

GENERAL PURPOSE ENGINE

**GX270UT
GX270RT
GX270UT2
GX270RT2**

PARTS CATALOGUE

5



GX270UT

FOREWORD INDEX

1

ENGINE GROUP

2

PART NUMBER INDEX

3

PART NAME INDEX

4

Instruction for use of parts catalogue

- **This parts catalogue was prepared based on the latest information available as of August 01, 2010.**
- See the parts catalogue news for any revision that is made after August 01, 2010.
- **Always specify the part number when ordering a part.**
- Check the model, type, serial numbers, color, maker, and the size as needed before ordering a part.
- Note that the illustrations (part drawings) can differ from the actual parts in shape. They are given just to help you to refer to the parts.
- **When modifications or additions to this parts catalogue are made, a revised edition will be issued at an appropriate time, with successively progressing revision numbers on the cover. We recommend obtaining such revisions in order to keep your parts catalogue up-to-date at all times. To check whether a parts catalogue revision has been issued, please contact your Honda distributor.**

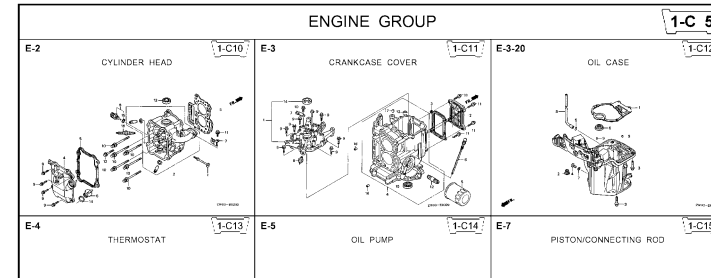
Initial version issue date June 01, 2005
Honda Motor Co., Ltd.

CONTENTS

	Page	Address No.	
● Instruction for use of parts catalogue	1	B 1	1
● How to refer to the part information	2	B 2	
● Part catalogue structure	3	B 3	
● When the parts were revised	4	B 4	
● Abbreviations used in the parts catalogue	4	B 4	
● How to check the part block and serial numbers	5	B 5	
● Models, parts catalogue codes and applicable serial numbers	6	B 6	
● Features of each type	11	B11	
● Fuel hose, general purpose hoses and vinyl hose	24	C 8	
● FLAT RATE SERVICE TIME	25	C 9	
● Illustrated index	30	C14	
● ENGINE GROUP	36	E 1	2
● PART NO. INDEX	142	L 1	3
● PART NAME INDEX	147	M 1	4

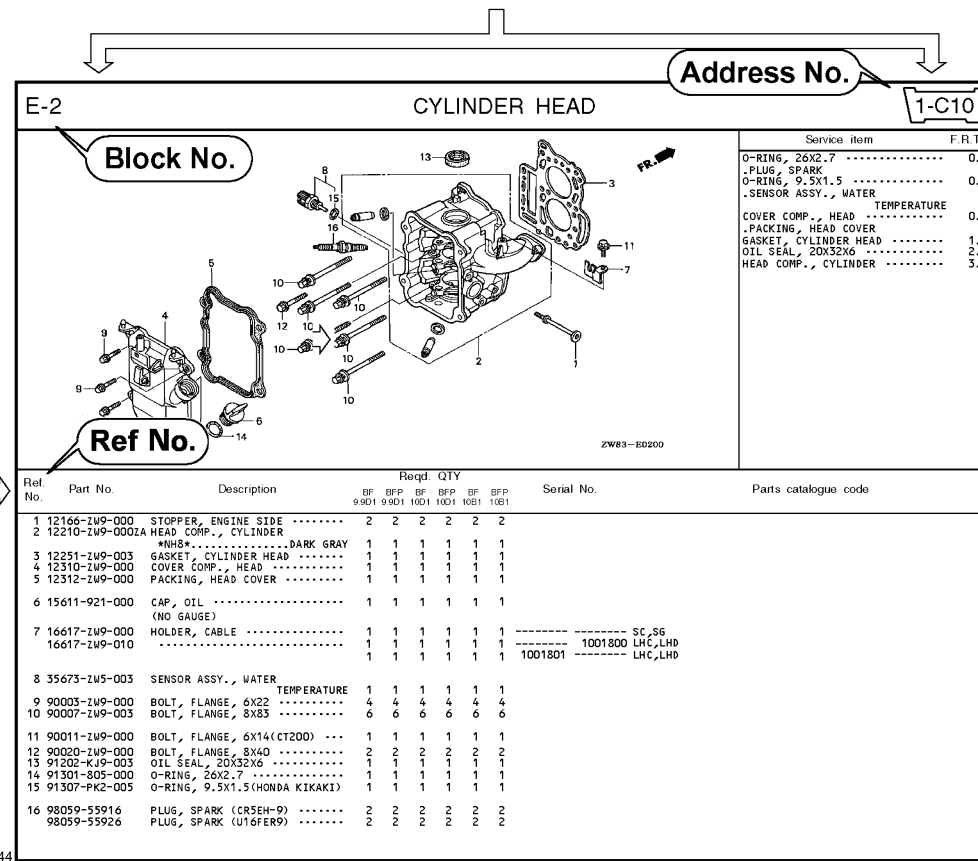
How to refer to the part information

A Reference with "Illustrated index"



B Reference with "Part number index"

PART NO. INDEX					
Part Number	Address	Page	Ref.	Part Number	Address Page
06000				15212-ZW9-000	1-C14 3C
06316-ZW9-000	1-69	88	1	15220-ZW9-003	1-C14 3C
11000				15332-ZW9-000	1-E8 55
11300-ZW9-405	1-C11	27	1	15332-ZW9-A30	1-E11 5E
11300-ZW9-406	1-C11	27	1	15400-PF8-004	1-C11 27
11340-ZW9-000	1-C11	27	2	15422-ZW9-000	1-C14 3C
11342-ZW9-000	1-C11	27	3	15473-881-000	1-C14 3C
11381-ZW9-003	1-C12	28	1	15474-ZW9-000	1-C14 3C
				15611-921-000	1-C10 2E
				15655-ZW9-000	1-C11 27
				16000	
12000				16010-ZV4-005	1-D4 3E
12000-ZW9-405ZA	1-C11	27	4	16011-ZV4-005	1-D4 3E
12155-ZV4-A00	1-C13	29	1	16013-ZW9-003	1-D4 3E
12166-ZW9-000	1-C10	26	1	16016-ZW9-003	1-D4 3E
12209-GB4-681	1-C16	32	1	16016-ZW9-721	1-D4 3E
12210-ZW9-405ZA	1-C10	26	2	16023-ZW9-003	1-D4 3E
12216-ZE2-300	1-E8	55	1	16024-ZV4-650	1-D4 3E
	1-E11	58	1	16028-ZV4-650	1-D4 3E



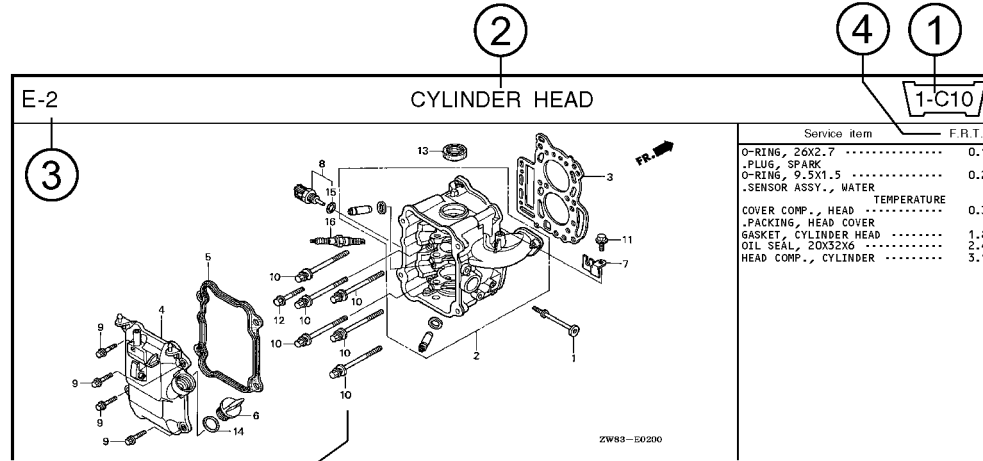
C Reference with "Part name index"

PART NAME INDEX					
Part name	Address	Page	Ref.		
[A]					
ABSORBER, FUEL	1-E15	62	5	BOLT,	
ARMATURE COMP.	1-D11	43	7	BOLT,	
ARM COMP., LINK JOINT	1-G6	85	18	BOLT,	
ARM COMP., SHIFT LINK	1-G6	85	14	BOLT,	
ARM COMP., TILT	1-F15	79	20		
ARM, FUEL PUMP ROCKER	1-C16	32	4		
ARM, REVERSE LOCK	1-F15	79	18		
ARM, SHIFT LINK	1-F11	74	7		
ARM, STOPPER	1-D1	33	12	BOLT,	
ARM, THROTTLE REMOTE	1-F11	74	6		
ARM, VALVE ROCKER	1-C16	32	3		
[B]					
BAG, TOOL, 160MM	1-G5	84	10		
BAND	1-G6	86	37		
BAND B1, WIRE	1-F6	69	1		
BAND, CORD	1-F3	67	18	BOLT,	
BAND, TUBE CLIP, 11MM	1-E15	63	20		
BAND, TUBE CLIP, 12.5MM	1-E15	63	19	BOLT,	

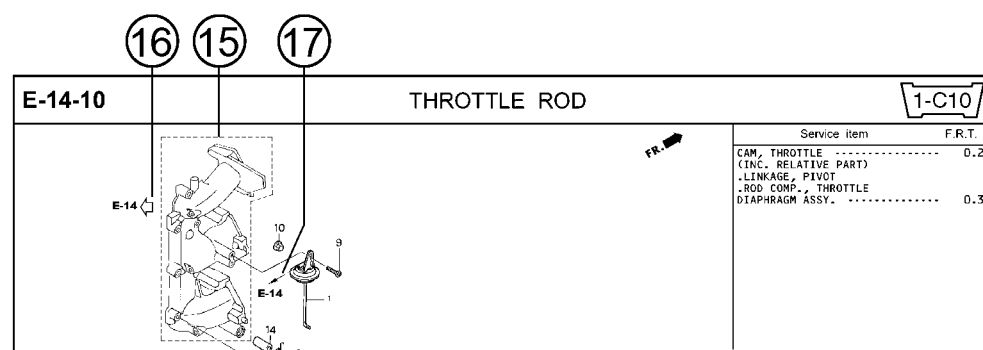
Page No.

2000.09.20 E

Part catalogue structure



Ref. No.	Part No.	Description	Reqd. QTY						Serial No.	Parts catalogue code
			BF 9/9D1	BFP 9/9D1	BF 10D1	BFP 10D1	BF 10B1	BFP 10B1		
1	12166-ZW9-000	STOPPER, ENGINE SIDE	2	2	2	2	2	2		
2	12210-ZW9-000ZA	HEAD COMP., CYLINDER *NHS* DARK GRAY	1	1	1	1	1	1		
3	12251-ZW9-003	GASKET, CYLINDER HEAD	1	1	1	1	1	1		
4	12310-ZW9-000	COVER COMP., HEAD	1	1	1	1	1	1		
5	12312-ZW9-000	PACKING, HEAD COVER	1	1	1	1	1	1		
6	15611-921-000	CAP, OIL (NO GAUGE)	1	1	1	1	1	1		
7	16617-ZW9-000	HOLDER, CABLE	1	1	1	1	1	1	----- SC,SG	
	16617-ZW9-010		1	1	1	1	1	1	----- 1001800 LHC,LHD	



- ① **Address number**
 - Address No. is provided (in place of the page No.) to help you refer to the part with the part No. or part name.
- ② **Block title** ③ **Block number**
- ④ **Service item/Flat rate time**
- ⑤ **Reference number**
 - Title number marked with the parenthesis or parentheses indicates that it continues from the previous page.
- ⑥ **Part number** ⑦ **Honda color code**
- ⑧ **Description**
- ⑨ **Assemblies**
 - Sections framed with broken lines in the exploded view drawings are available as complete assemblies. (Their individual parts can also be obtained.)
- ⑩ **Color description**
- ⑪ **Note**
 - Notes are shown with the parentheses in the part name column.
- ⑫ **Required quantity**
 - Required QTY shown in the parenthesis or parentheses indicates the optional part.
 - Required QTY marked with "N" Indicates the optional part that should be selected as needed.
 - Required QTY indicates the number of the part used in the block.
- ⑬ **Serial number**
- ⑭ **Type**
 - When the type column is blank, it indicates that the part is applicable to all types.
 - As the type of the actual unit may differ from the "parts catalogue, type" please refer to "Models, types and applicable serial numbers" for confirmation.
- ⑮ **[Dotted box]**
 - Parts enclosed within a dotted line [] are covered in a different block.
- ⑯ **[Hollow arrow]**
 - A hollow arrow [] indicates the block No. for the parts enclosed within a dotted line [] .
- ⑰ **[Solid arrow]**
 - A solid arrow [] indicates the block No. the part in question is connected to.

When the parts were revised

Abbreviations used in the parts catalogue

1



Be sure to check the serial number!!



Ref. No.	Part No.	Description	Reqd. QTY						Serial No.
			BF 99D1	BFP 9.9D1	BF 10D1	BFP 10D1	BF 10B1	BFP 10B1	
1	12166-ZW9-000	STOPPER, ENGINE SIDE	2	2	2	2	2	2	
2	12210-ZW9-000ZA	HEAD COMP., CYLINDER *NHS*	1	1	1	1	1	1	
3	12251-ZW9-003	GASKET, CYLINDER HEAD	1	1	1	1	1	1	
4	12310-ZW9-000	COVER COMP., HEAD	1	1	1	1	1	1	
5	12312-ZW9-000	PACKING, HEAD COVER	1	1	1	1	1	1	
6	15611-921-000	CAP, OIL (NO GAUGE)	1	1	1	1	1	1	
7	16617-ZW9-000	HOLDER, CABLE (###)	1	1	1	1	1	1	SC, SG LHC, LHD LHC, LHD
	16617-ZW9-010	1	1	1	1	1	1	

The number has been used from the initial model without revision.

When shown at the left side, it is applicable to the models of No.1001801 and the subsequent numbers.

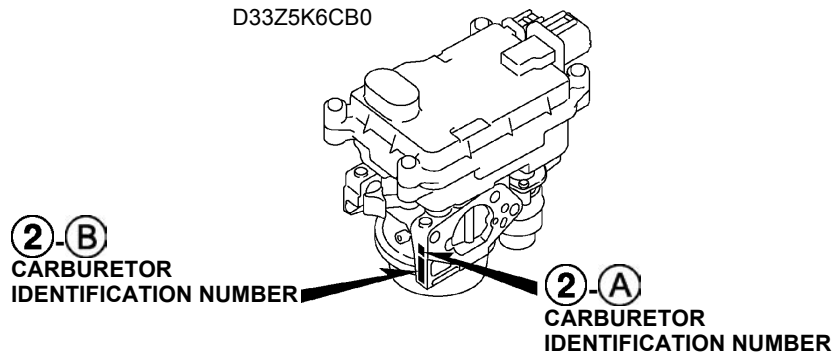
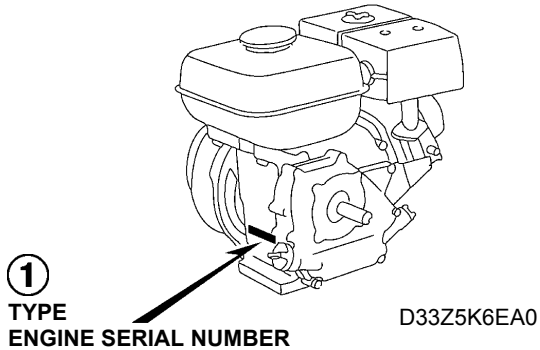
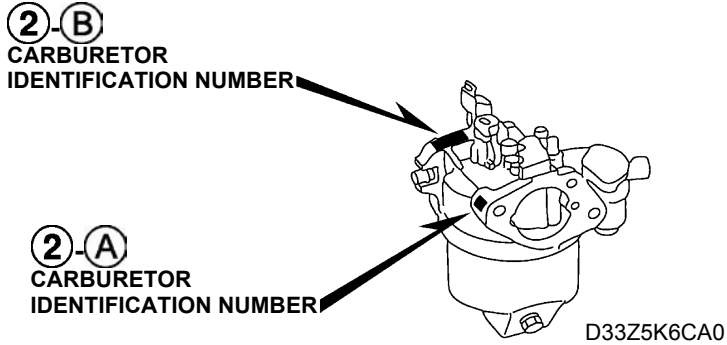
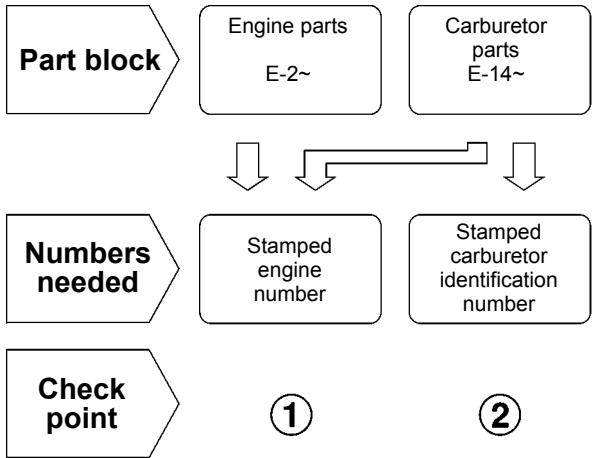
When shown at the right side, it is applicable to the models up to No.1001800.

• The parts listed with "###" at the end of the parts name have limited supply period (parts not for sale).

• The following abbreviations are used in the parts name column.

- A Ampere
- A.C. Alternating current
- ASSY. Assembly
- AT. Automatic transmission
- C.D.I. Capacitive discharge ignition
- COMP. ... Complete
- D.C. Direct current
- EX. Exhaust
- G.F.C.I ... Ground fault circuit interruptor
- HEX. Hexagonal
- H.S.T. Hydrostatic transmission
- FR.Front
- IN.Inlet
- L (100L) .Link (100 Links)
- L.Left
- MMMillimeter
- MT.Manual Transmission
- P.T.O.Power take off
- R.Right
- RR.Rear
- STD.Standard
- T (22T) ...Tooth (22 Teeth)
- VVolt
- WWatt

How to check the part block and serial numbers



Models, parts catalogue codes and applicable serial numbers

- Models, parts catalogue codes and applicable serial Nos. given in this parts catalogue can be identified as follows.

Model	Type	Parts catalogue type	Applicable engine serial No.	Applicable carburetor identification No.	Model	Type	Parts catalogue type	Applicable engine serial No.	Applicable carburetor identification No.
GX270UT	HA2	HA2	GCAJT-1000001~	BE78B A	GX270UT	QAE6	QAE6	GCAJT-1000001~	BE78B A
	HEA2	HEA2				QAG2	QAG2		
	HEA8	HEA8				QAQ4	QAQ4		
	HKS8	HKS8				QAR2	QAR2		
	HXQ4	HXQ4				QAW	QAW		
	HX26	HX26				QA2	QA2		
	HX8	HX8				QA26	QA26		
	LXE8	LXE8				QA4	QA4		
	LXQ4	LXQ4				QE	QE		
	LXU	LXU				QHB4	QHB4		
	PAE2	PAE2				QHQ4	QHQ4		
	PA2	PA2				QH26	QH26		
	PXED	PXED				QKE4	QKE4		
	PXE8	PXE8				QME2	QME2		
	PXU	PXU				QSC9	QSC9		
PX26	PX26	QSE8	QSE8						
QAE2	QAE2	QWA4	QWA4	BE78C A					

Model	Type	Parts catalogue type	Applicable engine serial No.	Applicable carburetor identification No.	Model	Type	Parts catalogue type	Applicable engine serial No.	Applicable carburetor identification No.
GX270UT	QWH2	QWH2	GCAJT-1000001~	BE78C A	GX270UT	RHE4	RHE4	GCAJT-1000001~	BE78B A
	QXB2	QXB2		BE78B A		RHG4	RHG4		
	QXB6	QXB6				RHQ4	RHQ4		
	QXB7	QXB7				RH26	RH26		
	QXB9	QXB9				RXQ4	RXQ4		
	QXCU	QXCU				RXU	RXU		
	QXC2	QXC2				SHQ4	SHQ4		
	QXC4	QXC4				SMC2	SMC2		
	QXC6	QXC6				SMC4	SMC4		
	QXC9	QXC9				SME1	SME1		
	QXE4	QXE4				SME6	SME6		
	QXE8	QXE8		SWA2		SWA2			
	QXQ4	QXQ4		SWA4		SWA4			
	QXU	QXU		SWC4		SWC4			
	QXUZ	QXUZ		SWS4		SWS4			
	RA2	RA2		SXB7		SXB7			
RHE2	RHE2	SXB9	SXB9						
			BE75A B / C						BE21B C BE76F A
			BE24B D BE75J A						BE78B A
			BE78C A						BE21A D / E BE75K A
			BE75A B / C						BE78B A
									BE78B A

Model	Type	Parts catalogue type	Applicable engine serial No.	Applicable carburetor identification No.	Model	Type	Parts catalogue type	Applicable engine serial No.	Applicable carburetor identification No.
GX270UT	SXE4	SXE4	GCAJT-1000001~	BE78B A	GX270UT	VS39	VS39	GCAJT-1000001~1163869	BE77R B / C
	SXE8	SXE8				VWA2	VWA2	GCAJT-1000001~	BE78B A
	SXQ4	SXQ4				VXB7	VXB7		
	SXU	SXU				VXB9	VXB9		
	VA2	VA2				VXE6	VXE6		
	VKQ4	VKQ4				VXE7	VXE7		
	VKX4	VKX4	VXE9	VXE9					
	VMA4	VMA4	VXQ4	VXQ4					
	VME4	VME4	VXU1	VXU1					
	VN17	VN17	VX2	VX2					
	VPX4	VPX4	GCAJT-1163870~	BE77W A					
	VPX5	VPX5				RSC2	RSC2		
	VPX9	VPX9				VAG2	VAG2		
	VSD7	VSD7				VDE2	VDE2		
	VSD9	VSD9	VKB2	VKB2		BE21F B / C			
	VSH7	VSH7	VKE4	VKE4		BE78B A			
VS37	VS37	VKX4	VKX4	BE77W A					
		VNT2	VNT2	BE21F B / C					
				BE78B A					

Model	Type	Parts catalogue type	Applicable engine serial No.	Applicable carburetor identification No.	Model	Type	Parts catalogue type	Applicable engine serial No.	Applicable carburetor identification No.
GX270RT	VN17	VN17	GCAJT-1163870~	BE78B A	GX270UT2	HX26	HX26	GCBGT-1000001~	BE21J A
	VPE2	VPE2		BE77V A		LXU	LXU		
	VPE4	VPE4		BE77U A		PAE2	PAE2		
	VPE5	VPE5		BE21F B / C		PA2	PA2		
	VPX4	VPX4		BE77R B / C		QAE2	QAE2		
	VPX5	VPX5		BE78B A		QAG2	QAG2		
	VPX9	VPX9		BE21F B / C		QAR2	QAR2		
	VSH7	VSH7		BE77R B / C		QAW	QAW		
	VS37	VS37		BE78B A		QA2	QA2		
	VS39	VS39		BE75K A		QA26	QA26		
	VWA2	VWA2		BE78B A		QA4	QA4		
	VWN2	VWN2		BE78B A		QE	QE		
	VWT4	VWT4				QHB4	QHB4		
VW12	VW12		QHQ4	QHQ4					
GX270UT2	HA2	HA2	GCBGT-1000001~	BE21J A	QH26	QH26		BE21J A	
	HEA2	HEA2			QKE4	QKE4			
	HKS8	HKS8							

Model	Type	Parts catalogue type	Applicable engine serial No.	Applicable carburetor identification No.	Model	Type	Parts catalogue type	Applicable engine serial No.	Applicable carburetor identification No.		
GX270UT2	QME2	QME2	GCBGT-1000001~	BE21J A	GX270UT2	SXB7	SXB7	GCBGT-1000001~	BE21J A		
	QXB7	QXB7				SXE4	SXE4				
	QXB9	QXB9				SXQ4	SXQ4				
	QXE4	QXE4				SXU	SXU				
	QXE8	QXE8				VA2	VA2				
	QXQ4	QXQ4				VKQ4	VKQ4				
	QXUZ	QXUZ				VSD7	VSD7				
	QZA2	QZA2		VXB7		VXB7	BE90A A				
	QZX4	QZX4		VXE7		VXE7					
	RA2	RA2		VXU1		VXU1	BE21J A				
	RHE4	RHE4		VZX7		VZX7					
	RHQ4	RHQ4		RSC2		RSC2					
	RH26	RH26		GX270RT2			VDE2			VDE2	BE21J A
	SHQ4	SHQ4					VKB2			VKB2	
	SMC4	SMC4					VNT2			VNT2	
SWA4	SWA4	VN17	VN17								
SWC4	SWC4	VWT4	VWT4	BE75L A							

* Of carburetor identification numbers, only the portions underlined in the example below are used for registration.

BE 78B A KC ナ
 (A) (B)

Features of each type

• See the following table for the features of each type. (Items in brackets are optional)

Specifications		Model	GX270UT													
		Type	HA2	HEA2	HEA8	HKS8	HXQ4	HX26	HX8	LXE8	LXQ4	LXU	PAE2	PA2	PXED	PXE8
Crankshaft	20mm Ø Spline		●	●	●	●	●	●	●	●	●					
	25mm Ø Straight															
	25.4mm Ø Straight															
	1" Thread											●	●	●	●	
	1/5" Tapered															
	3/16" Tapered															
Muffler	Standard		●	●	●							●	●			
	Silent				●	●	●	●	●	●	●			●	●	
	Generator															
Starter motor				●	●	●				●			●		●	●
Control box				●	●	●				●			●		●	●
Reduction	1/2 Reduction									●	●	●				
	1/2 Reduction (With clutch)															
	1/6 Reduction		●	●	●	●	●	●	●							
Muffler cover								(●)				(●)				



1

Specifications		Model	GX270UT													
		Type	PXU	PX26	QAE2	QAE6	QAG2	QAQ4	QAR2	QAW	QA2	QA26	QA4	QE	QHB4	QH4
Crankshaft	20mm Ø Spline															
	25mm Ø Straight															
	25.4mm Ø Straight			●	●	●	●	●	●	●	●	●	●	●	●	●
	1" Thread	●	●													
	1/5" Tapered															
	3/16" Tapered															
Muffler	Standard			●	●	●	●	●	●	●	●	●		●	●	
	Silent	●	●										●			
	Generator															
Starter motor				●	●											
Control box				●	●											
Reduction	1/2 Reduction															
	1/2 Reduction (With clutch)															
	1/6 Reduction															
Muffler cover								(●)					(●)	(●)	(●)	

Specifications		Model	GX270UT													
		Type	QH26	QKE4	QME2	QSC9	QSE8	QWA4	QWH2	QXB2	QXB6	QXB7	QXB9	QXCU	QXC2	QXC4
Crankshaft	20mm Ø Spline															
	25mm Ø Straight															
	25.4mm Ø Straight	●	●	●	●	●	●	●	●	●	●	●	●	●	●	●
	1" Thread															
	1/5" Tapered															
	3/16" Tapered															
Muffler	Standard	●														
	Silent		●	●	●	●	●	●	●	●	●	●	●	●	●	●
	Generator															
Starter motor			●	●	●	●				●						
Control box				●	●	●				●						
Reduction	1/2 Reduction															
	1/2 Reduction (With clutch)															
	1/6 Reduction															
Muffler cover			(●)	(●)				(●)		(●)		(●)	(●)		(●)	(●)

Specifications		Model	GX270UT													
		Type	QXC6	QXC9	QXE4	QXE8	QXQ4	QXU	QXUZ	RA2	RHE2	RHE4	RHG4	RHQ4	RH26	RXQ4
Crankshaft	20mm Ø Spline															
	25mm Ø Straight									●	●	●	●	●	●	●
	25.4mm Ø Straight	●	●	●	●	●	●	●								
	1" Thread															
	1/5" Tapered															
	3/16" Tapered															
Muffler	Standard								●	●	●			●	●	
	Silent	●	●	●	●	●	●	●								●
	Generator															
Starter motor				●	●					●	●					
Control box				●	●					●	●					
Reduction	1/2 Reduction															
	1/2 Reduction (With clutch)								●	●	●	●	●	●	●	●
	1/6 Reduction															
Muffler cover				(●)		(●)				(●)	(●)	(●)	(●)			(●)

Specifications		Model	GX270UT													
		Type	RXU	SHQ4	SMC2	SMC4	SME1	SME6	SWA2	SWA4	SWC4	SWS4	SXB7	SXB9	SXE4	SXE8
Crankshaft	20mm Ø Spline															
	25mm Ø Straight	●	●	●	●	●	●	●	●	●	●	●	●	●	●	●
	25.4mm Ø Straight															
	1" Thread															
	1/5" Tapered															
	3/16" Tapered															
Muffler	Standard		●							●	●					
	Silent	●		●	●	●	●	●	●			●	●	●	●	●
	Generator															
Starter motor						●									●	●
Control box						●									●	●
Reduction	1/2 Reduction															
	1/2 Reduction (With clutch)	●														
	1/6 Reduction															
Muffler cover			(●)	(●)	(●)	(●)	(●)	(●)	(●)	(●)	(●)	(●)	(●)	(●)	(●)	

1

Specifications		Model	GX270UT													
		Type	SXQ4	SXU	VA2	VKQ4	VKX4	VMA4	VME4	VN17	VPX4	VPX5	VPX9	VSD7	VSD9	VSH7
Crankshaft	20mm Ø Spline															
	25mm Ø Straight	●	●													
	25.4mm Ø Straight															
	1" Thread															
	1/5" Tapered				●		●	●								
	3/16" Tapered			●		●			●	●	●	●	●	●	●	●
Muffler	Standard			●	●		●	●								
	Silent	●	●						●				●	●	●	
	Generator					●				●						
Starter motor								●								
Control box																
Reduction	1/2 Reduction															
	1/2 Reduction (With clutch)															
	1/6 Reduction															
Muffler cover		(●)			(●)		(●)	(●)	(●)	(●)			(●)	(●)	(●)	

Specifications		Model	GX270UT										GX270RT			
		Type	VS37	VS39	VWA2	VXB7	VXB9	VXE6	VXE7	VXE9	VXQ4	VXU1	VX2	RSC2	VAG2	VDE2
Crankshaft	20mm Ø Spline															
	25mm Ø Straight												●			
	25.4mm Ø Straight															
	1" Thread															
	1/5" Tapered															
	3/16" Tapered	●	●	●	●	●	●	●	●	●	●	●	●		●	●
Muffler	Standard			●										●	●	
	Silent				●	●	●	●	●	●	●	●	●			
	Generator	●	●													
Starter motor							●	●	●							●
Control box							●	●	●							●
Reduction	1/2 Reduction															
	1/2 Reduction (With clutch)												●			
	1/6 Reduction															
Muffler cover		(●)			(●)	(●)		(●)	(●)	(●)						

Specifications		Model	GX270RT													
		Type	VKB2	VKE4	VKX4	VNT2	VN17	VPE2	VPE4	VPE5	VPX4	VPX5	VPX9	VSH7	VS37	VS39
Crankshaft	20mm Ø Spline															
	25mm Ø Straight															
	25.4mm Ø Straight															
	1" Thread															
	1/5" Tapered															
	3/16" Tapered	●	●	●	●	●	●	●	●	●	●	●	●	●	●	●
Muffler	Standard															
	Silent	●			●	●							●			
	Generator		●	●			●	●		●				●	●	
Starter motor		●	●				●	●	●							
Control box		●														
Reduction	1/2 Reduction															
	1/2 Reduction (With clutch)															
	1/6 Reduction															
Muffler cover						(●)	(●)	(●)		(●)			(●)	(●)		

Specifications		Model	GX270RT				GX270UT2								
		Type	VWA2	VWN2	VWT4	VW12	HA2	HEA2	HKS8	HX26	LXU	PAE2	PA2	QAE2	QAG2
Crankshaft	20mm Ø Spline					●	●	●	●	●					
	25mm Ø Straight														
	25.4mm Ø Straight												●	●	●
	1" Thread										●	●			
	1/5" Tapered														
	3/16" Tapered	●	●	●	●										
Muffler	Standard	●	●		●										
	Silent					●	●	●	●	●	●	●	●	●	●
	Generator														
Starter motor				●			●	●			●		●		
Control box							●	●			●		●		
Reduction	1/2 Reduction									●					
	1/2 Reduction (With clutch)														
	1/6 Reduction					●	●	●	●						
Muffler cover				(●)											

Specifications		Model	GX270UT2													
		Type	QAR2	QAW	QA2	QA26	QA4	QE	QHB4	QHQ4	QH26	QKE4	QME2	QXB7	QXB9	QXE4
Crankshaft	20mm Ø Spline															
	25mm Ø Straight															
	25.4mm Ø Straight	●	●	●	●	●	●	●	●	●	●	●	●	●	●	●
	1" Thread															
	1/5" Tapered															
	3/16" Tapered															
Muffler	Standard		●													
	Silent	●		●	●	●	●	●	●	●	●	●	●	●	●	●
	Generator															
Starter motor											●	●				●
Control box												●				●
Reduction	1/2 Reduction															
	1/2 Reduction (With clutch)															
	1/6 Reduction															
Muffler cover								(●)				(●)			(●)	

Specifications		Model	GX270UT2													
		Type	QXE8	QXQ4	QXUZ	QZA2	QZX4	RA2	RHE4	RHQ4	RH26	SHQ4	SMC4	SWA4	SWC4	SXB7
Crankshaft	20mm Ø Spline															
	25mm Ø Straight						●	●	●	●	●	●	●	●	●	●
	25.4mm Ø Straight	●	●	●	●	●										
	1" Thread															
	1/5" Tapered															
	3/16" Tapered															
Muffler	Standard															
	Silent	●	●	●	●	●	●	●	●	●	●	●	●	●	●	●
	Generator															
Starter motor		●			●	●		●								
Control box		●			●	●		●								
Reduction	1/2 Reduction															
	1/2 Reduction (With clutch)						●	●	●	●						
	1/6 Reduction															
Muffler cover						(●)							(●)		(●)	

1

Specifications		Model	GX270UT2									
		Type	SXE4	SXQ4	SXU	VA2	VKQ4	VSD7	VXB7	VXE7	VXU1	VZX7
Crankshaft	20mm Ø Spline											
	25mm Ø Straight	●	●	●								
	25.4mm Ø Straight											
	1" Thread											
	1/5" Tapered					●						
	3/16" Tapered				●		●	●	●	●	●	●
Muffler	Standard											
	Silent	●	●	●	●	●	●	●	●	●	●	●
	Generator											
Starter motor		●							●		●	
Control box		●							●		●	
Reduction	1/2 Reduction											
	1/2 Reduction (With clutch)											
	1/6 Reduction											
Muffler cover		(●)									(●)	

Specifications		Model	GX270RT2					
		Type	RSC2	VDE2	VKB2	VNT2	VN17	VWT4
Crankshaft	20mm Ø Spline							
	25mm Ø Straight	●						
	25.4mm Ø Straight							
	1" Thread							
	1/5" Tapered							
	3/16" Tapered		●	●	●	●	●	
Muffler	Standard							
	Silent	●	●	●	●	●		
	Generator							
Starter motor			●	●				●
Control box			●	●				
Reduction	1/2 Reduction							
	1/2 Reduction (With clutch)	●						
	1/6 Reduction							
Muffler cover						(●)	(●)	

Fuel hose, general purpose hoses and vinyl hose

- The standard part fuel hose, general purpose hose and vinyl hose may be substituted by the coiled bulk part.
- When ordering the standard part fuel hose, general purpose hose and vinyl hose use the bulk part number written in the parts catalog in brackets () underneath the part name.
- When exchanging the hose, cut and use at the specified length as mentioned in the part name.
(For the method of cutting the bulk part, and method of filling out orders etc., please refer to the instructions issued with the bulk part.)

Bulk part number of fuel hose, general purpose hose and vinyl hose.

Example: 9 5 0 0 1 - 7 5 0 0 1 - 5 0 M

Bulk part number:

Refers to the bulk part.

Marking code (fuel hose and general purpose hose)

Change code (Vinyl hose)

Indicates number mark or change sequence, however, the code for the bulk part must be strictly 0 (zero).

Types of code:

- | | | | | | |
|-------------|--|----------------|--|--------------|---|
| • Fuel hose | 2: Red outside braid
(3 mm inside dia. only) | • General hose | 1: Ash gray
2: Ash gray
3: Black
5: Black | • Vinyl hose | 1: Clear
2: Black
3: Light red
6: Light red
7: Pale black |
| | 5: Black inside braid | | | | |
| | 3: Red (3 mm inside dia. only) | | | | |
| | 4: Ash gray with red stripe
(3 mm inside dia. only) | | | | |
| | 6: Black | | | | |

Lengths:

- 001: 1 m (standard)
003: 3 m
008: 8 m } Application or specification of some parts is not settled.

I.D code: (fuel hose and general purpose hose)

- | | | | | |
|------------|--------------------|--------------------|-----------------------------|-----------------------------|
| 30: 3.0 mm | 50: 5.0 mm | 70: 7.0 mm | 11: 11 mm | 12: 12 (outside dia. 17) mm |
| 35: 3.5 mm | 55: 5.3 mm, 5.5 mm | 75: 7.3 mm, 7.5 mm | 91: 12 (outside dia. 15) mm | 14: 14 mm |
| 45: 4.5 mm | 65: 6.5 mm | 80: 8.0 mm | 92: 12 (outside dia. 16) mm | 17: 17 mm |

ID./OD. code: (vinyl hose)

- | | | | | |
|-------------------------|--------------------------|---------------------------|---------------------------|---------------------------|
| 01: ID. 2.9, OD. 6.8 mm | 12: ID. 5.0, OD. 7.0 mm | 21: ID. 8.0, OD. 9.0 mm | 37: ID. 11.0, OD. 15.0 mm | 50: ID. 16.0, OD. 19.0 mm |
| 03: ID. 3.0, OD. 6.0 mm | 10: ID. 5.0, OD. 8.0 mm | 23: ID. 8.0, OD. 12.0 mm | 38: ID. 12.0, OD. 13.0 mm | 55: ID. 17.5, OD. 20.5 mm |
| 05: ID. 3.5, OD. 6.5 mm | 11: ID. 5.0, OD. 9.0 mm | 25: ID. 9.0, OD. 11.0 mm | 39: ID. 12.0, OD. 14.0 mm | 60: ID. 22.0, OD. 27.0 mm |
| 07: ID. 4.0, OD. 7.0 mm | 14: ID. 6.0, OD. 9.0 mm | 27: ID. 9.0, OD. 13.0 mm | 40: ID. 12.0, OD. 16.0 mm | |
| 08: ID. 4.5, OD. 6.5 mm | 17: ID. 7.0, OD. 9.0 mm | 33: ID. 10.0, OD. 14.0 mm | 43: ID. 13.0, OD. 15.0 mm | |
| 09: ID. 4.5, OD. 8.0 mm | 19: ID. 7.0, OD. 11.0 mm | 36: ID. 11.0, OD. 13.0 mm | 45: ID. 14.0, OD. 18.0 mm | |

Hose type:

- 1: Fuel hose
3: Vinyl hose
5: General hose

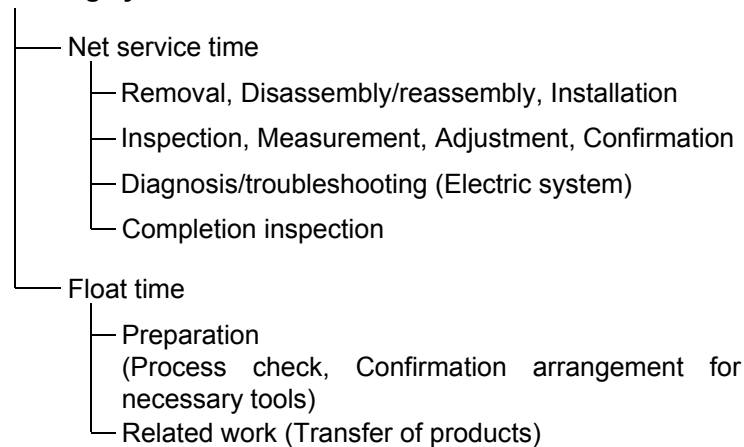
⊙ **CAUTION: It is DANGEROUS to confuse the fuel hose with the general purpose hose or vinyl hose.**

Never use a general purpose hose or vinyl hose in place of a fuel hose or vice versa. Always use the correct bulk part in the parts catalogue, according to the service manual or the instructions issued with the bulk part.

FLAT RATE SERVICE TIME

Flat rate service time (FRT) means the standard time required to service a product, which is listed in this manual to help the dealers control the actual working process and calculate the service charge by using it as a guide.

FRT setting system



* Float time is set by multiplying the net service time by a given coefficient.

Editorial style

The service items shown in the text are listed with the exchange work time for the repair sales parts as the subject. Other representative service items not using repair parts (removal/installation, adjustment, inspection/measuring, and other work) are listed collectively in the list in the preface, classified according to the work.

FRT setting standard

- Decimal system (in unit of 0.1) is adopted to set FRT as it is convenient to calculate the wage.
Example: (0.1) → 6 minutes, (0.2) → 12 minutes
[Labor cost per hour] x [FRT] = [Wage]
- FRT is set with a hand tool.
- Service items and FRT can be subject to change depending on development of tools and service equipment and improvement in service procedure.

Work procedure

- As the work procedure is set with the work time according to the method in the separate Service Manual, refer to this Manual as required.
- Work methods permitting servicing in the shortest time still permitting assurance of safe work and product warranty are used for the setting of service items not listed in the Service Manual.
- Work basically is to be performed by one person, and when two or more people are required, setting is done as the total time for the number of people.
- The set value for the technological level of the workers uses a person with three years of experience in the repair of Honda products as the standard.
- Special tools and service equipment used to set FRT are those specified or recommended in Service Manual.

Service item whose FRT is not presented

- Accessories and service parts that are not listed to use in this manual.
 - Locations with little aging deterioration or breakage during normal use.
 - Service work that can be finished by one touch.
 - Service work that is seldom done (i.e. extremely small causes of trouble and service frequency).
 - Products and parts whose location for installation differs according to its status of use and application.
- * When FRT is not presented, please calculate wages based on appropriate actual work time.

Operation not included of FRT

- Oil and coolant water draining, Waiting time for warming up operation and etc..
- Additional operation that involves removal/installation of standard exterior equipment.
- Indirect time spent for service by visiting the customer, trade-in, and delivery.
- Indirect time required for ordering and delivery of parts.
- Cost for grease, adhesive agent, etc. used for service work.

**Explanation of FRT by using an example
(The example may differ from the actual presented items)**

Ref. No.	L.O.N.	(Relative ref. Number) Description	F.R.T.
① ②	1111L1	(1, 3, 4, 7) VALVE, INTAKE4.1	②
③	1111L1A	• NOTE: OHV type • Includes: Engine removal and installation One head (intake all) add1.4	⑦ ⑤

- ① Reference No. of the illustration of part that shows location of the replacement work.
- ② FRT is an abbreviation of Flat Rate Time indicating the standard service time required for the replacement.
- ③ LON is an abbreviation of Labor Operation Number, and it is a classification of the service items by the work unit code.

The same operation code is used regardless of the models.

Standard operation is indicated with 6 digits code, and additional operation is indicated with 7 digits code.

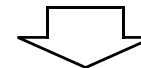
- ④ Indicating the intake valve replacement and FRT4.1.
- ⑤ Indicating FRT1.4 that will be added when additional operation (whole intake side of one cylinder head) is done in association with intake valve replacement.

- ⑥ Indicating work condition or application condition of the service item.
- ⑦ Indicating work contents that are included in the service item.
- ⑧ Indicating a reference No. whose operation and time are the same as FRT4.1 for the intake valve.

(The application range is limited to the service items without an LON setting within a same block.)

**How to refer to the service item by using the sample
(intake valve replacement)**

Open to the page of the block where the intake valve's spare part illustration is shown.



Look for the intake valve illustration, and refer to the service item and FRT that agree with the reference No.

Indication mark for the listing of service items that continues to the following page

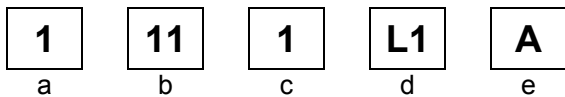
Ref. No.	L.O.N.	(Relative ref. Number) Description	F.R.T.
2	1111L1	VALVE, INTAKE	4.1
	.	.	.
	.	.	.

+
Mark indicated at the last line.

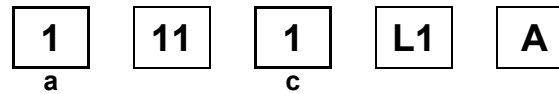
Indication of the block with no setting of FRT

Ref. No.	L.O.N.	(Relative ref. Number) Description	F.R.T.
NO INFORMATION			

• LON code system



- a) Category code..... Engine
- b) Location/function code Engine upper
- c) Operation code..... Replace
- d) Operation sequence number (Unit code can be shown with alphabet)
..... Intake valve
(No regular rule of code)
- e) Additional code One head (intake all)
(No regular rule of code)



a) Category codes and classification

Code	Category
1	Engine
2	Power drive
3	Fuel & Exhaust
4	Frame & Body
5	Steering
6	Electrical
7	Axle & Brake
8	Control system
9	-
0	Attachments

c) Operation codes and classification

Code	Operation category
1	Replace, Removal/Installation, Change
2	Overhaul
3	Adjust, Rotation
4	(Paint-related work: Top-coat)
5	Test, Inspect/diagnose, Measurement
6	(Overhaul-related work: Rebore)
7	(Overhaul-related work: Reseal)
8	(Resurface)
9	(Paint-related work: Refinish)
0	Repair, Cleaning, Air bleeding

Major service items without using spare parts

- (1) Removal/Installation, (2) Adjustment,
(3) Inspection/Masurement, (4) Overhaul, (5) Other work

E: Engine, T: Transmission, D: Drive system,
B: Body and related parts

(1) Removal/Installation

Set with the parts configuration in the status of being removed from the product.

	LON	DESCRIPTION	FRT
E	1111L3	CYLINDER HEAD ASSEMBLY-REMOVAL/INSTALLATION	0.5
	1111L3B	iGX type add	0.2

(2) Adjustment

	LON	DESCRIPTION	FRT
E	1113A1	VALVE CLEARANCE-ADJUSTMENT NOTE: For 1 product	0.3
	1163A0	CONTROL, THROTTLE/GOVERNOR-ADJUSTMENT	0.2
	3113A2	CARBURETOR IDLE-ADJUSTMENT	0.2

(3) Inspection, Measurement, Cleaning

	LON	DESCRIPTION	FRT
E	1105A0	ENGINE OIL-INSPECTION	0.1
	3120A0	AIR CLEANER-CLEANING INCLUDES: Air cleaner-inspection	0.1
	3130A0	SPARK ARRESTER-CLEANING INCLUDES: Spark arrester-inspection	0.2
	6140A0	SPARK PLUG-ADJUSTMENT/CLEANING INCLUDES: Spark plug check NOTE: For 1 product	0.1

(4) Overhaul

Work condition: The required Measurements, inspections, adjustments, and cleaning/washing of each part are performed, including the main body removal/installation work and the replacement of defective parts.

	LON	DESCRIPTION	FRT
E	3112A0	CARBURETOR-OVERHAUL INCLUDES: All necessary adjustment	0.5
	3112A0A	iGX type add	0.2

(5) Other work

	LON	DESCRIPTION	FRT
E	1101E1	ENGINE OIL-CHANGE INCLUDES: Engine oil-inspection	0.1

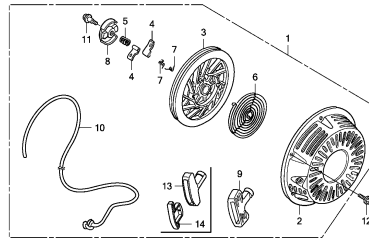
ENGINE GROUP

C15

E-11

RECOIL STARTER(1)

F 8

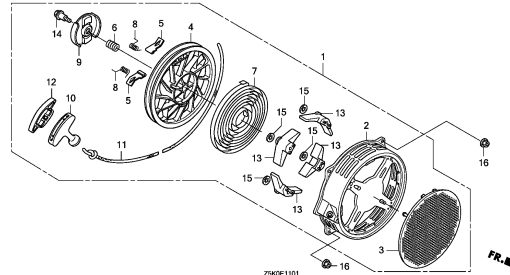


FR. →

E-11-1

RECOIL STARTER(2)

F12



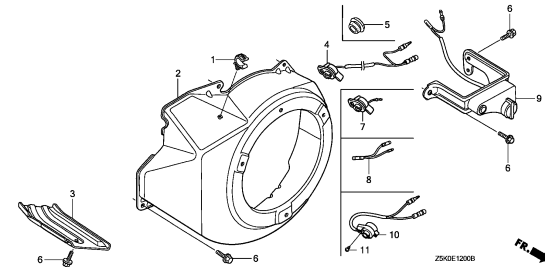
ZSK0E1101

FR. →

E-12

FAN COVER(1)

F13



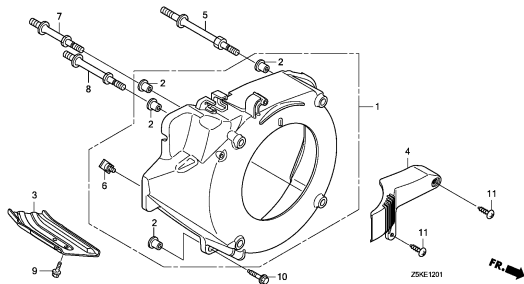
ZSK0E1200B

FR. →

E-12-1

FAN COVER(2)

F15



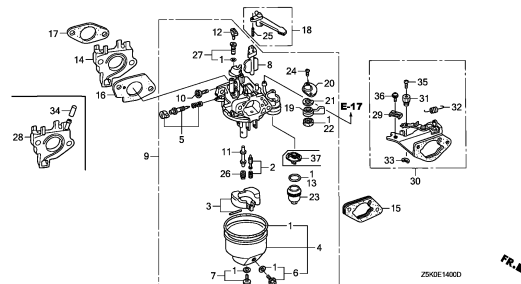
ZSK0E1201

FR. →

E-14

CARBURETOR(1)

F16



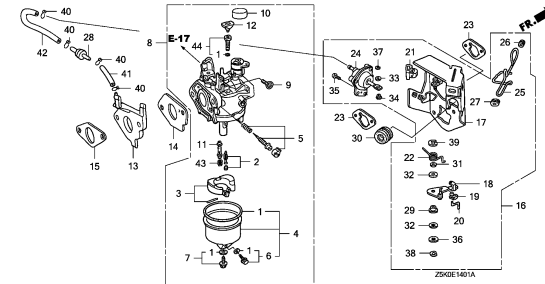
ZSK0E1400D

FR. →

E-14-1

CARBURETOR(2)

G 9



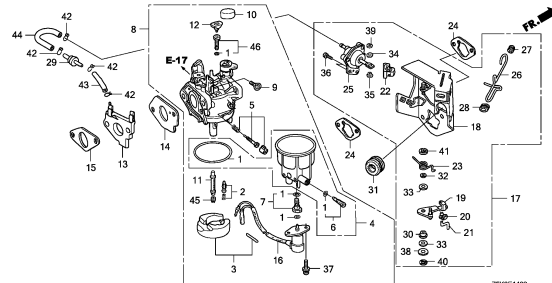
ZSK0E1401A

FR. →

E-14-2

CARBURETOR(3)

G11



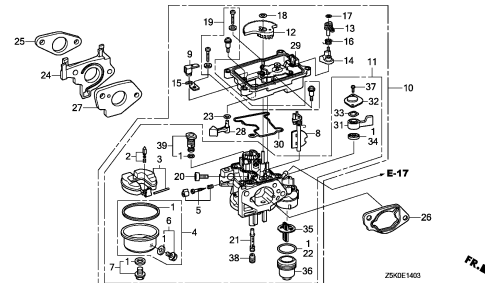
ZSK0E1402

FR. →

E-14-3

CARBURETOR(4)

G13



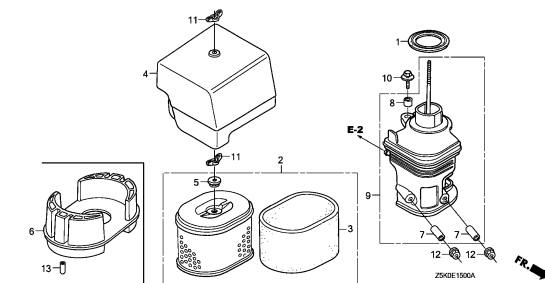
ZSK0E1403

FR. →

E-15

AIR CLEANER(1)

G15



ZSK0E1500A

FR. →

2

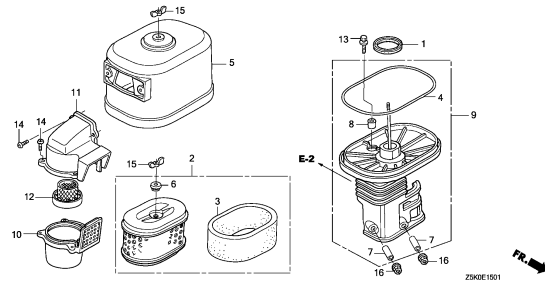
ENGINE GROUP

C16

E-15-1

AIR CLEANER(2)

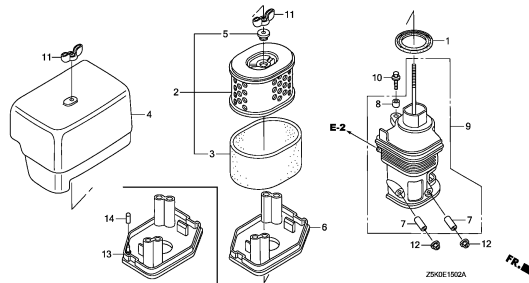
H 1



E-15-2

AIR CLEANER(3)

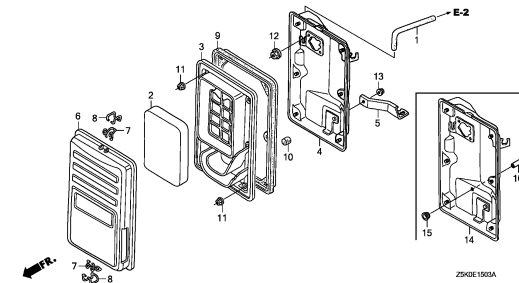
H 2



E-15-3

AIR CLEANER(4)

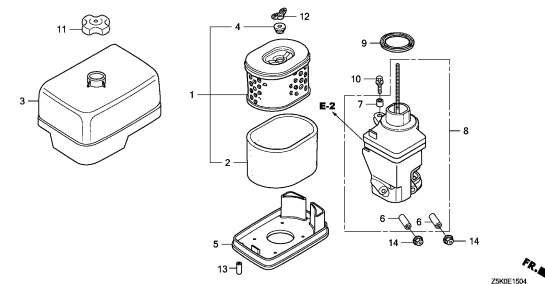
H 3



E-15-4

AIR CLEANER(5)

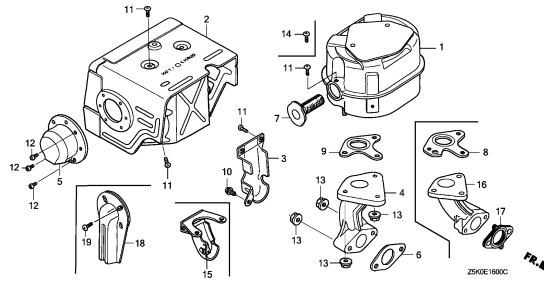
H 4



E-16

MUFFLER(1)

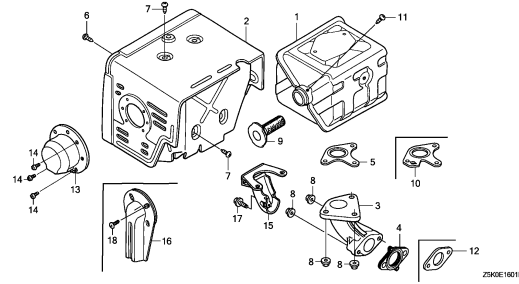
H 7



E-16-1

MUFFLER(2)

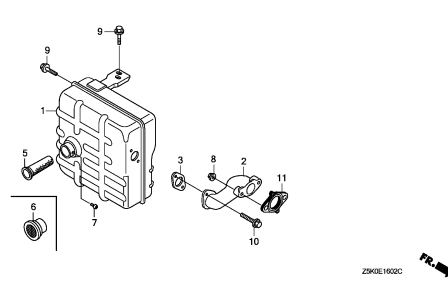
H 9



E-16-2

MUFFLER(3)

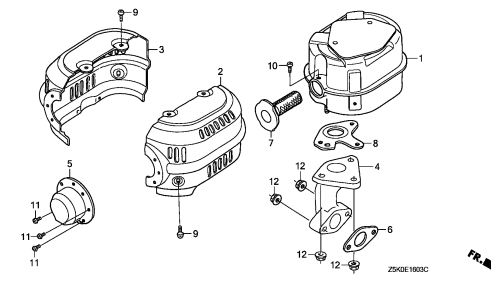
H11



E-16-3

MUFFLER(4)

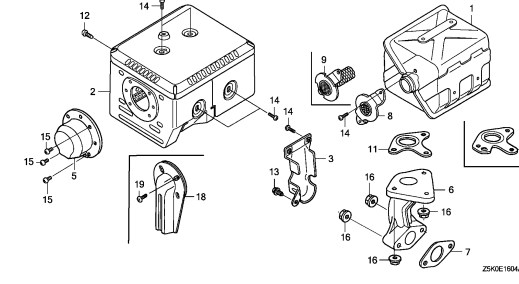
H12



E-16-4

MUFFLER(5)

H13



2

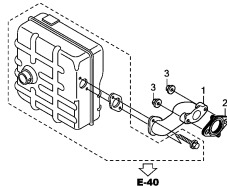
ENGINE GROUP

D 1

E-16-10

EXHAUST PIPE

H15



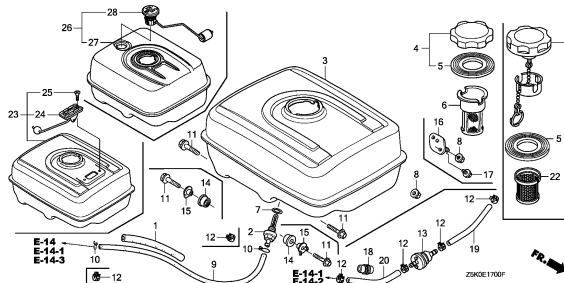
Z5K0E1610A

FR. →

E-17

FUEL TANK

H16



E-14
E-14-1
E-14-3

E-14-2

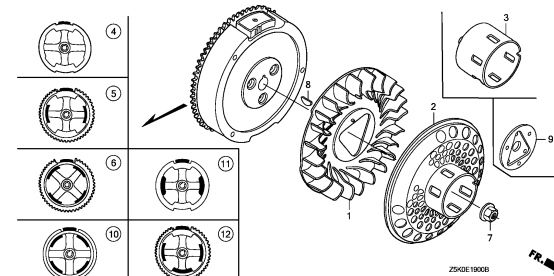
Z5K0E1700F

FR. →

E-19

FLYWHEEL

I 5



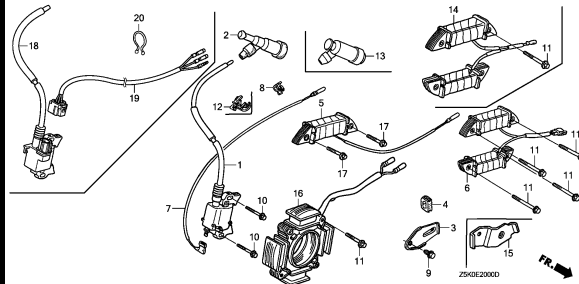
Z5K0E1900B

FR. →

E-20

IGNITION COIL(1)

I 7



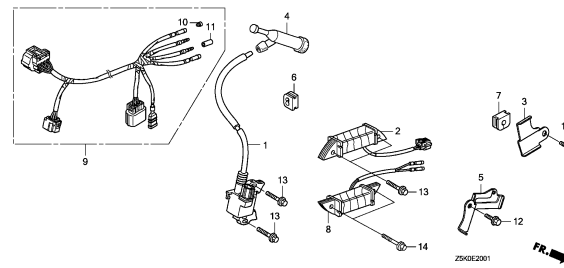
Z5K0E2000D

FR. →

E-20-1

IGNITION COIL(2)

I10



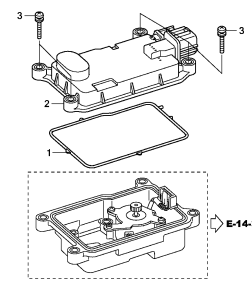
Z5K0E2001

FR. →

E-20-10

ELECTRONIC CONTROL UNIT

I11



E-14-3

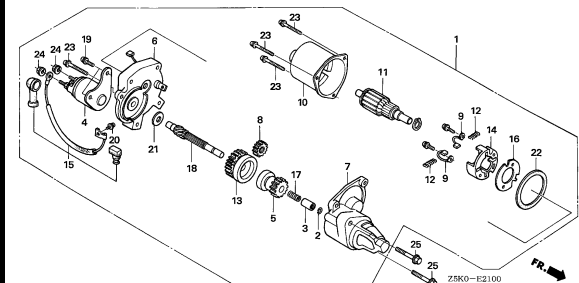
Z5K0E2010

FR. →

E-21

STARTER MOTOR(1)

I12



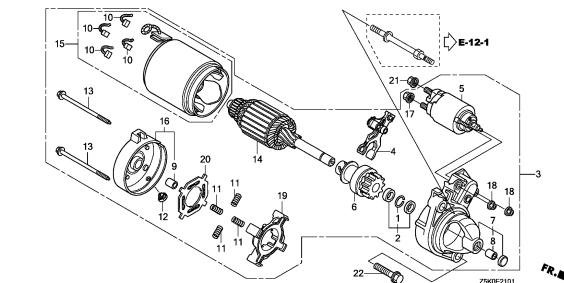
Z5K0E-E2100

FR. →

E-21-1

STARTER MOTOR(2)

I15



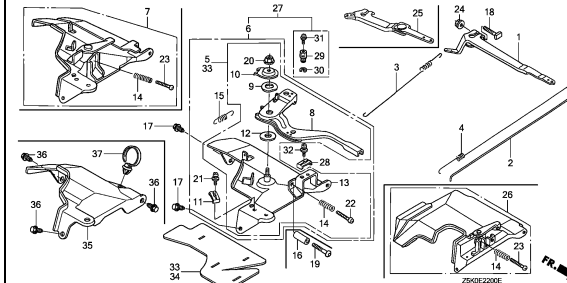
Z5K0E2101

FR. →

E-22

CONTROL

I16



Z5K0E2200E

FR. →

2

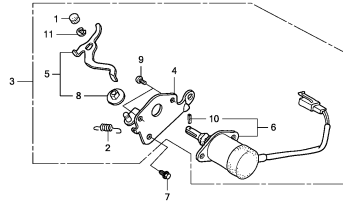
ENGINE GROUP

D 2

E-22-10

AUTO THROTTLE

J 5

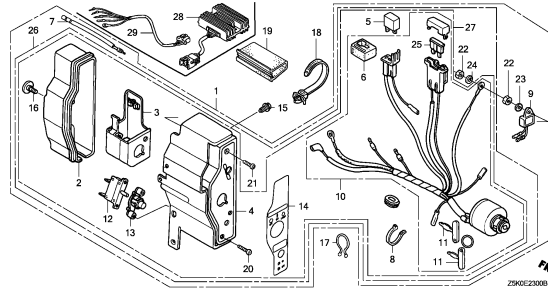


FR. →
Z5K0E2210

E-23

CONTROL BOX(1)

J 6

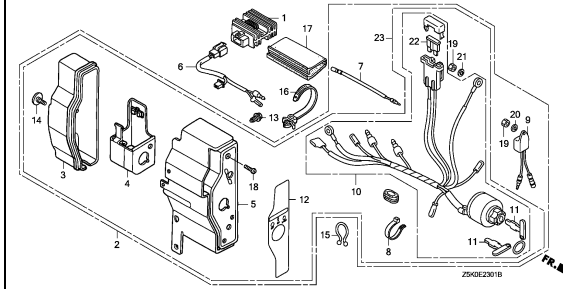


FR. →
Z5K0E23001

E-23-1

CONTROL BOX(2)

J 9

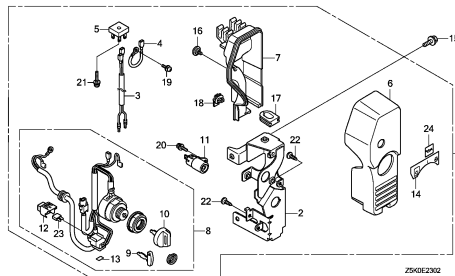


FR. →
Z5K0E23018

E-23-2

CONTROL BOX(3)

J11

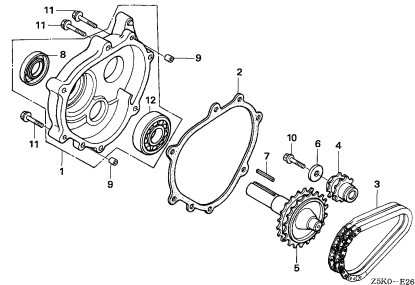


FR. →
Z5K0E2302

E-26

REDUCTION(1/2)

J12

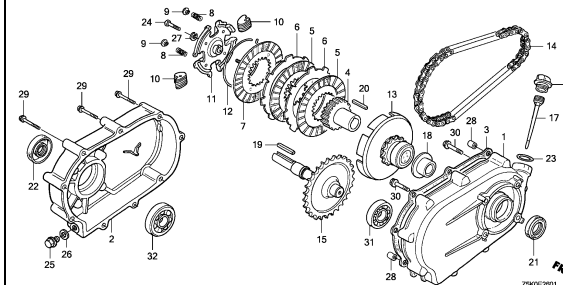


FR. →
Z5K0E2600

E-26-1

REDUCTION(1/2)(CLUTCH)

J13

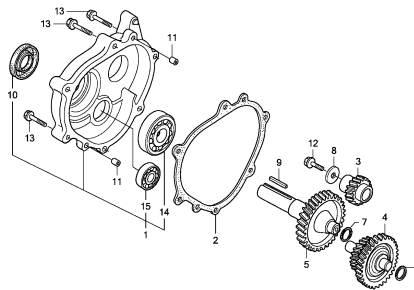


FR. →
Z5K0E2601

E-26-2

REDUCTION(1/6)

J15

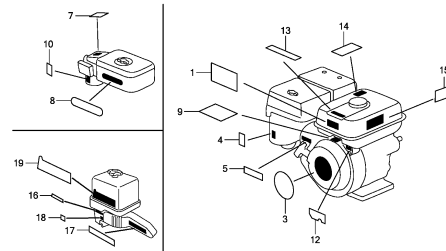


FR. →
Z5K0E2602

E-28

LABEL

J16

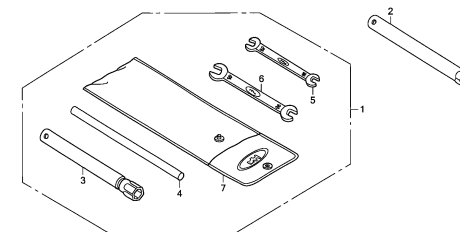


Z5K0E2800E

E-29

TOOL

K 3



Z5K0E2900

2

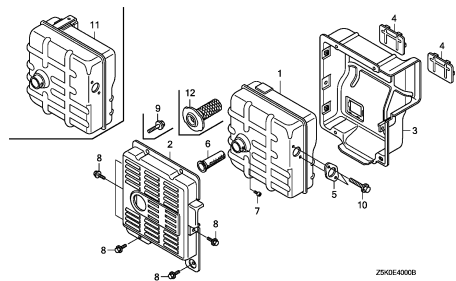
ENGINE GROUP

D 3

E-40

K 4

OTHER PARTS(MUFFLER)

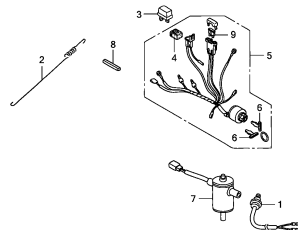


Z5K014000B

E-40-1

K 5

OTHER PARTS (COMBINATION SWITCH)

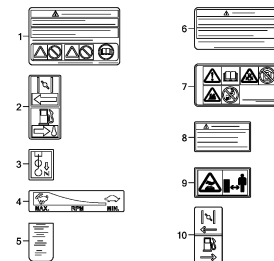


Z5K024001

E-40-2

K 6

OTHER PARTS(LABEL)

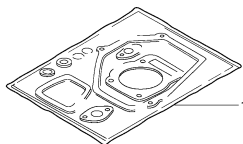


Z5K014000B

EOP-1

K 8

GASKET KIT

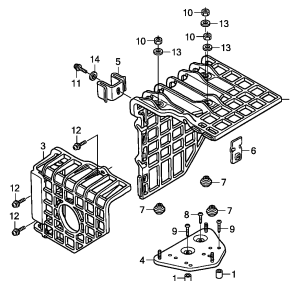


11ENG-X0003

EOP-2

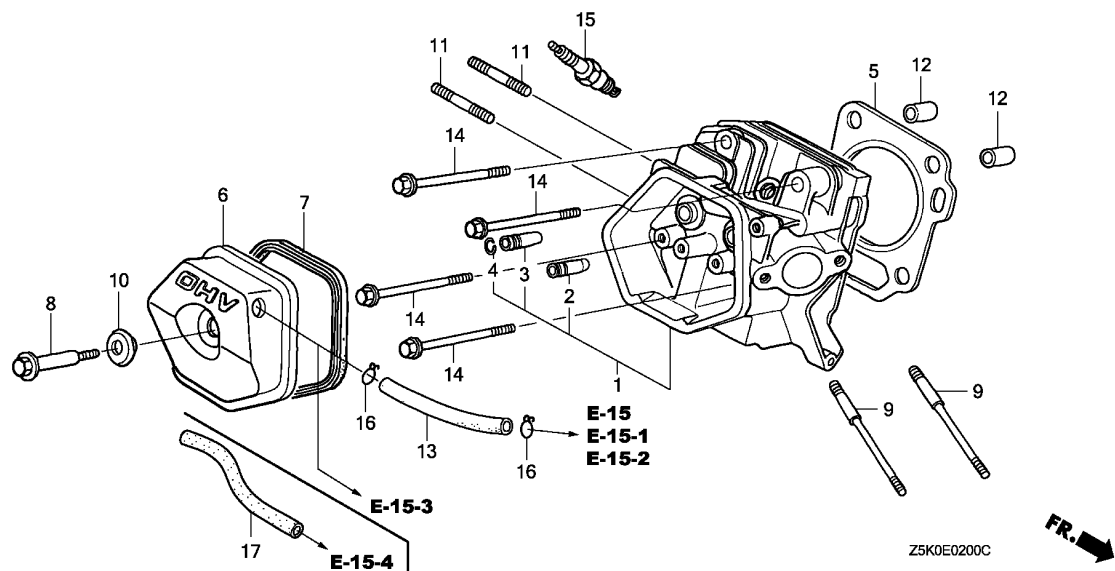
K 9

MUFFLER COVER



Z5K020200A

2

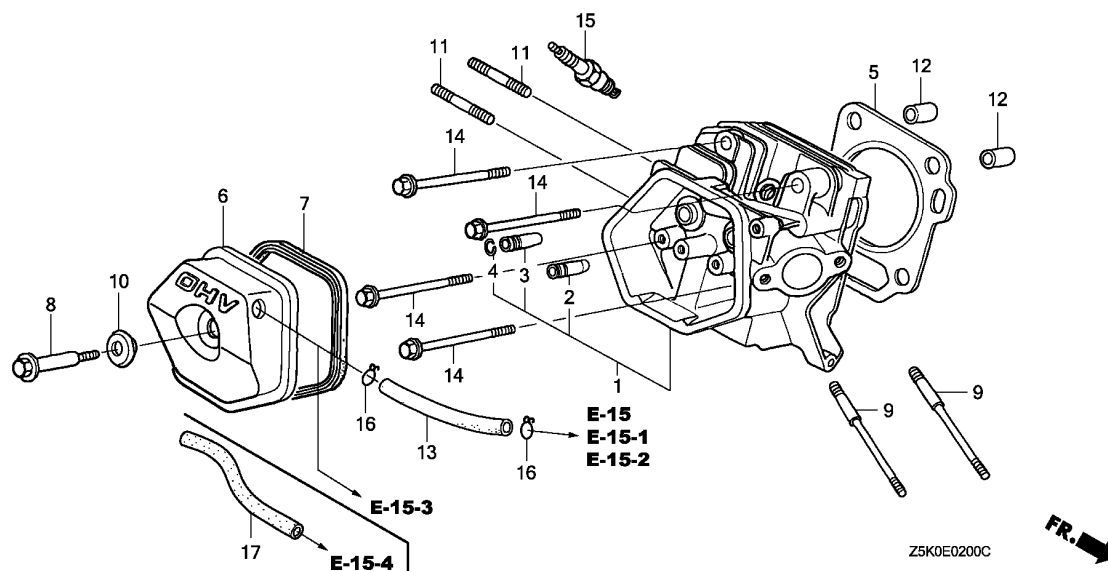


Ref. No.	L.O.N.	(Relative ref. Number) Description	F.R.T.
1	1111N3	HEAD, CYLINDER .INCLUDES: Valve clearance adjustment and reface	0.9
	1111N3C	.iGX type add	0.2
2	1111E9	GUIDE, INTAKE VALVE .INCLUDES: Valve clearance adjustment	0.8
	1111E9E	.Replace intake and exhaust all add	0.2
	1111E9H	.iGX type add	0.2
3	1111E8	GUIDE, EXHAUST VALVE .INCLUDES: Valve clearance adjustment	0.8
	1111E8E	.Replace intake and exhaust all add	0.2
	1111E8H	.iGX type add	0.2
5	1111N4	GASKET, CYLINDER HEAD	0.5
	1111N4C	.iGX type add	0.2
6	1111D5	(?) COVER, CYLINDER HEAD AND/OR PACKING, HEAD COVER	0.1
13	1111K5	(17) TUBE, BREATHER	0.2
15	6141C1	PLUG, SPARK .INCLUDES: Spark plug check	0.1

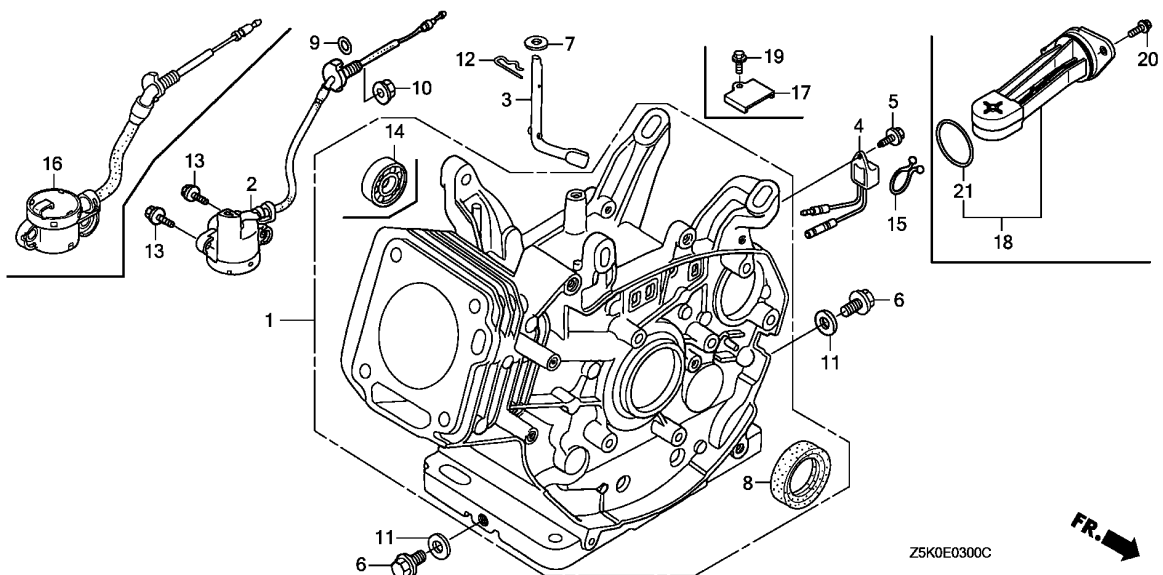
Ref. No.	Part No.	Description	Reqd. QTY				Serial No.	Parts catalogue code
			GX 270	GX 270	GX 270	GX 270		
1	12200-Z1D-405	HEAD COMP., CYLINDER	1	1	-	-		
	12210-Z5K-405		-	-	1	1		
2	12204-ZE2-306	GUIDE, IN. VALVE (OS)	1	1	1	1		
3	12205-ZE2-305	GUIDE, EX. VALVE (OS)	1	1	1	1		
4	12216-ZE2-300	CLIP, VALVE GUIDE	1	1	1	1		
5	12251-ZH9-000	GASKET, CYLINDER HEAD	1	-	-	-	1027579 LXE8, LXU, PXE8, PXU, QAG2, QA2, QA26, QHQ4, QH26, QSE8, QXB7, QXC9, QXE8, QXQ4, QXU, SHQ4, SXE8, SXQ4, SXU, VXU1	
	12251-Z1D-801	GASKET, CYLINDER HEAD (THAI LEAKLESS)	1	-	-	-	HA2, HEA2, HEA8, HKS8, HXQ4, HX26, HX8, LXQ4, PAE2, PA2, PXED, PX26, QAE2, QAE6, QAQ4, QAR2, QAW, QA4, QE, QHB4, QKE4, QME2, QSC9, QWA4, QWH2, QXB2, QXB6, QXB9, QXCU, QXC2, QXC4, QXC6, QXE4, QXUZ, RA2, RHE2, RHE4, RHG4, RHQ4, RH26, RXQ4, RXU, SMC2, SMC4, SME1, SME6, SWA2, SWA4, SWC4, SWS4, SXB7, SXB9, SXE4, VA2, VKQ4, VKX4, VMA4, VME4, VN17, VPX4, VPX5, VPX9, VSD7, VSD9, VSH7, VS37, VS39, VWA2, VXB7, VXB9, VXE6, VXE7, VXE9, VXQ4, VX2	
			1	-	-	-	1027580 LXE8, LXU, PXE8, PXU, QAG2, QA2, QA26, QHQ4, QH26, QSE8, QXB7, QXC9, QXE8, QXQ4, QXU, SHQ4, SXE8, SXQ4, SXU, VXU1	
	12251-Z5K-003	GASKET, CYLINDER HEAD	-	1	-	-		
6	12310-ZE2-020	COVER COMP., HEAD	1	-	-	-	HA2, HEA2, HEA8, HKS8, HXQ4, HX26, HX8, LXE8, LXQ4, LXU, PAE2, PA2, PXED, PXE8, PXU, PX26, QAE2, QAE6, QAG2, QAQ4, QAR2, QAW, QA2, QA26, QA4, QE, QHB4, QHQ4, QH26, QKE4, QME2, QSE8, QXB2, QXB6, QXB7, QXB9, QXE4, QXE8, QXQ4, QXU, QXUZ, RA2, RHE2, RHE4, RHG4, RHQ4, RH26, RXQ4, RXU, SHQ4, SMC2, SMC4, SME1, SME6, SWA2, SWA4, SWC4, SWS4, SXB7, SXB9, SXE4, SXE8, SXQ4, SXU, VA2, VKQ4, VKX4, VN17, VPX4, VPX5, VPX9, VSD7, VSD9, VSH7, VS37, VS39, VWA2, VXB7, VXB9, VXE6, VXE7, VXE9, VXQ4, VXU1, VX2	
	12310-Z5T-000	COVER, CYLINDER HEAD	-	1	-	-		

Ref. No.	Part No.	Description	Reqd. QTY				Serial No.	Parts catalogue code
			GX 270 UT	GX 270 RT	GX 270 UT2	GX 270 RT2		
(6)	12310-ZE3-791	COVER COMP., HEAD (BREATHER TUBE JOINT)	1	-	-	-	-----	QSC9,QWA4,QWH2,QXCU,QXC2,QXC4,QXC6,QXC9,VMA4,VME4
7	12391-ZE2-020	PACKING, HEAD COVER	1	1	1	1		
8	90014-ZE2-000	BOLT, HEAD COVER	1	1	-	-		
	90014-Z5T-000	-	-	1	1		
9	90042-ZE2-000	BOLT, STUD, 8X123	2	2	2	-	-----	HA2,HEA2,HEA8,HKS8,HXQ4,HX26,HX8,LXE8,LXQ4,LXU,PAE2,PA2,PXED PXE8,PXU,PX26,QAE2,QAE6,QAG2,QAQ4,QAR2,QAW,QA2,QA26,QA4,QE QHB4,QHQ4,QH26,QKE4,QME2,QSC9,QSE8,QWA4,QWH2,QXB2,QXB6,QXB7 QXB9,QXCU,QXC2,QXC4,QXC6,QXC9,QXE4,QXE8,QXQ4,QXU,QXUZ,RA2,RHE2 RHE4,RHG4,RHQ4,RH26,RSC2,RXQ4,RXU,SHQ4,SMC2,SMC4,SME1,SME6 SWA2,SWA4,SWC4,SWS4,SXB7,SXB9,SXE4,SXE8,SXQ4,SXU,VAG2,VA2,VDE2 VKB2,VKQ4,VMA4,VME4,VNT2,VN17,VSD7,VSD9,VSH7,VWA2,VWN2,VWT4 VW12,VXB7,VXB9,VXE6,VXE7,VXE9,VXQ4,VXU1,VX2
			2	-	-	-	-----	1135766 VKX4,VPX4,VPX5,VPX9,VS37,VS39
	90042-ZE2-700	BOLT, STUD, 8X98	2	-	-	-	-----	1135767 VKX4,VPX4,VPX5,VPX9,VS37,VS39
	90042-ZE8-000	BOLT, STUD, 8X131.5	-	2	-	-	-----	VKE4,VKX4,VPE2,VPE4,VPE5,VPX4,VPX5,VPX9,VS37,VS39
10	90441-ZE2-010	WASHER COMP., HEAD COVER	1	1	1	1	-----	QZA2,QZX4,VZX7
11	92900-08032-0E	BOLT, STUD, 8X32	2	2	-	-	-----	HA2,HEA2,HEA8,HKS8,HXQ4,HX26,HX8,LXE8,LXQ4,LXU,PAE2,PA2,PXED PXE8,PXU,PX26,QAE2,QAE6,QAG2,QAQ4,QAR2,QAW,QA2,QA26,QA4,QE QHB4,QHQ4,QH26,QKE4,QME2,QSC9,QSE8,QWA4,QWH2,QXB2,QXB6,QXB7 QXB9,QXCU,QXC2,QXC4,QXC6,QXC9,QXE4,QXE8,QXQ4,QXU,QXUZ,RA2,RHE2 RHE4,RHG4,RHQ4,RH26,RSC2,RXQ4,RXU,SHQ4,SMC2,SMC4,SME1,SME6 SWA2,SWA4,SWC4,SWS4,SXB7,SXB9,SXE4,SXE8,SXQ4,SXU,VAG2,VA2,VDE2 VKB2,VKE4,VKQ4,VKX4,VMA4,VME4,VNT2,VN17,VPE2,VPE4,VPX4,VSD7 VSD9,VSH7,VS37,VS39,VWA2,VWN2,VWT4,VW12,VXB7,VXB9,VXE6,VXE7 VXE9,VXQ4,VXU1,VX2
			2	-	-	-	-----	1103077 VPX5,VPX9
	90018-ZK6-P10	BOLT, STUD, 8X22	2	-	-	2	-----	1103078 VPX5,VPX9
			-	2	-	-	-----	VPE5,VPX5,VPX9
12	94301-12200	DOWEL PIN, 12X20	2	2	2	2		
13	95005-11100-30	TUBE, 11X100(95005-11001-30M)	1	1	-	-	-----	HA2,HEA2,HEA8,HKS8,HXQ4,HX26,HX8,LXE8,LXQ4,LXU,PAE2,PA2,PXED PXE8,PXU,PX26,QAE2,QAE6,QAG2,QAQ4,QAR2,QAW,QA2,QA26,QA4,QE QHB4,QHQ4,QH26,QKE4,QME2,QSE8,QXB2,QXB6,QXB7,QXB9,QXE4,QXE8 QXQ4,QXU,QXUZ,RA2,RHE2,RHE4,RHG4,RHQ4,RH26,RSC2,RXQ4,RXU,SHQ4 SMC2,SMC4,SME1,SME6,SWA2,SWA4,SWC4,SWS4,SXB7,SXB9,SXE4,SXE8 SXQ4,SXU,VAG2,VA2,VDE2,VKB2,VKQ4,VNT2,VN17,VSD7,VSD9,VSH7,VWA2 VWN2,VWT4,VW12,VXB7,VXB9,VXE6,VXE7,VXE9,VXQ4,VXU1,VX2
	12315-ZE3-840	TUBE, BREATHER	1	-	-	-	-----	QSC9,QWA4,QWH2,QXCU,QXC2,QXC4,QXC6,QXC9,VMA4,VME4
14	95701-10080-00	BOLT, FLANGE, 10X80	4	4	4	4		
15	98079-55846	PLUG, SPARK (BPR5E)(NGK) ...	(1)	(1)	(1)	-	-----	HA2,HEA2,HEA8,HKS8,HXQ4,HX26,HX8,LXQ4,PAE2,PA2,PX26,QAE2,QAE6 QAQ4,QAR2,QAW,QE,QSC9,QWA4,QWH2,QXB6,QXB9,QXC2,QXC4,QXC6,QXE4 QZA2,QZX4,RA2,RHE2,RHE4,RHG4,RHQ4,RH26,RSC2,RXQ4,RXU,SWA2,SWA4 SWC4,SWS4,SXB7,SXB9,SXE4,VAG2,VA2,VDE2,VKB2,VKE4,VKQ4,VMA4 VME4,VNT2,VN17,VPE2,VPE4,VPE5,VSD7,VSD9,VSH7,VWA2,VWN2,VWT4 VW12,VXB7,VXB9,VXE6,VXE7,VXE9,VXQ4,VX2,VZX7
	98079-55855	PLUG, SPARK (W16EPR-U)(DENSO)	(1)	(1)	(1)	-	-----	HA2,HEA2,HEA8,HKS8,HXQ4,HX26,HX8,LXQ4,PAE2,PA2,PX26,QAE2,QAE6 QAQ4,QAR2,QAW,QE,QSC9,QWA4,QWH2,QXB6,QXB9,QXC2,QXC4,QXC6,QXE4 QZA2,QZX4,RA2,RHE2,RHE4,RHG4,RHQ4,RH26,RSC2,RXQ4,RXU,SWA2,SWA4 SWC4,SWS4,SXB7,SXB9,SXE4,VAG2,VA2,VDE2,VKB2,VKQ4,VMA4,VME4 VNT2,VN17,VSD7,VSD9,VSH7,VWA2,VWN2,VWT4,VW12,VXB7,VXB9,VXE6 VXE7,VXE9,VXQ4,VX2,VZX7
			-	1	-	-	-----	VKE4,VPE2,VPE4,VPE5
			-	-	-	(1)	-----	





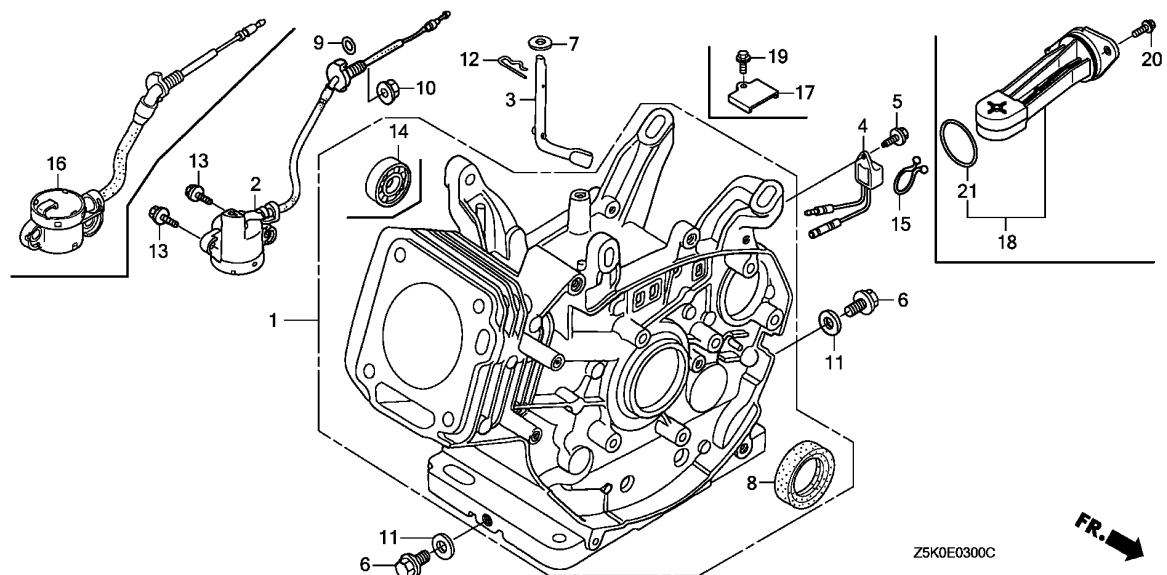
Ref. No.	Part No.	Description	Reqd. QTY				Serial No.	Parts catalogue code
			GX 270	GX 270	GX 270	GX 270		
15)	98079-55876	PLUG, SPARK (BPR5ES) (NGK) ...	1	1	-	-	VKX4, VPX4, VPX5, VPX9, VS37, VS39	
			(1)	1	(1)	-	LXE8, LXU, PXED, PXE8, PXU, QAG2, QA2, QA26, QA4, QHB4, QHQ4, QH26, QSE8, QXB2, QXB7, QXCU, QXC9, QXE8, QXQ4, QXU, QXUZ, SHQ4, SXE8, SXQ4, SXU, VKE4, VPE2, VPE4, VPE5, VXU1	
	98079-56876	PLUG, SPARK (BPR6ES)	1	1	-	-	HA2, HEA2, HEA8, HKS8, HXQ4, HX26, HX8, LXE8, LXQ4, LXU, PAE2, PA2, PXED, PXE8, PXU, PX26, QAE2, QAE6, QAG2, QAQ4, QAR2, QAW, QA2, QA26, QA4, QE, QHB4, QHQ4, QH26, QKE4, QME2, QSC9, QSE8, QWA4, QWH2, QXB2, QXB6, QXB7, QXB9, QXCU, QXC2, QXC4, QXC6, QXC9, QXE4, QXE8, QXQ4, QXU, QXUZ, RA2, RHE2, RHE4, RHG4, RHQ4, RH26, RSC2, RXQ4, RXU, SHQ4, SMC2, SMC4, SME1, SME6, SWA2, SWA4, SWC4, SWS4, SXB7, SXB9, SXE4, SXE8, SXQ4, SXU, VAG2, VA2, VDE2, VKB2, VKQ4, VMA4, VME4, VNT2, VN17, VSD7, VSD9, VSH7, VWA2, VWN2, VWT4, VW12, VXB7, VXB9, VXE6, VXE7, VXE9, VXQ4, VXU1, VX2	
			-	-	1	1		
16	17316-611-000	CLIP, BREATHER TUBE	2	-	-	-	QSC9, QWA4, QWH2, QXCU, QXC2, QXC4, QXC6, QXC9, VMA4, VME4	
17	12357-Z5T-010	TUBE, BREATHER	-	-	1	1		



Ref. No.	L.O.N.	(Relative ref. Number) Description	F.R.T.
1	1101A0	BARREL, CYLINDER	1.8
	1101A0G	.iGX type add	0.2
2		(9,16)	
	6151E8	SWITCH, OIL LEVEL	0.5
3	1161B4	SHAFT, GOVERNOR ARM	1.1
	1161B4D	.iGX type add	0.2
4	6151A0	ALERT UNIT, ENGINE OIL	0.1
8	1101E4	OIL SEAL, CRANKSHAFT :FRONT ..	1.1
	1101E4C	.iGX type add	0.2
14	1101F4	BEARING, BALANCER WEIGHT	
		:FRONT	1.9
	1101F4C	.iGX type add	0.2
18		(21)	
	6151N6	SWITCH, OIL LEVEL(A)	0.2
		.NOTE: iGX type	

Ref. No.	Part No.	Description	Reqd. QTY				Serial No.	Parts catalogue code
			GX 270	GX 270	GX 270	GX 270		
1	12000-ZH9-Q00	BARREL ASSY., CYLINDER (BALANCER+ALERT)	1	1	-	-	HA2,PA2,QAQ4,QAR2,QAW,RA2,RSC2,VA2,VNT2,VWN2,VW12	
	12000-ZH9-405	BARREL ASSY., CYLINDER (STD.)	1	-	-	-	QE,RHQ4,RHQ4,RH26,VKQ4	
	12000-ZH9-406	BARREL ASSY., CYLINDER (ALERT)	1	1	-	-	HXQ4,HX26,HX8,LXQ4,PX26,QWA4,QWH2,QXB9,QXC2,QXC4,QXC6,RXQ4,RXU SMC2,SMC4,SME6,SWA2,SWA4,SWC4,SWS4, SXB7, SXB9, VAG2, VMA4, VSD9	
	12000-ZH9-407	BARREL ASSY., CYLINDER (SELFSTARTER+ALERT)	1	1	-	-	QKE4,QME2,QXE4,SME1,SXE4,VKE4,VME4,VPE2,VPE4,VPE5,VWT4,VXE6 VXE7,VXE9	
	12000-Z1D-Q00	BARREL ASSY., CYLINDER (BALANCER+ALERT)	1	1	-	-	QA2,QA26,QA4,VWA2	
	12000-Z1D-Q10	BARREL ASSY., CYLINDER	1	1	-	-	HEA2,HEA8,HKS8,PAE2,QAE2,QAE6,QSC9,QXB6,VDE2,VKB2	
	12000-Z1D-405	BARREL ASSY., CYLINDER (STD.)	1	-	-	-	QHB4,QHQ4,QH26,SHQ4	
	12000-Z1D-406	BARREL ASSY., CYLINDER (ALERT)	1	1	-	-	LXU,PXU,QAG2,QXB2,QXB7,QXCU,QXC9,QXQ4,QXU,QXUZ, SXQ4, SXU, VKX4 VN17,VPX4,VPX5,VPX9,VSD7,VSH7,VS37,VS39,VXB7,VXB9,VXQ4,VXU1 VX2	
	12000-Z1D-407	BARREL ASSY., CYLINDER (SELFSTARTER+ALERT)	1	-	-	-	LXE8,PXED,PXE8,QSE8,QXE8,SXE8	
	12000-Z1D-408	BARREL ASSY., CYLINDER	1	-	-	-	RHE2,RHE4	
	12000-Z5K-Q00	-	-	1	1	HA2,PA2,QAQ4,QAR2,QAW,QA2,QA26,QA4,RA2,RSC2,VA2,VNT2	
	12000-Z5K-Q10	-	-	1	1	HEA2,HEA8,HKS8,PAE2,QAE2,VDE2,VKB2	
	12000-Z5K-405	-	-	1	-	QE,QHB4,QHQ4,QH26,RHQ4,RH26,SHQ4,VKQ4	
	12000-Z5K-406	-	-	1	1	HX26,LXU,QAG2,QXB7,QXB9,QXQ4,QXUZ,SMC4,SWA4,SWC4, SXB7, SXQ4, SXU VN17,VSD7,VXB7,VXU1	
	12000-Z5K-407	-	-	1	1	QKE4,QME2,QXE4,QXE8,SXE4,VWT4,VXE7	
	12000-Z5K-408	-	-	1	-	RHE4	
	12000-Z5K-Q20	-	-	1	-	QZX4,VZX7	
	12000-Z5K-Q60	-	-	1	-	QZA2	
2	15510-ZE2-043	SWITCH ASSY., OIL LEVEL	1	-	-	-	1066801 LXE8,LXU,PXE8,PXU,QAG2,QA2,QA26,QSE8,QXB7,QXC9,QXE8,QXQ4,QXU SXE8, SXQ4, SXU, VXU1	

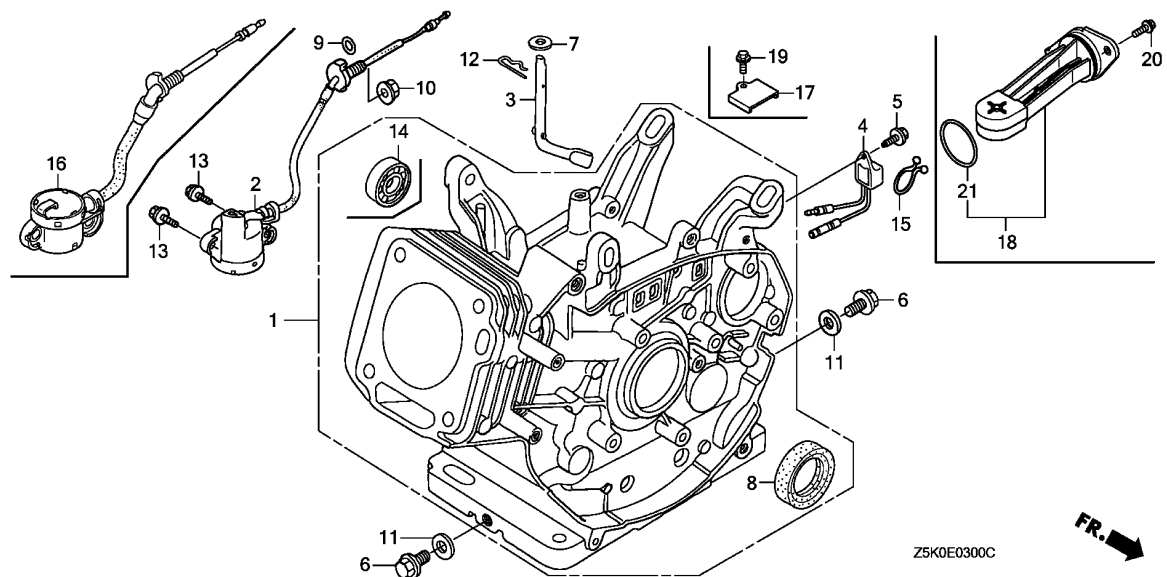




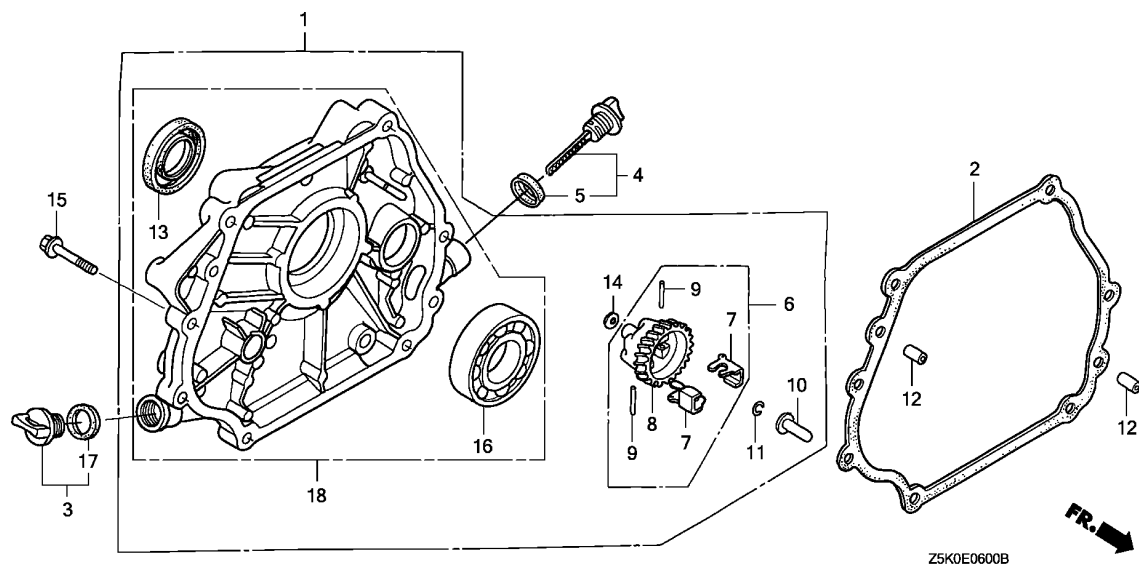
Ref. No.	Part No.	Description	Reqd. QTY				Serial No.	Parts catalogue code
			GX 270 UT	GX 270 RT	GX 270 UT2	GX 270 RT2		
(2)	15510-ZE2-053	SWITCH ASSY., OIL LEVEL	1	-	-	-	HEA2,HEA8,HX26,PAE2,QAE2,QAE6,QME2,QSC9,QXB6,QXE4,SME1,SXE4,VXE6,VXE7,VXE9	
3	16541-ZE2-010	SHAFT, GOVERNOR ARM	1	1	-	1	HA2,HEA2,HKS8,HX26,LXU,PAE2,PA2,QAE2,QAG2,QAQ4,QAR2,QAW,QA2,QA26,QA4,QE,QHB4,QHQ4,QH26,QKE4,QME2,QXB7,QXB9,QXE4,QXE8,QXQ4,QXUZ,RA2,RHE4,RHQ4,RH26,SHQ4,SMC4,SWA4,SWC4, SXB7, SXE4, SXQ4, SXU, VA2, VKQ4, VSD7, VXB7, VXE7, VXU1	
4	34150-ZH7-003	ALERT UNIT, OIL	1	-	-	-	LXU,PXU,QAG2,QA2,QA26,QXB7,QXC9,QXQ4,QXU, SXQ4, SXU, VKX4, VN17, VPX4, VPX5, VPX9, VSD7, VSH7, VS37, VS39, VWA2, VXB7, VXB9, VXQ4, VXU1, VX2	
	34150-ZH7-013	1	1	-	-	HA2, HXQ4, HX26, HX8, LXQ4, PA2, PX26, QAQ4, QAR2, QAW, QA4, QKE4, QWA4, QWH2, QXB2, QXB9, QXC2, QXC4, QXC6, QXUZ, RA2, RSC2, RXQ4, RXU, SMC2, SMC4, SME6, SWA2, SWA4, SWC4, SWS4, SXB7, SXB9, VAG2, VA2, VKE4, VMA4, VME4, VNT2, VPE2, VPE4, VPE5, VSD9, VWN2, VWT4, VW12, VKX4, VN17, VPX4, VPX5, VPX9, VSH7, VS37, VS39, VWA2	
5	90013-883-000	BOLT, FLANGE, 6X12(CT200) ...	1	1	-	-	HA2, HXQ4, HX26, HX8, LXQ4, LXU, PA2, PXU, PX26, QAG2, QAQ4, QAR2, QAW, QA2, QA26, QA4, QKE4, QWA4, QWH2, QXB2, QXB7, QXB9, QXC2, QXC4, QXC6, QXC9, QXQ4, QXU, QXUZ, RA2, RSC2, RXQ4, RXU, SMC2, SMC4, SME6, SWA2, SWA4, SWC4, SWS4, SXB7, SXB9, SXQ4, SXU, VAG2, VA2, VKE4, VKX4, VMA4, VME4, VNT2, VN17, VPE2, VPE4, VPE5, VPX4, VPX5, VPX9, VSD7, VSD9, VSH7, VS37, VS39, VWA2, VWN2, VWT4, VW12, VXB7, VXB9, VXQ4, VXU1, VX2	
6	90131-883-000	BOLT, DRAIN PLUG, 12X15	2	2	2	2		
7	90446-KE1-000	WASHER, 8.2X17X0.8	1	1	-	1		
			-	-	1	-	HA2,HEA2,HKS8,HX26,LXU,PAE2,PA2,QAE2,QAG2,QAQ4,QAR2,QAW,QA2,QA26,QA4,QE,QHB4,QHQ4,QH26,QKE4,QME2,QXB7,QXB9,QXE4,QXE8,QXQ4,QXUZ,RA2,RHE4,RHQ4,RH26,SHQ4,SMC4,SWA4,SWC4, SXB7, SXE4, SXQ4, SXU, VA2, VKQ4, VSD7, VXB7, VXE7, VXU1	

Ref. No.	Part No.	Description	Reqd. QTY				Serial No.	Parts catalogue code
			GX 270 UT	GX 270 RT	GX 270 UT2	GX 270 RT2		
8	91201-Z1D-003	OIL SEAL, 30X46X8	1	1	-	-	HEA2,HEA8,HKS8,LXE8,LXU,PAE2,PXED,PXE8,PXU,QAE2,QAE6,QAG2,QA2,QA26,QA4,QHB4,QHQ4,QH26,QSC9,QSE8,QXB2,QXB6,QXB7,QXCU,QXC9,QXE8,QXQ4,QXU,QXUZ,RHE2,RHE4,SHQ4,SXE8, SXQ4, SXU, VDE2, VKB2, VKX4, VN17, VPX4, VPX5, VPX9, VSD7, VSH7, VS37, VS39, VWA2, VXB7, VXB9, VXQ4, VXU1, VX2	
	91201-890-003	1	1	-	1	HA2, HX26, PA2, QAQ4, QAR2, QAW, QE, QKE4, QME2, QXB9, QXE4, RA2, RHQ4, RSC2, RXQ4, RXU, SMC2, SMC4, SME1, SME6, SWA2, SWA4, SWC4, SWS4, SXB7, SXB9, SXE4, VAG2, VA2, VKE4, VKQ4, VMA4, VME4, VNT2, VPE2, VPE4, VPE5, VSD9, VWN2, VWT4, VW12, VXE6, VXE7, VXE9	
			-	-	1	-	HXQ4, HX8, LXQ4, PX26, QWA4, QWH2, QXC2, QXC4, QXC6, RHG4, RH26, LXU	
9	91353-671-004	O-RING, 14MM(NOK)	1	-	1	-	HA2,HEA2,HEA8,HKS8,HXQ4,HX26,HX8,LXE8,LXQ4,LXU,PAE2,PA2,PXED,PXE8,PXU,PX26,QAE2,QAE6,QAG2,QAQ4,QAR2,QAW,QA2,QA26,QA4,QKE4,QME2,QSC9,QSE8,QWA4,QWH2,QXB2,QXB6,QXB7,QXB9,QXCU,QXC2,QXC4,QXC6,QXC9,QXE4,QXE8,QXQ4,QXU,QXUZ,RA2,RXQ4,RXU,SMC2,SMC4,SME1,SME6,SWA2,SWA4,SWC4,SWS4,SXB7,SXB9,SXE4,SXE8, SXQ4, SXU, VA2, VKX4, VMA4, VME4, VN17, VPX4, VPX5, VPX9, VSD7, VSD9, VSH7, VS37, VS39, VWA2, VXB7, VXB9, VXE6, VXE7, VXE9, VXQ4, VXU1, VX2	
10	94050-10000	NUT, FLANGE, 10MM	1	-	1	-	HA2,HEA2,HEA8,HKS8,HXQ4,HX26,HX8,LXE8,LXQ4,LXU,PAE2,PA2,PXED,PXE8,PXU,PX26,QAE2,QAE6,QAG2,QAQ4,QAR2,QAW,QA2,QA26,QA4,QKE4,QME2,QSC9,QSE8,QWA4,QWH2,QXB2,QXB6,QXB7,QXB9,QXCU,QXC2,QXC4,QXC6,QXC9,QXE4,QXE8,QXQ4,QXU,QXUZ,RA2,RXQ4,RXU,SMC2,SMC4,SME1,SME6,SWA2,SWA4,SWC4,SWS4,SXB7,SXB9,SXE4,SXE8, SXQ4, SXU, VA2, VKX4, VMA4, VME4, VN17, VPX4, VPX5, VPX9, VSD7, VSD9, VSH7, VS37, VS39, VWA2, VXB7, VXB9, VXE6, VXE7, VXE9, VXQ4, VXU1, VX2	
11	94109-12000	WASHER, DRAIN PLUG, 12MM	2	2	2	2		
12	94251-10000	PIN, LOCK, 10MM	1	1	-	1		
13	95701-06012-00	BOLT, FLANGE, 6X12	2	-	2	-	HA2,HEA2,HEA8,HKS8,HX26,LXU,PAE2,PA2,QAE2,QAG2,QAQ4,QAR2,QAW,QA2,QA26,QA4,QE,QHB4,QHQ4,QH26,QKE4,QME2,QXB7,QXB9,QXE4,QXE8,QXQ4,QXUZ,RA2,RHE4,RHQ4,RH26,SHQ4,SMC4,SWA4,SWC4,SXB7,SXE4, SXQ4, SXU, VA2, VKQ4, VSD7, VXB7, VXE7, VXU1	
14	96100-62020-00	BEARING, RADIAL BALL, 6202 ..	1	1	1	1	HA2,HEA2,HEA8,HKS8,HXQ4,HX26,HX8,LXE8,LXQ4,LXU,PAE2,PA2,PXED,PXE8,PXU,PX26,QAE2,QAE6,QAG2,QAQ4,QAR2,QAW,QA2,QA26,QA4,QKE4,QME2,QSC9,QSE8,QWA4,QWH2,QXB2,QXB6,QXB7,QXB9,QXCU,QXC2,QXC4,QXC6,QXC9,QXE4,QXE8,QXQ4,QXU,QXUZ,RA2,RXQ4,RXU,SMC2,SMC4,SME1,SME6,SWA2,SWA4,SWC4,SWS4,SXB7,SXB9,SXE4,SXE8, SXQ4, SXU, VA2, VKX4, VMA4, VME4, VN17, VPX4, VPX5, VPX9, VSD7, VSD9, VSH7, VS37, VS39, VWA2, VXB7, VXB9, VXE6, VXE7, VXE9, VXQ4, VXU1, VX2	
15	90630-751-000	CLIP, PURSE LOCK	1	1	-	-	HA2,HEA2,HEA8,HKS8,PAE2,PA2,QAE2,QAE6,QAQ4,QAR2,QAW,QA2,QA26,QA4,QSC9,QXB6,QZA2,RA2,RSC2,VA2,VDE2,VKB2,VNT2,VWA2,VWN2,VW12	
			-	1	-	-	HEA2,HEA8,HKS8,PAE2,QAE2,QAE6,QME2,QSC9,QXB6,QXE4,SME1,SXE4,VDE2,VKB2,VXE6,VXE7,VXE9,VS37,VS39	





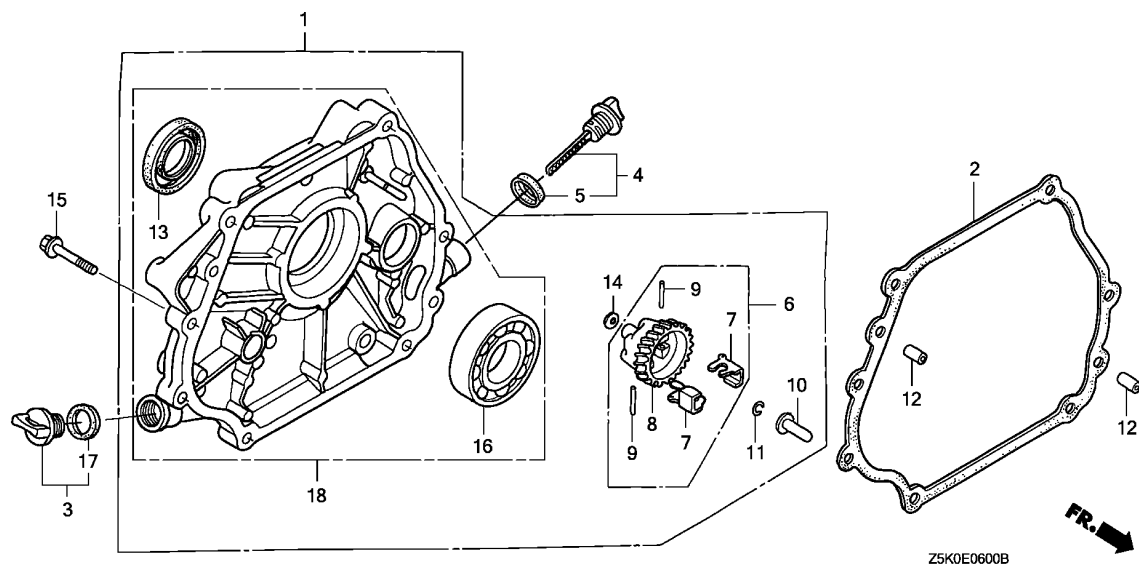
Ref. No.	Part No.	Description	Reqd. QTY				Serial No.	Parts catalogue code
			GX 270 UT	GX 270 RT	GX 270 UT2	GX 270 RT2		
16	35480-ZF6-003	SWITCH ASSY., OIL LEVEL	1	-	1	-	-----	HA2,HKS8,HXQ4,HX8,LXQ4,PA2,PXED,PX26,QAQ4,QAR2,QAW,QA4,QKE4 QWA4,QWH2,QXB2,QXB9,QXCU,QXC2,QXC4,QXC6,QXUZ,RA2,RXQ4,RXU,SMC2 SMC4,SME6,SWA2,SWA4,SWC4,SWS4,SXB7,SXB9,VA2,VKX4,VMA4,VME4 VN17,VPX4,VPX5,VPX9,VSD7,VSD9,VSH7,VS37,VS39,VWA2,VXB7,VXB9 VXQ4,VX2
			1	-	-	-	1066802	LXE8,LXU,PXE8,PXU,QAG2,QA2,QA26,QSE8,QXB7,QXC9,QXE8,QXQ4,QXU SXE8,SXQ4,SXU,VXU1
			-	1	-	1	-----	HEA2,HX26,LXU,PAE2,QAE2,QAG2,QA2,QA26,QME2,QXB7,QXE4,QXE8,QXQ4 SXE4,SXQ4,SXU,VXE7,VXU1
17	32115-Z5T-W00	BRACKET A, HARNESS	-	-	1	-	-----	QZA2,QZX4,VZX7
18	35480-Z5K-W01	SWITCH ASSY., OIL LEVEL	-	-	1	-	-----	QZA2,QZX4,VZX7
19	90013-883-000	BOLT, FLANGE, 6X12(CT200) ...	-	-	1	-	-----	QZA2,QZX4,VZX7
20	90029-888-000	BOLT, FLANGE, 6X16(CT200) ...	-	-	2	-	-----	QZA2,QZX4,VZX7
21	91309-Z6L-000	O-RING, 37.9X2.4	-	-	1	-	-----	QZA2,QZX4,VZX7



Ref. No.	L.O.N.	(Relative ref. Number) Description	F.R.T.
1		(18)	
1	1101F1	COVER, CRANKCASE	0.2
2	1101E9	PACKING, CRANKCASE COVER	0.2
6	1161C4	GOVERNOR ASSEMBLY	0.3
8		(7,9)	
	1161A7	HOLDER, GOVERNOR WEIGHT	0.4
10	1161B6	SLIDER, GOVERNOR	0.3
13	1101E5	OIL SEAL, CRANKSHAFT :REAR ...	0.3
16	1101A6	BEARING, CRANKSHAFT :REAR ...	0.4

Ref. No.	Part No.	Description	Reqd. QTY				Serial No.	Parts catalogue code
			GX 270 UT	GX 270 RT	GX 270 UT2	GX 270 RT2		
1	11300-Z1D-000	COVER ASSY., CRANKCASE	1	-	1	-	RHE2, RHE4, RHG4, RHQ4, RH26, RXQ4, RXU, SHQ4, SMC2, SMC4, SME1, SME6, SWA2, SWA4, SWC4, SWS4, SXB7, SXB9, SXE4, SXE8, SXQ4, SXU, VKQ4, VMA4, VME4	
	11300-Z1D-600	1	1	1	1	PXED, PXE8, PXU, PX26, QAG2, QE, QHB4, QHQ4, QH26, QKE4, QME2, QSE8, QWA4, QWH2, QXB2, QXB7, QXB9, QXC4, QXC2, QXC4, QXC6, QXC9, QXE4, QXE8, QXQ4, QXU, QXUZ, VAG2, VKE4, VKX4, VN17, VSD7, VSD9, VSH7, VS37, VS39, VWT4, VXE6, VXQ4, VXU1, VX2	
2	11381-ZE2-801	PACKING, CASE COVER	1	1	-	-	PXED, PXE8, PXU, PX26, QAG2, QE, QHB4, QHQ4, QH26, QKE4, QME2, QSE8, QWA4, QWH2, QXB2, QXB7, QXB9, QXC4, QXC2, QXC4, QXC6, QXC9, QXE4, QXE8, QXQ4, QXU, QXUZ, RHE2, RHE4, RHG4, RHQ4, RH26, RXQ4, RXU, SHQ4, SMC2, SMC4, SME1, SME6, SWA2, SWA4, SWC4, SWS4, SXB7, SXB9, SXE4, SXE8, SXQ4, SXU, VAG2, VKE4, VKQ4, VKX4, VMA4, VME4, VN17, VSD7, VSD9, VSH7, VS37, VS39, VWT4, VXE6, VXQ4, VXU1, VX2	
	11381-Z5K-000	-	-	1	1	QAG2, QE, QHB4, QHQ4, QH26, QKE4, QME2, QXB7, QXB9, QXE4, QXE8, QXQ4, QXUZ, RHE4, RHQ4, RH26, SHQ4, SMC4, SWA4, SWC4, SXB7, SXE4, SXQ4, SXU, VKQ4, VN17, VSD7, VWT4, VXU1	
3	15600-ZG4-003	CAP ASSY., OIL FILLER	1	-	-	-	QWH2, RHG4, VME4	
	15600-ZOT-820	1	1	1	1	PXED, PXE8, PXU, PX26, QAG2, QE, QHB4, QHQ4, QH26, QKE4, QME2, QSE8, QWA4, QXB2, QXB7, QXB9, QXC4, QXC2, QXC4, QXC6, QXC9, QXE4, QXE8, QXQ4, QXU, QXUZ, QZX4, RHE2, RHE4, RHG4, RHQ4, RH26, RXQ4, RXU, SHQ4, SMC2, SMC4, SME1, SME6, SWA2, SWA4, SWC4, SWS4, SXB7, SXB9, SXE4, SXE8, SXQ4, SXU, VAG2, VKE4, VKQ4, VKX4, VMA4, VN17, VSD7, VSD9, VSH7, VS37, VS39, VWT4, VXE6, VXQ4, VXU1, VX2, VZX7	
4	15600-Z1C-000	CAP ASSY., OIL FILLER	1	1	1	1	PXED, PXE8, PXU, PX26, QAG2, QE, QHB4, QHQ4, QH26, QKE4, QME2, QSE8, QWA4, QWH2, QXB2, QXB7, QXB9, QXC4, QXC2, QXC4, QXC6, QXC9, QXE4, QXE8, QXQ4, QXU, QXUZ, QZX4, RHE2, RHE4, RHG4, RHQ4, RH26, RXQ4, RXU, SHQ4, SMC2, SMC4, SME1, SME6, SWA2, SWA4, SWC4, SWS4, SXB7, SXB9, SXE4, SXE8, SXQ4, SXU, VAG2, VKE4, VKQ4, VKX4, VMA4, VME4, VN17, VSD7, VSD9, VSH7, VS37, VS39, VWT4, VXE6, VXQ4, VXU1, VX2, VZX7	





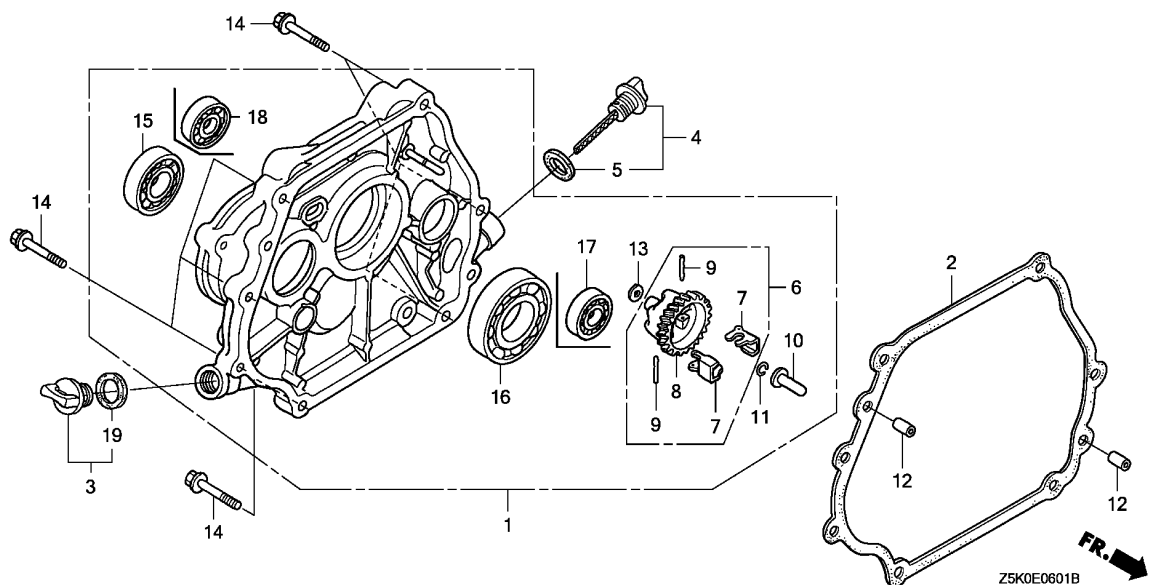
Ref. No.	Part No.	Description	Reqd. QTY				Serial No.	Parts catalogue code
			GX 270 UT	GX 270 RT	GX 270 UT2	GX 270 RT2		
5	15625-Z0T-800	PACKING, OIL FILLER CAP	1	1	1	1	PXED, PXE8, PXU, PX26, QAG2, QE, QHB4, QHQ4, QH26, QKE4, QME2, QSE8, QWA4, QWH2, QXB2, QXB7, QXB9, QXCU, QXC2, QXC4, QXC6, QXC9, QXE4, QXE8, QXQ4, QXU, QXUZ, QZX4, RHE2, RHE4, RHG4, RHQ4, RH26, RXQ4, RXU, SHQ4, SMC2, SMC4, SME1, SME6, SWA2, SWA4, SWC4, SWS4, SXB7, SXB9, SXE4, SXE8, SXQ4, SXU, VAG2, VKE4, VKQ4, VKX4, VMA4, VME4, VN17, VSD7, VSD9, VSH7, VS37, VS39, VWT4, VXE6, VXQ4, VXU1, VX2, VZX7	
6	16510-ZE2-000	GOVERNOR ASSY.	1	1	1	1	PXED, PXE8, PXU, PX26, QAG2, QE, QHB4, QHQ4, QH26, QKE4, QME2, QSE8, QWA4, QWH2, QXB2, QXB7, QXB9, QXCU, QXC2, QXC4, QXC6, QXC9, QXE4, QXE8, QXQ4, QXU, QXUZ, RHE2, RHE4, RHG4, RHQ4, RH26, RXQ4, RXU, SHQ4, SMC2, SMC4, SME1, SME6, SWA2, SWA4, SWC4, SWS4, SXB7, SXB9, SXE4, SXE8, SXQ4, SXU, VAG2, VKE4, VKQ4, VKX4, VMA4, VME4, VN17, VSD7, VSD9, VSH7, VS37, VS39, VWT4, VXE6, VXQ4, VXU1, VX2	
7	16511-ZE2-000	WEIGHT, GOVERNOR	2	2	2	2	PXED, PXE8, PXU, PX26, QAG2, QE, QHB4, QHQ4, QH26, QKE4, QME2, QSE8, QWA4, QWH2, QXB2, QXB7, QXB9, QXCU, QXC2, QXC4, QXC6, QXC9, QXE4, QXE8, QXQ4, QXU, QXUZ, RHE2, RHE4, RHG4, RHQ4, RH26, RXQ4, RXU, SHQ4, SMC2, SMC4, SME1, SME6, SWA2, SWA4, SWC4, SWS4, SXB7, SXB9, SXE4, SXE8, SXQ4, SXU, VAG2, VKE4, VKQ4, VKX4, VMA4, VME4, VN17, VSD7, VSD9, VSH7, VS37, VS39, VWT4, VXE6, VXQ4, VXU1, VX2	
8	16512-ZE2-000	HOLDER, GOVERNOR WEIGHT	1	1	1	1	PXED, PXE8, PXU, PX26, QAG2, QE, QHB4, QHQ4, QH26, QKE4, QME2, QSE8, QWA4, QWH2, QXB2, QXB7, QXB9, QXCU, QXC2, QXC4, QXC6, QXC9, QXE4, QXE8, QXQ4, QXU, QXUZ, RHE2, RHE4, RHG4, RHQ4, RH26, RXQ4, RXU, SHQ4, SMC2, SMC4, SME1, SME6, SWA2, SWA4, SWC4, SWS4, SXB7, SXB9, SXE4, SXE8, SXQ4, SXU, VAG2, VKE4, VKQ4, VKX4, VMA4, VME4, VN17, VSD7, VSD9, VSH7, VS37, VS39, VWT4, VXE6, VXQ4, VXU1, VX2	

Ref. No.	Part No.	Description	Reqd. QTY				Serial No.	Parts catalogue code
			GX 270 UT	GX 270 RT	GX 270 UT2	GX 270 RT2		
9	16513-ZE2-000	PIN, GOVERNOR WEIGHT	2	2	2	2	-----	PXED, PXE8, PXU, PX26, QAG2, QE, QHB4, QHQ4, QH26, QKE4, QME2, QSE8, QWA4, QWH2, QXB2, QXB7, QXB9, QXCU, QXC2, QXC4, QXC6, QXC9, QXE4, QXE8, QXQ4, QXU, QXUZ, RHE2, RHE4, RHG4, RHQ4, RH26, RXQ4, RXU, SHQ4, SMC2, SMC4, SME1, SME6, SWA2, SWA4, SWC4, SWS4, SXB7, SXB9, SXE4, SXE8, SXQ4, SXU, VAG2, VKE4, VKQ4, VKX4, VMA4, VME4, VN17, VSD7, VSD9, VSH7, VS37, VS39, VWT4, VXE6, VXQ4, VXU1, VX2
10	16531-Z0A-000	SLIDER, GOVERNOR	1	1	1	1	-----	PXED, PXE8, PXU, PX26, QAG2, QE, QHB4, QHQ4, QH26, QKE4, QME2, QSE8, QWA4, QWH2, QXB2, QXB7, QXB9, QXCU, QXC2, QXC4, QXC6, QXC9, QXE4, QXE8, QXQ4, QXU, QXUZ, RHE2, RHE4, RHG4, RHQ4, RH26, RXQ4, RXU, SHQ4, SMC2, SMC4, SME1, SME6, SWA2, SWA4, SWC4, SWS4, SXB7, SXB9, SXE4, SXE8, SXQ4, SXU, VAG2, VKE4, VKQ4, VKX4, VMA4, VME4, VN17, VSD7, VSD9, VSH7, VS37, VS39, VWT4, VXE6, VXQ4, VXU1, VX2
11	90602-ZE1-000	CLIP, GOVERNOR HOLDER	1	1	1	1	-----	PXED, PXE8, PXU, PX26, QAG2, QE, QHB4, QHQ4, QH26, QKE4, QME2, QSE8, QWA4, QWH2, QXB2, QXB7, QXB9, QXCU, QXC2, QXC4, QXC6, QXC9, QXE4, QXE8, QXQ4, QXU, QXUZ, RHE2, RHE4, RHG4, RHQ4, RH26, RXQ4, RXU, SHQ4, SMC2, SMC4, SME1, SME6, SWA2, SWA4, SWC4, SWS4, SXB7, SXB9, SXE4, SXE8, SXQ4, SXU, VAG2, VKE4, VKQ4, VKX4, VMA4, VME4, VN17, VSD7, VSD9, VSH7, VS37, VS39, VWT4, VXE6, VXQ4, VXU1, VX2
12	90701-HC4-000	DOWEL PIN, 8X12	2	2	2	2	-----	PXED, PXE8, PXU, PX26, QAG2, QE, QHB4, QHQ4, QH26, QKE4, QME2, QSE8, QWA4, QWH2, QXB2, QXB7, QXB9, QXCU, QXC2, QXC4, QXC6, QXC9, QXE4, QXE8, QXQ4, QXU, QXUZ, QZX4, RHE2, RHE4, RHG4, RHQ4, RH26, RXQ4, RXU, SHQ4, SMC2, SMC4, SME1, SME6, SWA2, SWA4, SWC4, SWS4, SXB7, SXB9, SXE4, SXE8, SXQ4, SXU, VAG2, VKE4, VKQ4, VKX4, VMA4, VME4, VN17, VSD7, VSD9, VSH7, VS37, VS39, VWT4, VXE6, VXQ4, VXU1, VX2, VZX7
13	91201-Z1D-003	OIL SEAL, 30X46X8	1	1	1	1	-----	PXED, PXE8, PXU, PX26, QAG2, QE, QHB4, QHQ4, QH26, QKE4, QME2, QSE8, QWA4, QWH2, QXB2, QXB7, QXB9, QXCU, QXC2, QXC4, QXC6, QXC9, QXE4, QXE8, QXQ4, QXU, QXUZ, QZX4, RHE2, RHE4, RHG4, RHQ4, RH26, RXQ4, RXU, SHQ4, SMC2, SMC4, SME1, SME6, SWA2, SWA4, SWC4, SWS4, SXB7, SXB9, SXE4, SXE8, SXQ4, SXU, VAG2, VKE4, VKQ4, VKX4, VMA4, VME4, VN17, VSD7, VSD9, VSH7, VS37, VS39, VWT4, VXE6, VXQ4, VXU1, VX2, VZX7
14	94101-06800	WASHER, PLAIN, 6MM	1	1	1	1	-----	PXED, PXE8, PXU, PX26, QAG2, QE, QHB4, QHQ4, QH26, QKE4, QME2, QSE8, QWA4, QWH2, QXB2, QXB7, QXB9, QXCU, QXC2, QXC4, QXC6, QXC9, QXE4, QXE8, QXQ4, QXU, QXUZ, RHE2, RHE4, RHG4, RHQ4, RH26, RXQ4, RXU, SHQ4, SMC2, SMC4, SME1, SME6, SWA2, SWA4, SWC4, SWS4, SXB7, SXB9, SXE4, SXE8, SXQ4, SXU, VAG2, VKE4, VKQ4, VKX4, VMA4, VME4, VN17, VSD7, VSD9, VSH7, VS37, VS39, VWT4, VXE6, VXQ4, VXU1, VX2
15	95701-08035-00	BOLT, FLANGE, 8X35	7	7	7	7	-----	PXED, PXE8, PXU, PX26, QAG2, QE, QHB4, QHQ4, QH26, QKE4, QME2, QSE8, QWA4, QWH2, QXB2, QXB7, QXB9, QXCU, QXC2, QXC4, QXC6, QXC9, QXE4, QXE8, QXQ4, QXU, QXUZ, QZX4, RHE2, RHE4, RHG4, RHQ4, RH26, RXQ4, RXU, SHQ4, SMC2, SMC4, SME1, SME6, SWA2, SWA4, SWC4, SWS4, SXB7, SXB9, SXE4, SXE8, SXQ4, SXU, VAG2, VKE4, VKQ4, VKX4, VMA4, VME4, VN17, VSD7, VSD9, VSH7, VS37, VS39, VWT4, VXE6, VXQ4, VXU1, VX2, VZX7
16	96100-62060-00	BEARING, RADIAL BALL, 6206 ..	1	1	1	1	-----	PXED, PXE8, PXU, PX26, QAG2, QE, QHB4, QHQ4, QH26, QKE4, QME2, QSE8, QWA4, QWH2, QXB2, QXB7, QXB9, QXCU, QXC2, QXC4, QXC6, QXC9, QXE4, QXE8, QXQ4, QXU, QXUZ, QZX4, RHE2, RHE4, RHG4, RHQ4, RH26, RXQ4, RXU, SHQ4, SMC2, SMC4, SME1, SME6, SWA2, SWA4, SWC4, SWS4, SXB7, SXB9, SXE4, SXE8, SXQ4, SXU, VAG2, VKE4, VKQ4, VKX4, VMA4, VME4, VN17, VSD7, VSD9, VSH7, VS37, VS39, VWT4, VXE6, VXQ4, VXU1, VX2, VZX7
17	15625-ZE1-003 15625-Z0T-800	PACKING, OIL FILLER CAP	1 1	- 1	- 1	- 1	-----	QWH2, RHG4, VME4 PXED, PXE8, PXU, PX26, QAG2, QE, QHB4, QHQ4, QH26, QKE4, QME2, QSE8, QWA4, QXB2, QXB7, QXB9, QXCU, QXC2, QXC4, QXC6, QXC9, QXE4, QXE8, QXQ4, QXU, QXUZ, QZX4, RHE2, RHE4, RHG4, RH26, RXQ4, RXU, SHQ4, SMC2, SMC4, SME1, SME6, SWA2, SWA4, SWC4, SWS4, SXB7, SXB9, SXE4, SXE8, SXQ4, SXU, VAG2, VKE4, VKQ4, VKX4, VMA4, VN17, VSD7, VSD9, VSH7, VS37, VS39, VWT4, VXE6, VXQ4, VXU1, VX2, VZX7
18	11300-Z5K-W10	COVER ASSY., CRANKCASE	-	-	1	-	-----	QZX4, VZX7



E-6-1

CRANKCASE COVER(2)



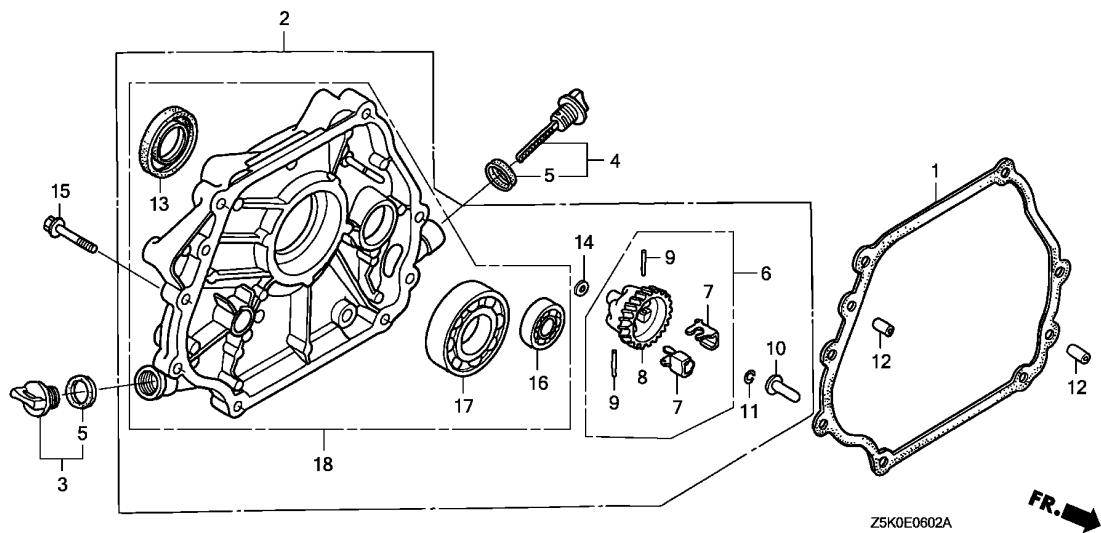
Ref. No.	L.O.N.	(Relative ref. Number) Description	F.R.T.
1	1101G0	COVER, CRANKCASE(A)	0.3
2	1101F9	PACKING, CRANKCASE COVER(A) ..	0.3
6	1161C4	GOVERNOR ASSEMBLY	0.3
8		(7,9)	
	1161A7	HOLDER, GOVERNOR WEIGHT	0.4
10	1161B6	SLIDER, GOVERNOR	0.3
15	2141A7	BEARING, POWER TAKE OFF SHAFT :FRONT	0.4
16	1101A6	BEARING, CRANKSHAFT :REAR	0.4
17	1101F5	BEARING, BALANCER WEIGHT :REAR	0.4
18	2101U3	BEARING, COUNTERSHAFT :FRONT .	0.4

Ref. No.	Part No.	Description	Reqd. QTY				Serial No.	Parts catalogue code
			GX 270	GX 270	GX 270	GX 270		
1	11300-ZE2-612	COVER ASSY., CRANKCASE	1	-	1	-	LXE8,LXQ4,LXU	
	11300-ZE2-622	1	-	1	-	HXQ4,HX26,HX8	
	11400-ZE2-623	1	-	1	-	HA2,HEA2,HEA8,HKS8	
2	11381-ZE2-801	PACKING, CASE COVER	1	-	1	-	HA2,HEA2,HEA8,HKS8,HXQ4,HX26,HX8,LXE8,LXQ4,LXU	
	11381-Z5K-000	-	-	1	-	HA2,HEA2,HKS8,HX26,LXU	
3	15600-ZG4-003	CAP ASSY., OIL FILLER	1	-	-	-	HKS8	
	15600-Z0T-820	1	-	1	-	HA2,HEA2,HEA8,HXQ4,HX26,HX8,LXE8,LXQ4,LXU	
		-	-	1	-	HKS8	
4	15600-Z1C-000	CAP ASSY., OIL FILLER	1	-	1	-	HA2,HEA2,HEA8,HKS8,HXQ4,HX26,HX8,LXE8,LXQ4,LXU	
5	15625-Z0T-800	PACKING, OIL FILLER CAP	1	-	1	-	HA2,HEA2,HEA8,HKS8,HXQ4,HX26,HX8,LXE8,LXQ4,LXU	
6	16510-ZE2-000	GOVERNOR ASSY.	1	-	1	-	HXQ4,HX26,HX8,LXE8,LXQ4,LXU	
	16510-ZE2-811	1	-	1	-	HA2,HEA2,HEA8,HKS8	
7	16511-ZE2-000	WEIGHT, GOVERNOR	2	-	2	-	HA2,HEA2,HEA8,HKS8,HXQ4,HX26,HX8,LXE8,LXQ4,LXU	
8	16512-ZE2-000	HOLDER, GOVERNOR WEIGHT	1	-	1	-	HXQ4,HX26,HX8,LXE8,LXQ4,LXU	
	16512-ZE2-811	1	-	1	-	HA2,HEA2,HEA8,HKS8	
9	16513-ZE2-000	PIN, GOVERNOR WEIGHT	2	-	2	-	HA2,HEA2,HEA8,HKS8,HXQ4,HX26,HX8,LXE8,LXQ4,LXU	
10	16531-Z0A-000	SLIDER, GOVERNOR	1	-	1	-	HA2,HEA2,HEA8,HKS8,HXQ4,HX26,HX8,LXE8,LXQ4,LXU	
11	90602-ZE1-000	CLIP, GOVERNOR HOLDER	1	-	1	-	HA2,HEA2,HEA8,HKS8,HXQ4,HX26,HX8,LXE8,LXQ4,LXU	
12	90701-HC4-000	DOWEL PIN, 8X12	2	-	2	-	HA2,HEA2,HEA8,HKS8,HXQ4,HX26,HX8,LXE8,LXQ4,LXU	
13	94101-06800	WASHER, PLAIN, 6MM	1	-	1	-	HA2,HEA2,HEA8,HKS8,HXQ4,HX26,HX8,LXE8,LXQ4,LXU	
14	95701-08035-00	BOLT, FLANGE, 8X35	7	-	7	-	HA2,HEA2,HEA8,HKS8,HXQ4,HX26,HX8,LXE8,LXQ4,LXU	
15	96100-62040-00	BEARING, RADIAL BALL, 6204 ..	1	-	1	-	HA2,HEA2,HEA8,HKS8,HXQ4,HX26,HX8,LXE8,LXQ4,LXU	
16	96100-62060-00	BEARING, RADIAL BALL, 6206 ..	1	-	1	-	HA2,HEA2,HEA8,HKS8,HXQ4,HX26,HX8,LXE8,LXQ4,LXU	
17	96100-62020-00	BEARING, RADIAL BALL, 6202 ..	1	-	1	-	HA2,HEA2,HEA8,HKS8	
18	96100-63020-00	BEARING, RADIAL BALL, 6302 ..	1	-	1	-	HA2,HEA2,HEA8,HKS8,HXQ4,HX26,HX8	
19	15625-ZE1-003	PACKING, OIL FILLER CAP	1	-	-	-	HKS8	
	15625-Z0T-800	1	-	1	-	HA2,HEA2,HEA8,HKS8,HXQ4,HX26,HX8,LXE8,LXQ4,LXU	

E-6-2

CRANKCASE COVER(3)

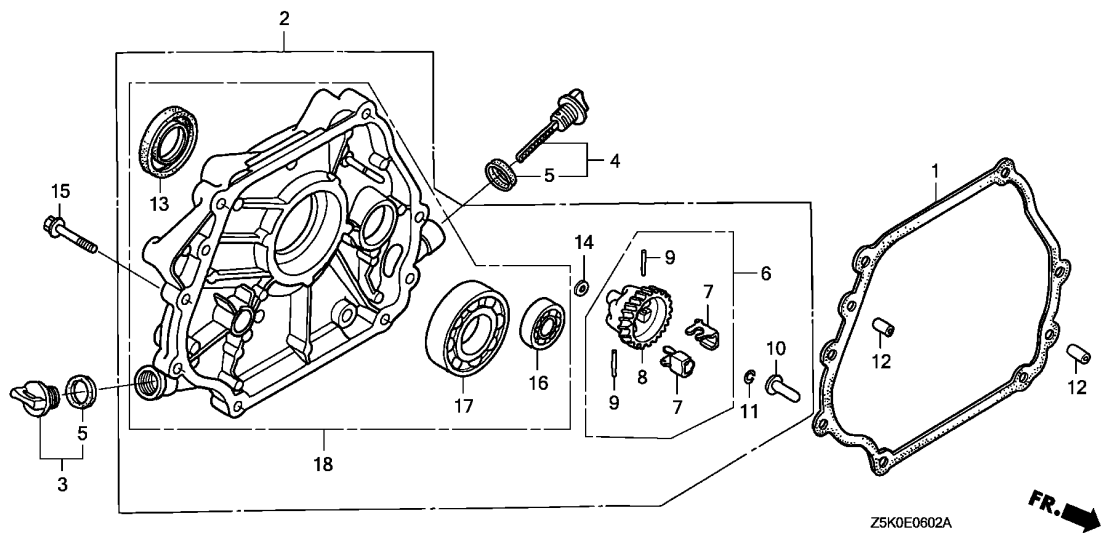
E12



Ref. No.	L.O.N.	(Relative ref. Number) Description	F.R.T.
1	1101E9	PACKING, CRANKCASE COVER (18)	0.2
2	1101F1	COVER, CRANKCASE	0.2
6	1161C4	GOVERNOR ASSEMBLY	0.3
8		(7,9)	
10	1161A7	HOLDER, GOVERNOR WEIGHT	0.4
13	1161B6	SLIDER, GOVERNOR	0.3
16	1101E5	OIL SEAL, CRANKSHAFT :REAR ...	0.3
17	1101F5	BEARING, BALANCER WEIGHT :REAR	0.4
	1101A6	BEARING, CRANKSHAFT :REAR	0.4

Ref. No.	Part No.	Description	Reqd. QTY				Serial No.	Parts catalogue code
			GX 270 UT	GX 270 RT	GX 270 UT2	GX 270 RT2		
1	11381-ZE2-801	PACKING, CASE COVER	1	1	-	-	-----	PAE2,PA2,QAE2,QAE6,QAQ4,QAR2,QAW,QA2,QA26,QA4,QSC9,QXB6,RA2
	11381-Z5K-000	-	-	1	1	-----	RSC2,VA2,VDE2,VNT2,VWA2,VWN2,VW12
						-----	PAE2,PA2,QAE2,QAQ4,QAR2,QAW,QA2,QA26,QA4,RA2,RSC2,VA2,VDE2
2	11400-ZE2-603	COVER ASSY., CRANKCASE	1	1	-	-	-----	VNT2
	11400-Z1D-600	1	1	1	1	-----	VWA2
						-----	PAE2,PA2,QAE2,QAE6,QAQ4,QAR2,QAW,QA2,QA26,QA4,QSC9,QXB6,VA2
						-----	VDE2,VNT2,VWN2,VW12
3	15600-Z0T-820	CAP ASSY., OIL FILLER	1	1	1	1	-----	RA2,RSC2
4	15600-Z1C-000	CAP ASSY., OIL FILLER	1	1	1	1	-----	PAE2,PA2,QAE2,QAE6,QAQ4,QAR2,QAW,QA2,QA26,QA4,QSC9,QXB6,QZA2
5	15625-Z0T-800	PACKING, OIL FILLER CAP	2	2	2	2	-----	RA2,RSC2,VA2,VDE2,VNT2,VWA2,VWN2,VW12
6	16510-ZE2-811	GOVERNOR ASSY.	1	1	1	1	-----	PAE2,PA2,QAE2,QAE6,QAQ4,QAR2,QAW,QA2,QA26,QA4,QSC9,QXB6,RA2
7	16511-ZE2-000	WEIGHT, GOVERNOR	2	2	2	2	-----	RSC2,VA2,VDE2,VNT2,VWA2,VWN2,VW12
8	16512-ZE2-811	HOLDER, GOVERNOR WEIGHT	1	1	1	1	-----	PAE2,PA2,QAE2,QAE6,QAQ4,QAR2,QAW,QA2,QA26,QA4,QSC9,QXB6,RA2
9	16513-ZE2-000	PIN, GOVERNOR WEIGHT	2	2	2	2	-----	RSC2,VA2,VDE2,VNT2,VWA2,VWN2,VW12
10	16531-Z0A-000	SLIDER, GOVERNOR	1	1	1	1	-----	PAE2,PA2,QAE2,QAE6,QAQ4,QAR2,QAW,QA2,QA26,QA4,QSC9,QXB6,RA2
11	90602-ZE1-000	CLIP, GOVERNOR HOLDER	1	1	1	1	-----	RSC2,VA2,VDE2,VNT2,VWA2,VWN2,VW12

2

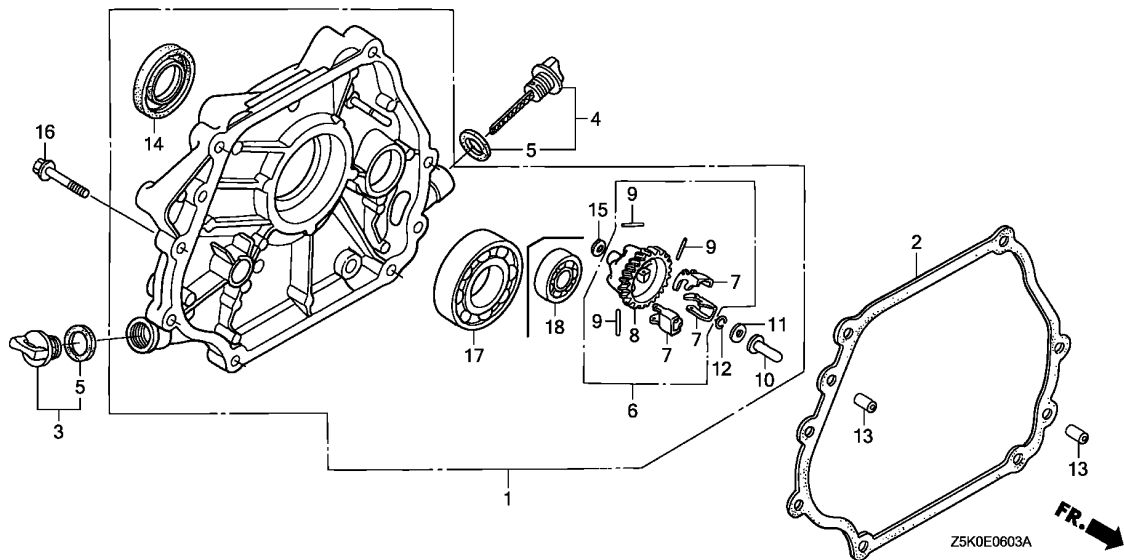


Ref. No.	Part No.	Description	Reqd. QTY				Serial No.	Parts catalogue code
			GX 270 UT	GX 270 RT	GX 270 UT2	GX 270 RT2		
12	90701-HC4-000	DOWEL PIN, 8X12	2	2	2	2	-----	PAE2,PA2,QAE2,QAE6,QAQ4,QAR2,QAW,QA2,QA26,QA4,QSC9,QXB6,QZA2 RA2,RSC2,VA2,VDE2,VNT2,VWA2,VWN2,VW12
13	91201-Z1D-003	OIL SEAL, 30X46X8	1	1	1	1	-----	PAE2,PA2,QAE2,QAE6,QAQ4,QAR2,QAW,QA2,QA26,QA4,QSC9,QXB6,QZA2 RA2,RSC2,VA2,VDE2,VNT2,VWN2,VW12
	91201-890-003		1	1	-	-	-----	VWA2
14	94101-06800	WASHER, PLAIN, 6MM	1	1	1	1	-----	PAE2,PA2,QAE2,QAE6,QAQ4,QAR2,QAW,QA2,QA26,QA4,QSC9,QXB6,RA2 RSC2,VA2,VDE2,VNT2,VWA2,VWN2,VW12
15	95701-08035-00	BOLT, FLANGE, 8X35	7	7	7	7	-----	PAE2,PA2,QAE2,QAE6,QAQ4,QAR2,QAW,QA2,QA26,QA4,QSC9,QXB6,QZA2 RA2,RSC2,VA2,VDE2,VNT2,VWA2,VWN2,VW12
16	96100-62020-00	BEARING, RADIAL BALL, 6202	1	1	1	1	-----	PAE2,PA2,QAE2,QAE6,QAQ4,QAR2,QAW,QA2,QA26,QA4,QSC9,QXB6,QZA2 RA2,RSC2,VA2,VDE2,VNT2,VWA2,VWN2,VW12
17	96100-62060-00	BEARING, RADIAL BALL, 6206	1	1	1	1	-----	PAE2,PA2,QAE2,QAE6,QAQ4,QAR2,QAW,QA2,QA26,QA4,QSC9,QXB6,QZA2 RA2,RSC2,VA2,VDE2,VNT2,VWA2,VWN2,VW12
18	11300-Z5K-W60	COVER ASSY., CRANKCASE	-	-	1	-	-----	QZA2

E-6-3

CRANKCASE COVER(4)

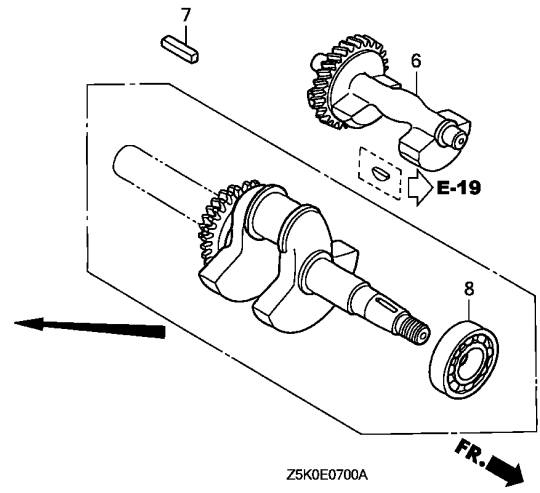
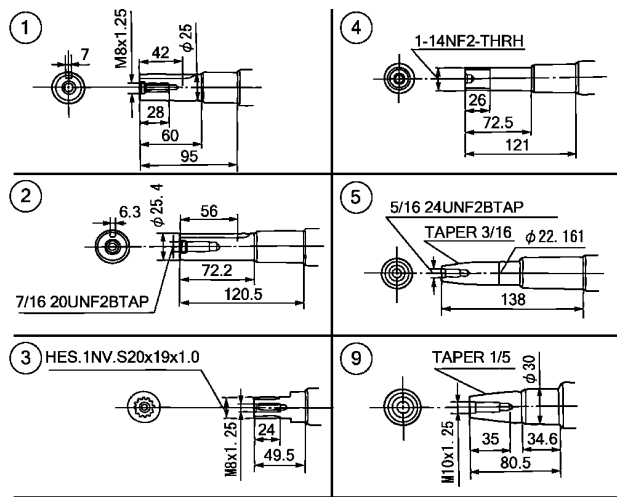
E14



Ref. No.	L.O.N.	(Relative ref. Number) Description	F.R.T.
1	1101F1	COVER, CRANKCASE	0.2
2	1101E9	PACKING, CRANKCASE COVER	0.2
6	1161C4	GOVERNOR ASSEMBLY	0.3
8		(7,9)	
	1161A7	HOLDER, GOVERNOR WEIGHT	0.4
10	1161B6	SLIDER, GOVERNOR	0.3
14	1101E5	OIL SEAL, CRANKSHAFT :REAR ...	0.3
17	1101A6	BEARING, CRANKSHAFT :REAR ...	0.4
18	1101F5	BEARING, BALANCER WEIGHT :REAR	0.4

Ref. No.	Part No.	Description	Reqd. QTY				Serial No.	Parts catalogue code
			GX 270	GX 270	GX 270	GX 270		
1	11300-ZK9-U60	COVER ASSY., CRANKCASE	1	1	1	-	VPX4,VPX5,VPX9,VXB7,VXB9	
	11300-Z1D-820	1	1	1	-	VPE2,VPE4,VPE5,VXE7,VXE9	
	11400-Z1D-670	-	1	-	1	VKB2	
2	11381-ZE2-801	PACKING, CASE COVER	1	1	-	-	VKB2,VPE2,VPE4,VPE5,VPX4,VPX5,VPX9,VXB7,VXB9,VXE7,VXE9	
	11381-Z5K-000	-	-	1	1	VKB2,VXB7,VXE7	
3	15600-Z0T-820	CAP ASSY., OIL FILLER	1	1	1	1	VKB2,VPE2,VPE4,VPE5,VPX4,VPX5,VPX9,VXB7,VXB9,VXE7,VXE9	
4	15600-Z1C-000	CAP ASSY., OIL FILLER	1	1	1	1	VKB2,VPE2,VPE4,VPE5,VPX4,VPX5,VPX9,VXB7,VXB9,VXE7,VXE9	
5	15625-Z0T-800	PACKING, OIL FILLER CAP	2	2	2	2	VKB2,VPE2,VPE4,VPE5,VPX4,VPX5,VPX9,VXB7,VXB9,VXE7,VXE9	
6	16510-ZE3-000	GOVERNOR ASSY.	1	1	1	1	VKB2,VPE2,VPE4,VPE5,VPX4,VPX5,VPX9,VXB7,VXB9,VXE7,VXE9	
7	16511-ZE8-000	WEIGHT, GOVERNOR	3	3	3	3	VKB2,VPE2,VPE4,VPE5,VPX4,VPX5,VPX9,VXB7,VXB9,VXE7,VXE9	
8	16512-ZE3-000	HOLDER, GOVERNOR WEIGHT	1	1	1	1	VKB2,VPE2,VPE4,VPE5,VPX4,VPX5,VPX9,VXB7,VXB9,VXE7,VXE9	
9	16513-ZE2-000	PIN, GOVERNOR WEIGHT	3	3	3	3	VKB2,VPE2,VPE4,VPE5,VPX4,VPX5,VPX9,VXB7,VXB9,VXE7,VXE9	
10	16531-Z0A-000	SLIDER, GOVERNOR	1	1	1	1	VKB2,VPE2,VPE4,VPE5,VPX4,VPX5,VPX9,VXB7,VXB9,VXE7,VXE9	
11	90473-147-000	WASHER, 6X16	1	1	1	1	VKB2,VPE2,VPE4,VPE5,VPX4,VPX5,VPX9,VXB7,VXB9,VXE7,VXE9	
12	90602-ZE1-000	CLIP, GOVERNOR HOLDER	1	1	1	1	VKB2,VPE2,VPE4,VPE5,VPX4,VPX5,VPX9,VXB7,VXB9,VXE7,VXE9	
13	90701-HC4-000	DOWEL PIN, 8X12	2	2	2	2	VKB2,VPE2,VPE4,VPE5,VPX4,VPX5,VPX9,VXB7,VXB9,VXE7,VXE9	
14	91201-Z1D-003	OIL SEAL, 30X46X8	1	1	1	1	VKB2,VPE2,VPE4,VPE5,VXE7,VXE9	
	91201-890-003	1	1	1	-	VPX4,VPX5,VPX9,VXB7,VXB9	
15	94101-06800	WASHER, PLAIN, 6MM	1	1	1	1	VKB2,VPE2,VPE4,VPE5,VPX4,VPX5,VPX9,VXB7,VXB9,VXE7,VXE9	
16	95701-08035-00	BOLT, FLANGE, 8X35	7	7	7	7	VKB2,VPE2,VPE4,VPE5,VPX4,VPX5,VPX9,VXB7,VXB9,VXE7,VXE9	
17	96100-62060-00	BEARING, RADIAL BALL, 6206 ..	1	1	1	1	VKB2,VPE2,VPE4,VPE5,VPX4,VPX5,VPX9,VXB7,VXB9,VXE7,VXE9	
18	96100-62020-00	BEARING, RADIAL BALL, 6202 ..	-	1	-	1	VKB2	

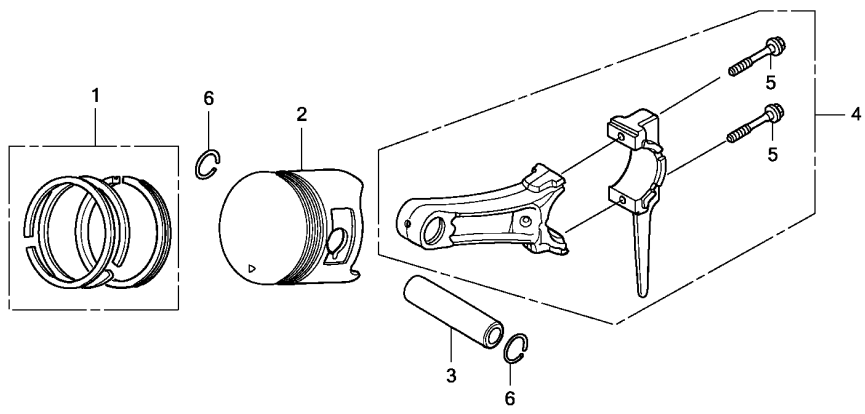
2



Ref. No.	L.O.N.	(Relative ref. Number) Description	F.R.T.
1	(2,3,4,5,9)	CRANKSHAFT	1.1
		.iGX type add	0.2
6		WEIGHT, BALANCER	0.3
8		BEARING, CRANKSHAFT :FRONT	1.3
		.iGX type add	0.2

Ref. No.	Part No.	Description	Reqd. QTY				Serial No.	Parts catalogue code
			GX 270	GX 270	GX 270	GX 270		
1	13310-ZH9-010	CRANKSHAFT COMP.	1	-	1	-	RHE2, RHE4, RHG4, RHQ4, RH26, RXQ4, RXU, SHQ4, SMC2, SMC4, SME1, SME6 SWA2, SWA4, SWC4, SWS4, SXE4, SXE8, SXQ4, SXU	
	13310-ZH9-801	1	1	1	1	RA2, RSC2	
	13310-ZK9-010	1	-	1	-	SXB7, SXB9	
2	13310-ZH9-601	CRANKSHAFT COMP.	1	-	1	-	QAG2, QE, QHB4, QHQ4, QH26, QKE4, QME2, QSE8, QWA4, QWH2, QXCU, QXC2, QXC4 QXC6, QXC9, QXE4, QXE8, QXQ4, QXU, QXUZ	
	13310-ZH9-811	1	-	1	-	QAE2, QAE6, QAQ4, QAR2, QAW, QA2, QA26, QA4, QSC9, QXB6, QZA2	
	13310-ZK9-601	1	-	1	-	QXB2, QXB7, QXB9	
	13310-Z5K-W10	-	-	1	-	QZX4	
3	13310-ZH9-611	CRANKSHAFT COMP.	1	-	1	-	HXQ4, HX26, HX8, LXE8, LXQ4, LXU	
	13310-ZH9-821	1	-	1	-	HA2, HEA2, HEA8, HKS8	
4	13310-ZH9-651	CRANKSHAFT COMP.	1	-	-	-	PXED, PXE8, PXU, PX26	
	13310-ZH9-831	1	-	1	-	PAE2, PA2	
5	13310-ZH9-671	CRANKSHAFT COMP.	1	1	1	1	VAG2, VKE4, VKX4, VWT4, VXE6, VXQ4, VXU1, VX2	
	13310-ZH9-841	1	1	1	1	VA2, VDE2, VKB2, VNT2, VPE2, VPE4, VPE5, VPX4, VPX5, VWA2, VWN2, VW12	
	13310-ZK9-671	1	1	1	1	VN17, VSD7, VSD9, VSH7, VS37, VS39	
	13310-ZK9-801	1	1	1	-	VPX9, VXB7, VXB9, VXE7, VXE9, VZX7	
6	13351-ZE2-010	WEIGHT, BALANCER	1	1	1	1	HA2, HEA2, HEA8, HKS8, PAE2, PA2, QAE2, QAE6, QAQ4, QAR2, QAW, QA2, QA26 QA4, QSC9, QXB6, QZA2, RA2, RSC2, VA2, VDE2, VKB2, VNT2, VWA2, VWN2, VW12	
7	90741-805-000	KEY, 7X7X33	1	-	1	-	SHQ4, SMC4, SME1, SME6, SWA2, SWA4, SWC4, SWS4, SXB7, SXB9, SXE4, SXE8 SXQ4, SXU, VKQ4	
	90741-889-810	KEY, 7X7X33(YELLOW)(O/S)	(1)	-	(1)	-	SHQ4, SMC2, SMC4, SME1, SME6, SWA2, SWA4, SWC4, SWS4, SXB7, SXB9, SXE4 SXE8, SXQ4, SXU, VKQ4	
	90745-ZE2-600	KEY, 6.3X6.3X43	-	-	(1)	-	RA2	
			1	-	1	-	QAE2, QAE6, QAG2, QAQ4, QAW, QA2, QA26, QA4, QE, QHQ4, QH26, QKE4, QME2 QSC9, QSE8, QWA4, QWH2, QXB2, QXB7, QXB9, QXCU, QXC2, QXC4, QXC6, QXC9 QXE4, QXE8, QXQ4, QXU, QXUZ, QZA2, QZX4	
8	91001-ZH9-003	BEARING, RADIAL BALL (6206 SH)	1	1	1	1		
9	13310-ZH9-701	CRANKSHAFT COMP.	1	-	1	-	VKQ4, VMA4, VME4	



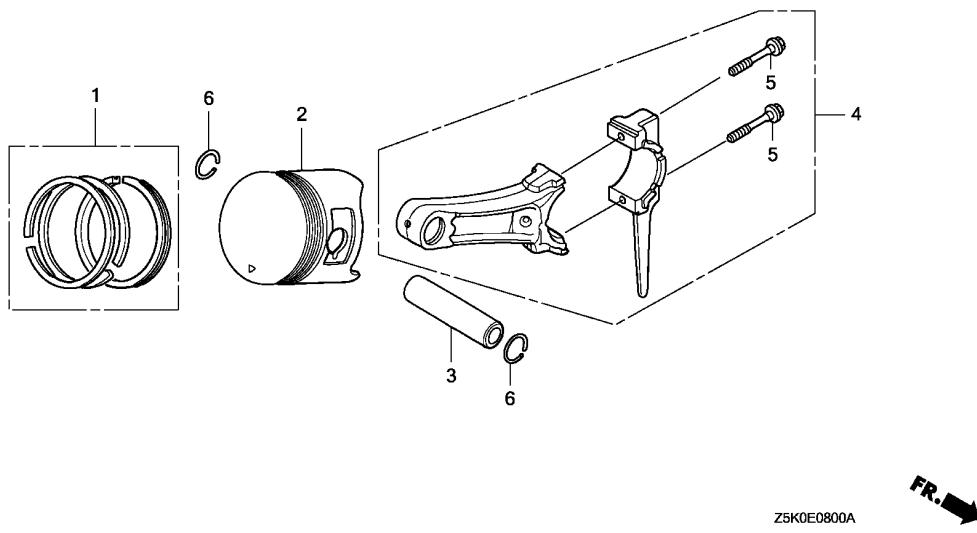


Z5K0E0800A

Ref. No.	L.O.N.	(Relative ref. Number) Description	F.R.T.
2	(1,3,4)		
1111R1		PISTON AND/OR RING SET AND/OR BEARING AND/OR ROD	1.2
1111R1L		.iGx type add	0.2

Ref. No.	Part No.	Description	Reqd. QTY				Serial No.	Parts catalogue code
			GX 270 UT	GX 270 RT	GX 270 UT2	GX 270 RT2		
1	13010-Z1D-801	RING SET, PISTON (STD.)(RIKEN)	1	-	-	-	1149269	LXE8,LXU,PXE8,PXU,QAG2,QA2,QA26,QHQ4,QH26,QSE8,QXB7,QXC9,QXE8,QXQ4,QXU,SHQ4,SXE8,SXQ4,SXU,VKX4,VN17,VPX4,VPX5,VPX9,VSD7,VSH7,VS37,VS39,VWA2,VXB7,VXB9,VXQ4,VXU1,VX2
	13011-Z1D-801	RING SET, PISTON (0.25)(RIKEN)	(1)	-	-	-	1149269	LXE8,LXU,PXE8,PXU,QAG2,QA2,QA26,QHQ4,QH26,QSE8,QXB7,QXC9,QXE8,QXQ4,QXU,SHQ4,SXE8,SXQ4,SXU,VKX4,VN17,VPX4,VPX5,VPX9,VSD7,VSH7,VS37,VS39,VWA2,VXB7,VXB9,VXQ4,VXU1,VX2
	13012-Z1D-801	RING SET, PISTON (0.50)(RIKEN)	(1)	-	-	-	1149269	LXE8,LXU,PXE8,PXU,QAG2,QA2,QA26,QHQ4,QH26,QSE8,QXB7,QXC9,QXE8,QXQ4,QXU,SHQ4,SXE8,SXQ4,SXU,VKX4,VN17,VPX4,VPX5,VPX9,VSD7,VSH7,VS37,VS39,VWA2,VXB7,VXB9,VXQ4,VXU1,VX2
	13013-Z1D-801	RING SET, PISTON (0.75)(RIKEN)	(1)	-	-	-	1149269	LXE8,LXU,PXE8,PXU,QAG2,QA2,QA26,QHQ4,QH26,QSE8,QXB7,QXC9,QXE8,QXQ4,QXU,SHQ4,SXE8,SXQ4,SXU,VKX4,VN17,VPX4,VPX5,VPX9,VSD7,VSH7,VS37,VS39,VWA2,VXB7,VXB9,VXQ4,VXU1,VX2
	13010-Z5H-004	RING SET, PISTON (STD.) (TEIKOKU)	1	-	-	-	-----	HA2,HEA2,HEA8,HKS8,HXQ4,HX26,HX8,LXQ4,PAE2,PA2,PXED,PX26,QAE2,QAE6,QAQ4,QAR2,QAW,QA4,QE,QHB4,QKE4,QME2,QSC9,QWA4,QWH2,QXB2,QXB6,QXB9,QXCU,QXC2,QXC4,QXC6,QXE4,QXUZ,RA2,RHE2,RHE4,RHG4,RHQ4,RH26,RXQ4,RXU,SMC2,SMC4,SME1,SME6,SWA2,SWA4,SWC4,SWS4,SXB7,SXB9,SXE4,VA2,VKQ4,VMA4,VME4,VSD9,VXE6,VXE7,VXE9
			1	-	-	-	1149270	LXE8,LXU,PXE8,PXU,QAG2,QA2,QA26,QHQ4,QH26,QSE8,QXB7,QXC9,QXE8,QXQ4,QXU,SHQ4,SXE8,SXQ4,SXU,VKX4,VN17,VPX4,VPX5,VPX9,VSD7,VSH7,VS37,VS39,VWA2,VXB7,VXB9,VXQ4,VXU1,VX2
	13010-Z5K-003	RING SET, PISTON (STD.)(RIKEN)	1	-	-	-	-----	PXED,QA4,QHB4,QXB2,QXCU,QXUZ
			1	-	-	-	1149270	LXE8,LXU,PXE8,PXU,QAG2,QA2,QA26,QHQ4,QH26,QSE8,QXB7,QXC9,QXE8,QXQ4,QXU,SHQ4,SXE8,SXQ4,SXU,VKX4,VN17,VPX4,VPX5,VPX9,VSD7,VSH7,VS37,VS39,VWA2,VXB7,VXB9,VXQ4,VXU1,VX2
			-	1	-	-	-----	VKX4,VN17,VPX4,VPX5,VPX9,VSH7,VS37,VS39,VWA2



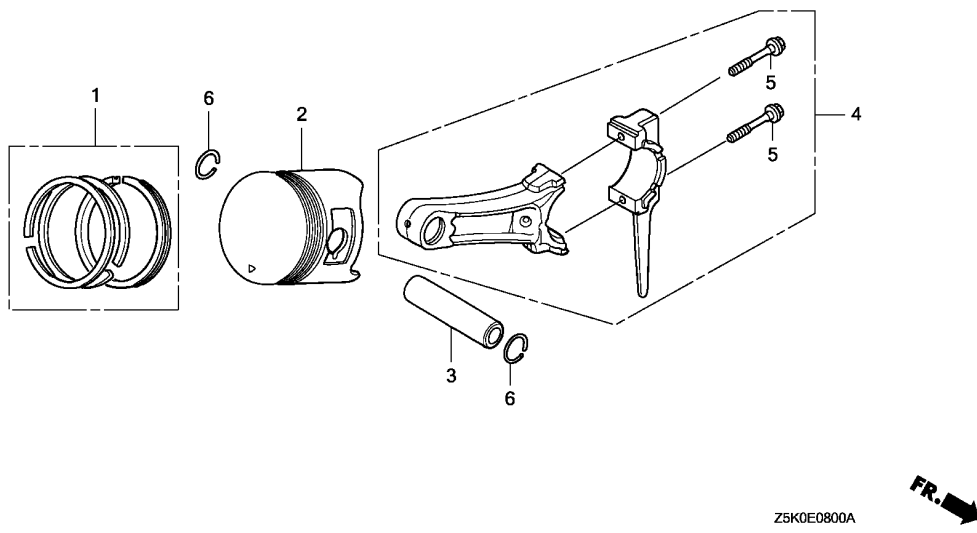


2

Ref. No.	Part No.	Description	Reqd. QTY				Serial No.	Parts catalogue code
			GX 270 UT	GX 270 RT	GX 270 UT2	GX 270 RT2		
(1)	13011-Z5H-004	RING SET, PISTON (0.25) (TEIKOKU)	(1)	-	-	-	-----	HA2,HEA2,HEA8,HKS8,HXQ4,HX26,HX8,LXQ4,PAE2,PA2,PXED,PX26,QAE2,QAE6,QAQ4,QAR2,QAW,QA4,QE,QHB4,QKE4,QME2,QSC9,QWA4,QWH2,QXB2,QXB6,QXB9,QXCU,QXC2,QXC4,QXC6,QXE4,QXUZ,RA2,RHE2,RHE4,RHG4,RHQ4,RH26,RXQ4,RXU,SMC2,SMC4,SME1,SME6,SWA2,SWA4,SWC4,SWS4,SXB7,SXB9,SXE4,VA2,VKQ4,VMA4,VME4,VSD9,VXE6,VXE7,VXE9
			(1)	-	-	-	1149270	----- LXE8,LXU,PXE8,PXU,QAG2,QA2,QA26,QHQ4,QH26,QSE8,QXB7,QXC9,QXE8,QXQ4,QXU,SHQ4,SXE8,SXQ4,SXU,VKX4,VN17,VPX4,VPX5,VPX9,VSD7,VSH7,VS37,VS39,VWA2,VXB7,VXB9,VXQ4,VXU1,VX2
			-	(1)	-	-	-----	
	13011-Z5K-003	RING SET, PISTON (0.25)(RIKEN)	(1)	-	-	-	-----	PXED,QA4,QHB4,QXB2,QXCU,QXUZ
			(1)	-	-	-	1149270	----- LXE8,LXU,PXE8,PXU,QAG2,QA2,QA26,QHQ4,QH26,QSE8,QXB7,QXC9,QXE8,QXQ4,QXU,SHQ4,SXE8,SXQ4,SXU,VKX4,VN17,VPX4,VPX5,VPX9,VSD7,VSH7,VS37,VS39,VWA2,VXB7,VXB9,VXQ4,VXU1,VX2
			-	(1)	-	-	-----	VKX4,VN17,VPX4,VPX5,VPX9,VSH7,VS37,VS39,VWA2
	13012-Z5H-004	RING SET, PISTON (0.50) (TEIKOKU)	(1)	-	-	-	-----	HA2,HEA2,HEA8,HKS8,HXQ4,HX26,HX8,LXQ4,PAE2,PA2,PXED,PX26,QAE2,QAE6,QAQ4,QAR2,QAW,QA4,QE,QHB4,QKE4,QME2,QSC9,QWA4,QWH2,QXB2,QXB6,QXB9,QXCU,QXC2,QXC4,QXC6,QXE4,QXUZ,RA2,RHE2,RHE4,RHG4,RHQ4,RH26,RXQ4,RXU,SMC2,SMC4,SME1,SME6,SWA2,SWA4,SWC4,SWS4,SXB7,SXB9,SXE4,VA2,VKQ4,VMA4,VME4,VSD9,VXE6,VXE7,VXE9
			(1)	-	-	-	1149270	----- LXE8,LXU,PXE8,PXU,QAG2,QA2,QA26,QHQ4,QH26,QSE8,QXB7,QXC9,QXE8,QXQ4,QXU,SHQ4,SXE8,SXQ4,SXU,VKX4,VN17,VPX4,VPX5,VPX9,VSD7,VSH7,VS37,VS39,VWA2,VXB7,VXB9,VXQ4,VXU1,VX2
			-	(1)	-	-	-----	

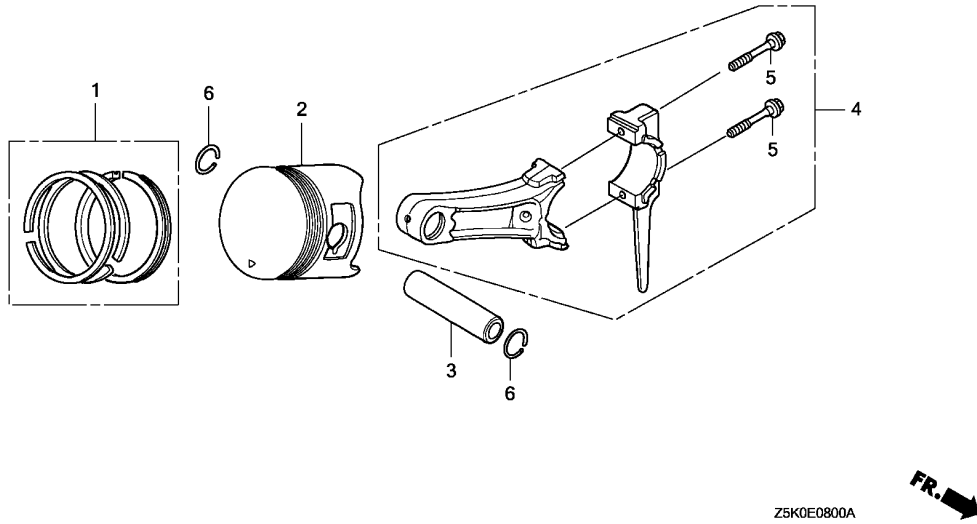
Ref. No.	Part No.	Description	Reqd. QTY				Serial No.	Parts catalogue code	
			GX 270 UT	GX 270 RT	GX 270 UT2	GX 270 RT2			
(1)	13012-Z5K-003	RING SET, PISTON (0.50)(RIKEN)	(1)	-	-	-	-----	PXED,QA4,QHB4,QXB2,QXCU,QXUZ	
			(1)	-	-	-	1149270	-----	LXE8,LXU,PXE8,PXU,QAG2,QA2,QA26,QHQ4,QH26,QSE8,QXB7,QXC9,QXE8,QXQ4,QXU,SHQ4,SXE8,SXQ4,SXU,VKX4,VN17,VPX4,VPX5,VPX9,VSD7,VSH7,VS37,VS39,VWA2,VXB7,VXB9,VXQ4,VXU1,VX2
	13013-Z5H-004	RING SET, PISTON (0.75) (TEIKOKU)	-	(1)	-	-	-----	VKX4,VN17,VPX4,VPX5,VPX9,VSH7,VS37,VS39,VWA2	
			(1)	-	-	-	-----	HA2,HEA2,HEA8,HKS8,HXQ4,HX26,HX8,LXQ4,PAE2,PA2,PXED,PX26,QAE2,QAE6,QAQ4,QAR2,QAW,QA4,QE,QHB4,QKE4,QME2,QSC9,QWA4,QWH2,QXB2,QXB6,QXB9,QXCU,QXC2,QXC4,QXC6,QXE4,QXUZ,RA2,RHE2,RHE4,RHG4,RHQ4,RH26,RXQ4,RXU,SMC2,SMC4,SME1,SME6,SWA2,SWA4,SWC4,SWS4,SXB7,SXB9,SXE4,VA2,VKQ4,VMA4,VME4,VSD9,VXE6,VXE7,VXE9	
			(1)	-	-	-	1149270	-----	LXE8,LXU,PXE8,PXU,QAG2,QA2,QA26,QHQ4,QH26,QSE8,QXB7,QXC9,QXE8,QXQ4,QXU,SHQ4,SXE8,SXQ4,SXU,VKX4,VN17,VPX4,VPX5,VPX9,VSD7,VSH7,VS37,VS39,VWA2,VXB7,VXB9,VXQ4,VXU1,VX2
	13013-Z5K-003	RING SET, PISTON (0.75)(RIKEN)	-	(1)	-	-	-----	VKX4,VN17,VPX4,VPX5,VPX9,VSH7,VS37,VS39,VWA2	
			(1)	-	-	-	1149270	-----	PXED,QA4,QHB4,QXB2,QXCU,QXUZ
			(1)	-	-	-	1149270	-----	LXE8,LXU,PXE8,PXU,QAG2,QA2,QA26,QHQ4,QH26,QSE8,QXB7,QXC9,QXE8,QXQ4,QXU,SHQ4,SXE8,SXQ4,SXU,VKX4,VN17,VPX4,VPX5,VPX9,VSD7,VSH7,VS37,VS39,VWA2,VXB7,VXB9,VXQ4,VXU1,VX2
	13010-Z5K-004	RING SET, PISTON (STD.) (TEIKOKU)	-	-	1	1			
	13011-Z5K-004	RING SET, PISTON (0.25) (TEIKOKU)	-	-	(1)	(1)			
	13012-Z5K-004	RING SET, PISTON (0.50) (TEIKOKU)	-	-	(1)	(1)			
	13013-Z5K-004	RING SET, PISTON (0.75) (TEIKOKU)	-	-	(1)	(1)			
2	13101-ZH9-000	PISTON (STD.)	1	-	-	-	-----	1149269 LXE8,LXU,PXE8,PXU,QAG2,QA2,QA26,QHQ4,QH26,QSE8,QXB7,QXC9,QXE8,QXQ4,QXU,SHQ4,SXE8,SXQ4,SXU,VKX4,VN17,VPX4,VPX5,VPX9,VSD7,VSH7,VS37,VS39,VWA2,VXB7,VXB9,VXQ4,VXU1,VX2	
	13102-ZH9-000	PISTON (0.25)	(1)	-	-	-	-----	1149269 LXE8,LXU,PXE8,PXU,QAG2,QA2,QA26,QHQ4,QH26,QSE8,QXB7,QXC9,QXE8,QXQ4,QXU,SHQ4,SXE8,SXQ4,SXU,VKX4,VN17,VPX4,VPX5,VPX9,VSD7,VSH7,VS37,VS39,VWA2,VXB7,VXB9,VXQ4,VXU1,VX2	
	13103-ZH9-000	PISTON (0.50)	(1)	-	-	-	-----	1149269 LXE8,LXU,PXE8,PXU,QAG2,QA2,QA26,QHQ4,QH26,QSE8,QXB7,QXC9,QXE8,QXQ4,QXU,SHQ4,SXE8,SXQ4,SXU,VKX4,VN17,VPX4,VPX5,VPX9,VSD7,VSH7,VS37,VS39,VWA2,VXB7,VXB9,VXQ4,VXU1,VX2	
	13104-ZH9-000	PISTON (0.75)	(1)	-	-	-	-----	1149269 LXE8,LXU,PXE8,PXU,QAG2,QA2,QA26,QHQ4,QH26,QSE8,QXB7,QXC9,QXE8,QXQ4,QXU,SHQ4,SXE8,SXQ4,SXU,VKX4,VN17,VPX4,VPX5,VPX9,VSD7,VSH7,VS37,VS39,VWA2,VXB7,VXB9,VXQ4,VXU1,VX2	
	13101-ZH9-010	PISTON (STD.)	1	-	-	-	-----	HA2,HEA2,HEA8,HKS8,HXQ4,HX26,HX8,LXQ4,PAE2,PA2,PXED,PX26,QAE2,QAE6,QAQ4,QAR2,QAW,QA4,QE,QHB4,QKE4,QME2,QSC9,QWA4,QWH2,QXB2,QXB6,QXB9,QXCU,QXC2,QXC4,QXC6,QXE4,QXUZ,RA2,RHE2,RHE4,RHG4,RHQ4,RH26,RXQ4,RXU,SMC2,SMC4,SME1,SME6,SWA2,SWA4,SWC4,SWS4,SXB7,SXB9,SXE4,VA2,VKQ4,VMA4,VME4,VSD9,VXE6,VXE7,VXE9	
			1	-	-	-	1149270	-----	LXE8,LXU,PXE8,PXU,QAG2,QA2,QA26,QHQ4,QH26,QSE8,QXB7,QXC9,QXE8,QXQ4,QXU,SHQ4,SXE8,SXQ4,SXU,VKX4,VN17,VPX4,VPX5,VPX9,VSD7,VSH7,VS37,VS39,VWA2,VXB7,VXB9,VXQ4,VXU1,VX2
	13102-ZH9-010	PISTON (0.25)	-	1	-	-	-----	HA2,HEA2,HEA8,HKS8,HXQ4,HX26,HX8,LXQ4,PAE2,PA2,PXED,PX26,QAE2,QAE6,QAQ4,QAR2,QAW,QA4,QE,QHB4,QKE4,QME2,QSC9,QWA4,QWH2,QXB2,QXB6,QXB9,QXCU,QXC2,QXC4,QXC6,QXE4,QXUZ,RA2,RHE2,RHE4,RHG4,RHQ4,RH26,RXQ4,RXU,SMC2,SMC4,SME1,SME6,SWA2,SWA4,SWC4,SWS4,SXB7,SXB9,SXE4,VA2,VKQ4,VMA4,VME4,VSD9,VXE6,VXE7,VXE9	
			(1)	-	-	-	1149270	-----	LXE8,LXU,PXE8,PXU,QAG2,QA2,QA26,QHQ4,QH26,QSE8,QXB7,QXC9,QXE8,QXQ4,QXU,SHQ4,SXE8,SXQ4,SXU,VKX4,VN17,VPX4,VPX5,VPX9,VSD7,VSH7,VS37,VS39,VWA2,VXB7,VXB9,VXQ4,VXU1,VX2
			-	(1)	-	-			





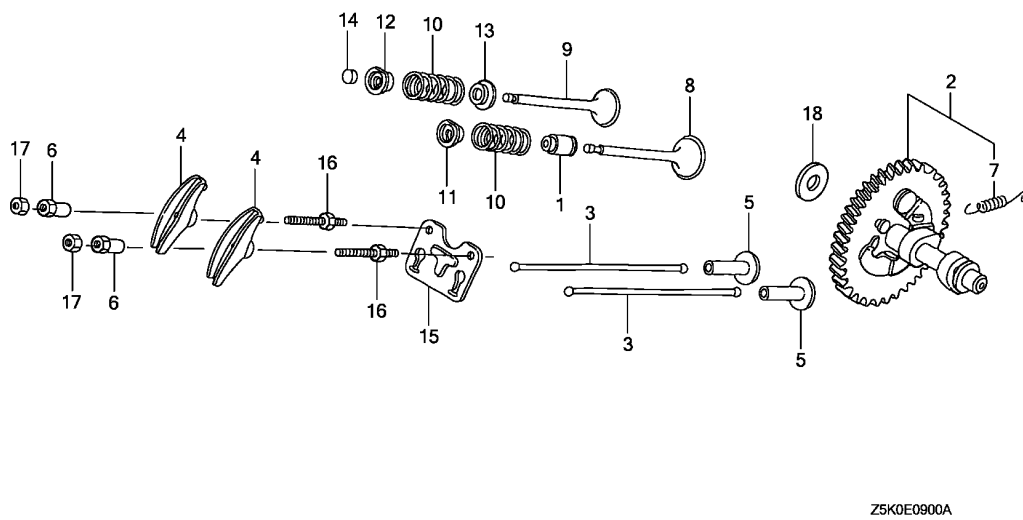
2

Ref. No.	Part No.	Description	Reqd. QTY				Serial No.	Parts catalogue code
			GX 270 UT	GX 270 RT	GX 270 UT2	GX 270 RT2		
(2)	13103-ZH9-010	PISTON (0.50)	(1)	-	-	-	HA2,HEA2,HEA8,HKS8,HXQ4,HX26,HX8,LXQ4,PAE2,PA2,PXED,PX26,QAE2 QAE6,QAQ4,QAR2,QAW,QA4,QE,QHB4,QKE4,QME2,QSC9,QWA4,QWH2,QXB2 QXB6,QXB9,QXCU,QXC2,QXC4,QXC6,QXE4,QXUZ,RA2,RHE2,RHE4,RHG4 RHQ4,RH26,RXQ4,RXU,SMC2,SMC4,SME1,SME6,SWA2,SWA4,SWC4,SWS4 SXB7,SXB9,SXE4,VA2,VKQ4,VMA4,VME4,VSD9,VXE6,VXE7,VXE9 LXE8,LXU,PXE8,PXU,QAG2,QA2,QA26,QHQ4,QH26,QSE8,QXB7,QXC9,QXE8 QXQ4,QXU,SHQ4,SXE8, SXQ4, SXU, VKX4, VN17, VPX4, VPX5, VPX9, VSD7, VSH7 VS37,VS39,VWA2,VXB7,VXB9,VXQ4,VXU1,VX2	
	13104-ZH9-010	PISTON (0.75)	(1)	-	-	-	HA2,HEA2,HEA8,HKS8,HXQ4,HX26,HX8,LXQ4,PAE2,PA2,PXED,PX26,QAE2 QAE6,QAQ4,QAR2,QAW,QA4,QE,QHB4,QKE4,QME2,QSC9,QWA4,QWH2,QXB2 QXB6,QXB9,QXCU,QXC2,QXC4,QXC6,QXE4,QXUZ,RA2,RHE2,RHE4,RHG4 RHQ4,RH26,RXQ4,RXU,SMC2,SMC4,SME1,SME6,SWA2,SWA4,SWC4,SWS4 SXB7,SXB9,SXE4,VA2,VKQ4,VMA4,VME4,VSD9,VXE6,VXE7,VXE9 LXE8,LXU,PXE8,PXU,QAG2,QA2,QA26,QHQ4,QH26,QSE8,QXB7,QXC9,QXE8 QXQ4,QXU,SHQ4,SXE8, SXQ4, SXU, VKX4, VN17, VPX4, VPX5, VPX9, VSD7, VSH7 VS37,VS39,VWA2,VXB7,VXB9,VXQ4,VXU1,VX2	
	13101-Z5K-000	PISTON (STD.)	-	-	(1)	(1)		
	13102-Z5K-000	PISTON (0.25)	-	-	(1)	(1)		
	13103-Z5K-000	PISTON (0.50)	-	-	(1)	(1)		
	13104-Z5K-000	PISTON (0.75)	-	-	(1)	(1)		
3	13111-ZE2-000	PIN, PISTON	1	1	-	-		
	13111-Z5K-000	-	-	1	1		
4	13200-Z1D-000	ROD ASSY., CONNECTING (STD.)	1	1	1	1		
	13200-Z1D-305	ROD ASSY., CONNECTING (0.25 UNDER SIZE)	(1)	-	-	-	LXE8,LXU,PXED,PXE8,PXU,QAG2,QA2,QA26,QA4,QHB4,QHQ4,QH26,QSE8 QXB2,QXB7,QXCU,QXC9,QXE8,QXQ4,QXU,QXUZ,SHQ4,SXE8, SXQ4, SXU, VXU1	
			-	-	(1)	(1)		



Ref. No.	Part No.	Description	Reqd. QTY				Serial No.	Parts catalogue code
			GX 270	GX 270	GX 270	GX 270		
(4)	13200-ZE2-305	ROD ASSY., CONNECTING (0.25 UNDER SIZE)	(1)	-	-	-	-----	HA2,HEA2,HEA8,HKS8,HXQ4,HX26,HX8,LXQ4,PAE2,PA2,PX26,QAE2,QAE6 QAA4,QAR2,QAW,QE,QKE4,QME2,QSC9,QWA4,QWH2,QXB6,QXB9,QXC2,QXC4 QXC6,QXE4,RA2,RHE2,RHE4,RHG4,RHQ4,RH26,RXQ4,RXU,SMC2,SMC4,SME1 SME6,SWA2,SWA4,SWC4,SWS4,SXB7,SXB9,SXE4,VA2,VKQ4,VKX4,VMA4 VME4,VN17,VPX4,VPX5,VPX9,VSD7,VSD9,VSH7,VS37,VS39,VWA2,VXB7 VXB9,VXE6,VXE7,VXE9,VXQ4,VX2
5	90001-ZE8-000	BOLT, CONNECTING ROD	-	(1)	-	-		
6	90551-ZE1-000	CLIP, PISTON PIN, 18MM	2	2	2	2		



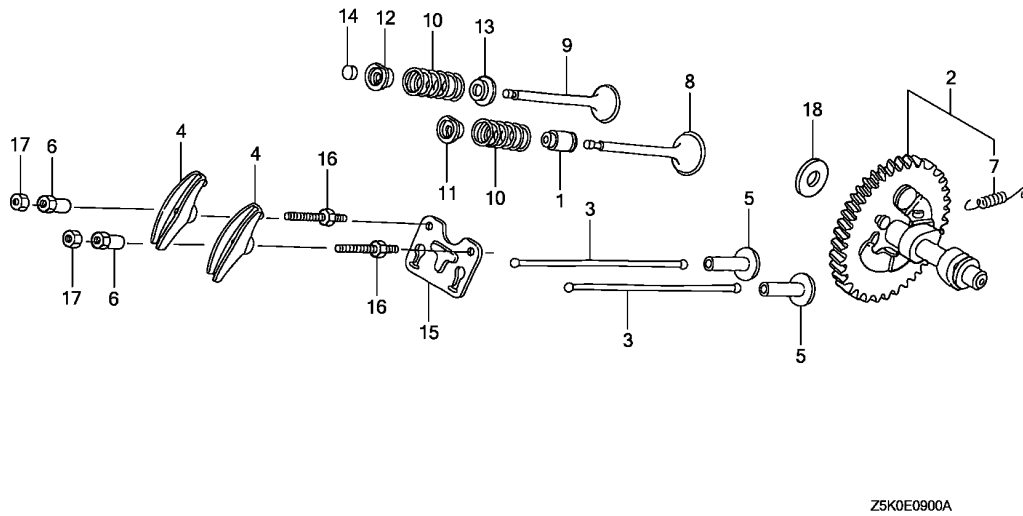


Ref. No.	L.O.N.	(Relative ref. Number) Description	F.R.T.
1	1111K2	SEAL, INTAKE VALVE STEMINCLUDES: Valve clearance adjustment	0.6
	1111K2J	.iGX type add	0.2
2	1111C2	CAMSHAFTINCLUDES: Valve clearance adjustment	0.4
3	1111L6	ROD, PUSH :INTAKEINCLUDES: Valve clearance adjustment	0.2
	1111L6A	.Replace exhaust push rod add	0.1
	1111L7	ROD, PUSH :EXHAUSTINCLUDES: Valve clearance adjustment	0.2
	1111L7A	.Replace intake push rod add	0.1
4	1111A2	ARM, ROCKER :INTAKEINCLUDES: Valve clearance adjustment	0.2
	1111A2A	.Replace exhaust rocker arm add	0.1
	1111A1	ARM, ROCKER :EXHAUSTINCLUDES: Valve clearance adjustment	0.2
	1111A1A	.Replace intake rocker arm add	0.1
+ 5	1111L9	LIFTER, VALVE :INTAKE	0.4

Z5K0E0900A



Ref. No.	Part No.	Description	Reqd. QTY				Serial No.	Parts catalogue code
			GX 270 UT	GX 270 RT	GX 270 UT2	GX 270 RT2		
1	12209-ZE8-003	SEAL, VALVE STEM	1	1	1	1		
2	14100-ZE3-020	CAMSHAFT ASSY.	1	1	-	-	HA2,HEA2,HEA8,HKS8,HXQ4,HX26,HX8,LXE8,LXQ4,LXU,PAE2,PA2,PXED PXEB,PXU,PX26,QAE2,QAE6,QAG2,QAQ4,QAR2,QAW,QA2,QA26,QA4,QHB4 QH4,QH26,QKE4,QME2,QSC9,QSE8,QWA4,QWH2,QXB6,QXC6,QXC9 QXE4,QXE8,QXQ4,QXU,QXUZ,RA2,RHE2,RHE4,RHG4,RHQ4,RH26,RSC2,RXQ4 RXU,SHQ4,SME1,SWA2,SWA4,SWC4,SWS4,SXE4,SXE8, SXQ4, SXU,VAG2,VA2 VDE2,VKB2,VKQ4,VMA4,VME4,VNT2,VWA2,VWN2,VW12,VXE6,VXQ4,VXU1 VX2	
	14100-ZH9-010	1	1	-	-	QE,QXC2,QXC4,SMC2,SMC4,SME6,VKE4,VKX4,VPE2,VPE4,VPE5,VPX4,VPX5 VWT4	
	14100-ZK3-870	1	1	-	-	QXB2,QXB7,SXB7,VN17,VSD7,VSH7,VXB7,VXE7	
	14100-ZK3-880	1	-	-	-	QXB9,SXB9,VSD9,VXB9,VXE9	
	14100-ZK9-870	1	1	-	-	VS37	
	14100-ZK9-880	1	1	-	-	VPX9,VS39	
	14100-Z5K-810	-	-	1	1	HA2,HEA2,HKS8,HX26,LXU,PAE2,PA2,QAE2,QAG2,QAQ4,QAR2,QAW,QA2 QA26,QA4,QE,QHB4,QH4,QH26,QKE4,QME2,QXE4,QXE8,QXQ4,QXUZ,QZA2 QZX4,RA2,RHE4,RHQ4,RH26,RSC2,SHQ4,SMC4,SWA4,SWC4,SXE4, SXQ4, SXU VA2,VDE2,VKB2,VKQ4,VNT2,VWT4,VXU1	
	14100-Z5K-820	-	-	1	1	QXB7,QXB9,SXB7,VN17,VSD7,VXB7,VXE7,VZX7	
3	14410-Z1D-000	ROD, PUSH	2	2	2	2		
4	14431-ZE2-010	ARM, VALVE ROCKER	2	2	2	2		
5	14441-ZE2-000	LIFTER, VALVE	2	2	2	2		
6	14451-ZE1-013	PIVOT, ROCKER ARM	2	2	2	2		
7	14568-ZE1-000	SPRING, WEIGHT RETURN	1	1	1	1		
8	14711-ZE2-000	VALVE, IN.	1	1	-	-		
	14711-Z5K-000	-	-	1	1		
9	14721-ZE2-000	VALVE, EX.	1	1	-	-		
	14721-Z5K-000	-	-	1	1		

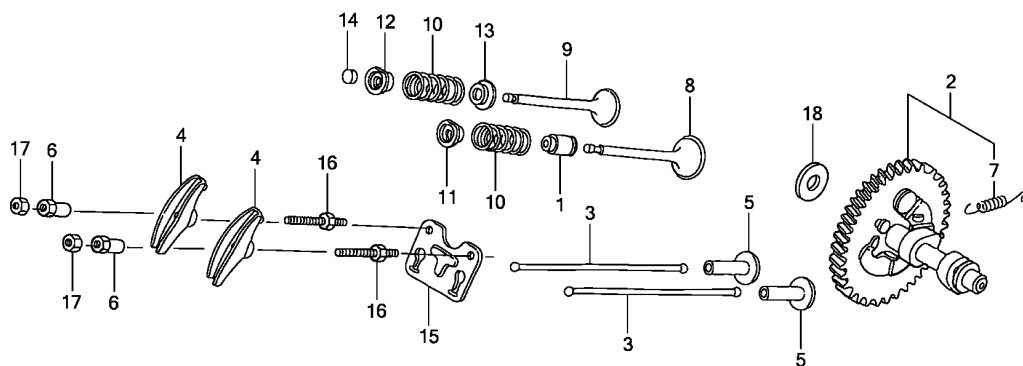


Z5K0E0900A

Ref. No.	L.O.N.	(Relative ref. Number) Description	F.R.T.
+ 5		.INCLUDES: Valve clearance adjustment .NOTE: Same time for two units	
1111M0		LIFTER, VALVE :EXHAUST	0.4
		.INCLUDES: Valve clearance adjustment .NOTE: Same time for two units	
8 1111L1		VALVE, INTAKE	0.7
		.INCLUDES: Valve clearance adjustment and reface	
1111L1E		.Replace intake and exhaust all add	0.2
1111L1H		.iGX type add	0.2
9 1111L0		VALVE, EXHAUST	0.7
		.INCLUDES: Valve clearance adjustment and reface	
1111L0E		.Replace intake and exhaust all add	0.2
1111L0H		.iGX type add	0.2
10 1111P3		SPRING, VALVE :INTAKE	0.6
		.INCLUDES: Valve clearance adjustment	
1111P3A		.Replace intake and exhaust all add	0.1
+ 1111P3F		.iGX type add	0.2

Ref. No.	Part No.	Description	Reqd. QTY				Serial No.	Parts catalogue code
			GX 270	GX 270	GX 270	GX 270		
10	14751-Z1C-000	SPRING, VALVE	2	2	2	2		
11	14771-ZE2-000	RETAINER, IN. VALVE SPRING ..	1	1	-	-	LXE8, LXU, PXED, PXE8, PXU, QAG2, QA2, QA26, QHB4, QHQ4, QH26, QSE8, QXB7, QXC9, QXE8, QXQ4, QXU, QXUZ, SHQ4, SXE8, SXQ4, SXU, VKX4, VN17, VPX4, VPX5, VPX9, VSD7, VSH7, VS37, VS39, VWA2, VXB7, VXB9, VXQ4, VXU1, VX2	
	14771-Z8S-000	1	1	-	-	HA2, HEA2, HEA8, HKS8, HXQ4, HX26, HX8, LXQ4, PAE2, PA2, PX26, QAE2, QAE6, QAQ4, QAR2, QAW, QA4, QE, QKE4, QME2, QSC9, QWA4, QWH2, QXB2, QXB6, QXB9, QXCU, QXC2, QXC4, QXC6, QXE4, RA2, RHE2, RHE4, RHG4, RHQ4, RH26, RSC2, RXQ4, RXU, SMC2, SMC4, SME1, SME6, SWA2, SWA4, SWC4, SWS4, SXB7, SXB9, SXE4, VAG2, VA2, VDE2, VKB2, VKE4, VKQ4, VMA4, VME4, VNT2, VPE2, VPE4, VPE5, VSD9, VWN2, VWT4, VW12, VXE6, VXE7, VXE9	
12	14773-ZE2-000	RETAINER, EX. VALVE SPRING ..	1	1	-	-	LXE8, LXU, PXED, PXE8, PXU, QAG2, QA2, QA26, QHB4, QHQ4, QH26, QSE8, QXB7, QXC9, QXE8, QXQ4, QXU, QXUZ, SHQ4, SXE8, SXQ4, SXU, VKX4, VN17, VPX4, VPX5, VPX9, VSD7, VSH7, VS37, VS39, VWA2, VXB7, VXB9, VXQ4, VXU1, VX2	
	14773-Z8S-000	1	1	-	-	HA2, HEA2, HEA8, HKS8, HXQ4, HX26, HX8, LXQ4, PAE2, PA2, PX26, QAE2, QAE6, QAQ4, QAR2, QAW, QA4, QE, QKE4, QME2, QSC9, QWA4, QWH2, QXB2, QXB6, QXB9, QXCU, QXC2, QXC4, QXC6, QXE4, RA2, RHE2, RHE4, RHG4, RHQ4, RH26, RSC2, RXQ4, RXU, SMC2, SMC4, SME1, SME6, SWA2, SWA4, SWC4, SWS4, SXB7, SXB9, SXE4, VAG2, VA2, VDE2, VKB2, VKE4, VKQ4, VMA4, VME4, VNT2, VPE2, VPE4, VPE5, VSD9, VWN2, VWT4, VW12, VXE6, VXE7, VXE9	
	14771-Z8S-000	RETAINER, IN. VALVE SPRING ..	-	-	1	1		
13	14775-ZE2-010	SEAT, VALVE SPRING	1	1	1	1		
14	14781-ZE2-000	ROTATOR, VALVE	1	1	-	-		
15	14791-ZE2-010	GUIDE, PUSH ROD	1	-	-	-	LXE8, LXU, PXED, PXE8, PXU, QAG2, QA2, QA26, QHB4, QHQ4, QH26, QSE8, QXB7, QXC9, QXE8, QXQ4, QXU, QXUZ, SHQ4, SXE8, SXQ4, SXU, VSD7, VXB7, VXB9, VXQ4, VXU1, VX2	
			-	1	-	-	VKX4, VN17, VPX4, VPX5, VPX9, VSH7, VS37, VS39, VWA2	



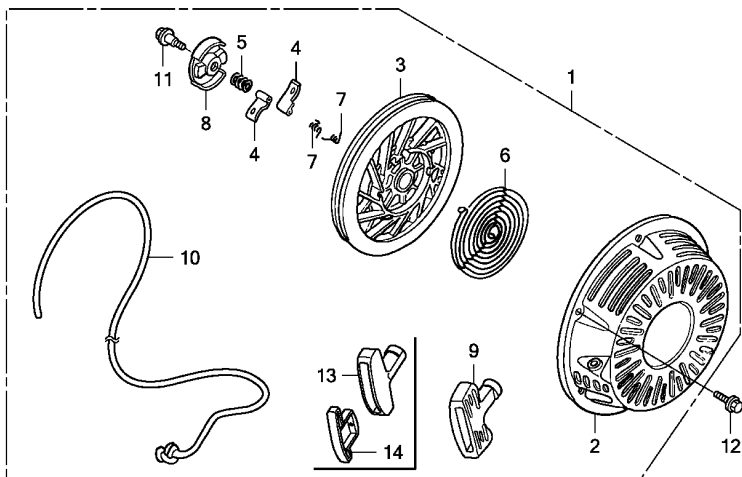


Z5K0E0900A



Ref. No.	L.O.N.	(Relative ref. Number) Description	F.R.T.
+10	1111P4	SPRING, VALVE :EXHAUSTINCLUDES: Valve clearance adjustment	0.6
	1111P4A	.Replace intake and exhaust all add	0.1
	1111P4F	.iGX type add	0.2
14	1111J7	ROTATOR, VALVEINCLUDES: Valve clearance adjustment	0.2

Ref. No.	Part No.	Description	Reqd. QTY				Serial No.	Parts catalogue code
			GX 270 UT	GX 270 RT	GX 270 UT2	GX 270 RT2		
15)	14791-Z1D-000	GUIDE, PUSH ROD	1	1	-	-	HA2,HEA2,HEA8,HKS8,HXQ4,HX26,HX8,LXQ4,PAE2,PA2,PX26,QAE2,QAE6 QAQ4,QAR2,QAW,QA4,QE,QKE4,QME2,QSC9,QWA4,QWH2,QXB2,QXB6,QXB9 QXCU,QXC2,QXC4,QXC6,QXE4,RA2,RHE2,RHE4,RHG4,RHQ4,RH26,RSC2 RXQ4,RXU,SMC2,SMC4,SME1,SME6,SWA2,SWA4,SWC4,SWS4, SXB7, SXB9 SXE4,VAG2,VA2,VDE2,VKB2,VKE4,VKQ4,VMA4,VME4,VNT2,VPE2,VPE4 VPE5,VSD9,VWN2,VWT4,VW12,VXE6,VXE7,VXE9 VKX4,VN17,VPX4,VPX5,VPX9,VSH7,VS37,VS39,VWA2	
			1	-	-	-		
			-	-	1	1		
	16	90012-ZE0-010 BOLT, PIVOT, 8MM	2	2	2	2		
	17	90206-ZE1-000 NUT, PIVOT ADJUSTING	2	2	2	2		
	18	90413-ZK6-880 WASHER, THRUST, 16.1MM	1	1	1	-	QXB9, SXB9, VPX9, VSD9, VS39, VXB9, VXE9	
			-	-	1	1	QXB7, SXB7, VN17, VSD7, VXB7, VXE7, VZX7	

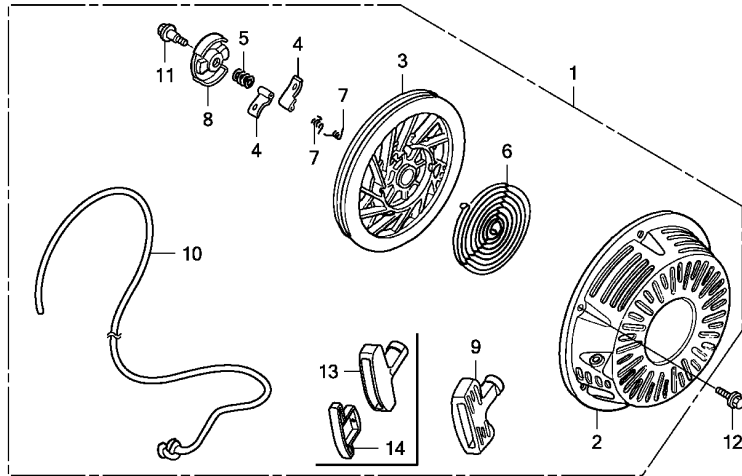


FR. →
Z5KOE1100A

Ref. No.	L.O.N.	(Relative ref. Number) Description	F.R.T.
1	1121B9	STARTER, RECOIL	0.1
3	1121B1	REEL, RECOIL STARTER	0.3
4		(7)	
	1121B0	RATCHET, STARTER AND/OR	0.2
		SPRING, RATCHET	
6	1121B7	SPRING, RECOIL STARTER RETURN	0.3
8		(5)	
	1121B2	RETAINER, SPRING	0.2
10	1121B3	ROPE, RECOIL STARTER	0.3

Ref. No.	Part No.	Description	Reqd. QTY				Serial No.	Parts catalogue code
			GX 270	GX 270	GX 270	GX 270		
1	28400-ZE2-W01ZB	STARTER ASSY., RECOIL						
		NH1.....BLACK	1	1	-	-	HA2,PA2,QAE2,QAQ4,QAR2,QA2,QWA4,QWH2,QXC9,RA2,SWC4,SWS4,VA2,VKE4,VKQ4,VKX4,VMA4,VME4,VN17,VSD7,VW12,VXE7,VXE9,VX2	
	28400-ZE2-W01ZD	*T41*...BARTELL BLUE METALLIC	1	-	-	-	QAQ4	
	28400-ZE2-W01ZG	*NH105*...MAT BLACK (#15-#20)	1	1	-	-	VWA2,VW12	
	28400-ZE2-W01ZN	*R280*.....POWER RED	1	1	-	-	HA2,HEA2,HEA8,HKS8,HXQ4,HX26,HX8,LXE8,LXQ4,LXU,PAE2,PA2,PXED,PXE8,PXU,PX26,QAE2,QAE6,QAG2,QAQ4,QAR2,QAW,QA26,QE,QHB4,QHQ4,QH26,QME2,QSC9,QSE8,QWA4,QXB6,QXB7,QXB9,QXC4,QXC6,QXC9,QXE4,QXE8,QXQ4,QXU,QXUZ,RA2,RHE4,RHG4,RHQ4,RH26,RSC2,RXQ4,RXU,SHQ4,SMC4,SME1,SME6,SWA4,SWC4,SWB7,SWB9,SXE4,SXE8,SXQ4,SXU,VAG2,VA2,VDE2,VKB2,VNT2,VN17,VPE4,VPE5,VPX4,VPX5,VPX9,VSD7,VSD9,VSH7,VS37,VS39,VWA2,VWN2,VWT4,VW12,VXB7,VXB9,VXE6,VXE7,VXE9,VXQ4,VXU1,VX2	
	28400-ZE2-W02ZB	*NH1*.....BLACK	1	-	-	-	QA4	
	28400-ZE2-W02ZN	*R280*.....POWER RED	1	1	-	-	QXB2,QXCU,QXC2,RHE2,SMC2,SWA2,VPE2	
	28400-Z5K-003ZA	*R280*.....POWER RED	-	-	1	-	HA2,HEA2,HKS8,HX26,LXU,PAE2,PA2,QAE2,QAG2,QAQ4,QAR2,QAW,QA26,QE,QHB4,QHQ4,QH26,QME2,QXB7,QXB9,QXE4,QXE8,QXQ4,QXUZ,RA2,RHE4,RHQ4,RH26,SHQ4,SMC4,SWA4,SWC4,SWB7,SXE4,SXQ4,SXU,VA2,VSD7,VXB7,VXE7,VXU1	
	28400-Z5K-003ZB	*NH1*.....BLACK	-	-	1	1	HA2,PA2,QAE2,QAQ4,QAR2,QA2,QA4,RA2,SWC4,VA2,VKQ4,VN17,VSD7,VXE7	
	28400-Z5K-003ZD	*T41*...BARTELL BLUE METALLIC	-	-	1	-	QAQ4	
2	28410-ZE2-W01ZB	CASE COMP., RECOIL STARTER						
		NH1.....BLACK	1	1	1	1	HA2,PA2,QAE2,QAQ4,QAR2,QA2,QA4,QWA4,QWH2,QXC9,RA2,SWC4,SWS4,VA2,VKE4,VKQ4,VKX4,VMA4,VME4,VN17,VSD7,VW12,VXE7,VXE9,VX2	
	28410-ZE2-W01ZD	*T41*...BARTELL BLUE METALLIC	1	-	1	-	QAQ4	
	28410-ZE2-W01ZG	*NH105*...MAT BLACK (#15-#20)	1	1	-	-	VWA2,VW12	



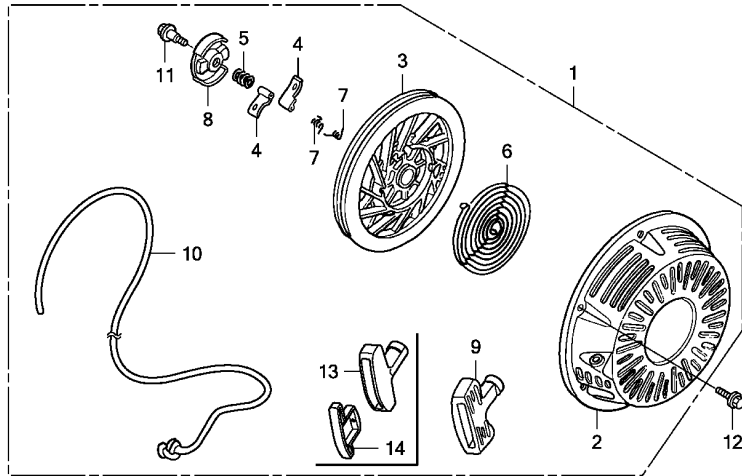


FR. →
Z5K0E1100A

Ref. No.	Part No.	Description	Reqd. QTY				Serial No.	Parts catalogue code
			GX 270 UT	GX 270 RT	GX 270 UT2	GX 270 RT2		
(2)	28410-ZE2-W01ZN	CASE COMP., RECOIL STARTER *R280*.....POWER RED	1	1	1	-	HA2,HEA2,HEA8,HKS8,HXQ4,HX26,HX8,LXE8,LXQ4,LXU,PAE2,PA2,PXED PX8,PXU,PX26,QA2,QA6,QAG2,QAQ4,QAR2,QAW,QA26,QA,QE,QHB4,QHQ4 QH26,QME2,QSC9,QSE8,QWA4,QXB2,QXB6,QXB7,QXB9,QXCU,QXC2,QXC4 QXC6,QXC9,QXE4,QXE8,QXQ4,QXU,QXUZ,RA2,RHE2,RHE4,RHG4,RHQ4,RH26 RSC2,RXQ4,RXU,SHQ4,SMC2,SMC4,SME1,SME6,SWA2,SWA4,SWC4,SB7 SXB9,SXE4,SXE8,SXQ4,SXU,VAG2,VA2,VDE2,VKB2,VNT2,VN17,VPE2,VPE4 VPE5,VPX4,VPX5,VPX9,VSD7,VSD9,VSH7,VS37,VS39,VWA2,VWN2,VWT4 VW12,VXB7,VXB9,VXE6,VXE7,VXE9,VXQ4,VXU1,VX2	
3	28421-ZE2-W01	PULLEY, RECOIL STARTER	1	-	1	-	HA2,HEA2,HEA8,HKS8,HXQ4,HX26,HX8,LXE8,LXQ4,LXU,PAE2,PA2,PXED PX8,PXU,PX26,QA2,QA6,QAG2,QAQ4,QAR2,QAW,QA2,QA26,QA,QE QHB4,QHQ4,QH26,QME2,QSC9,QSE8,QWA4,QWH2,QXB2,QXB6,QXB7,QXB9 QXCU,QXC2,QXC4,QXC6,QXC9,QXE4,QXE8,QXQ4,QXU,QXUZ,RA2,RHE2,RHE4 RHG4,RHQ4,RH26,RXQ4,RXU,SHQ4,SMC2,SMC4,SME1,SME6,SWA2,SWA4 SWC4,SWS4,SB7,SB9,SXE4,SXE8,SXQ4,SXU,VA2,VKQ4,VKX4,VMA4,VME4 VN17,VPX4,VPX5,VPX9,VSD7,VSD9,VSH7,VS37,VS39,VWA2,VXB7,VXB9 VXE6,VXE7,VXE9,VXQ4,VXU1,VX2	
4	28422-ZE2-W01	RATCHET, STARTER	2	-	2	-	HA2,HEA2,HEA8,HKS8,HXQ4,HX26,HX8,LXE8,LXQ4,LXU,PAE2,PA2,PXED PX8,PXU,PX26,QA2,QA6,QAG2,QAQ4,QAR2,QAW,QA2,QA26,QA,QE QHB4,QHQ4,QH26,QME2,QSC9,QSE8,QWA4,QWH2,QXB2,QXB6,QXB7,QXB9 QXCU,QXC2,QXC4,QXC6,QXC9,QXE4,QXE8,QXQ4,QXU,QXUZ,RA2,RHE2,RHE4 RHG4,RHQ4,RH26,RXQ4,RXU,SHQ4,SMC2,SMC4,SME1,SME6,SWA2,SWA4 SWC4,SWS4,SB7,SB9,SXE4,SXE8,SXQ4,SXU,VA2,VKQ4,VKX4,VMA4,VME4 VN17,VPX4,VPX5,VPX9,VSD7,VSD9,VSH7,VS37,VS39,VWA2,VXB7,VXB9 VXE6,VXE7,VXE9,VXQ4,VXU1,VX2	
			-	2	-	2		

Ref. No.	Part No.	Description	Reqd. QTY				Serial No.	Parts catalogue code
			GX 270 UT	GX 270 RT	GX 270 UT2	GX 270 RT2		
5	28441-ZE2-W01	SPRING, FRICTION	1	-	1	-	HA2,HEA2,HEA8,HKS8,HXQ4,HX26,HX8,LXE8,LXQ4,LXU,PAE2,PA2,PXED PXE8,PXU,PX26,QAE2,QAE6,QAG2,QAQ4,QAR2,QAW,QA2,QA26,QA4,QE QHB4,QHQ4,QH26,QME2,QSC9,QSE8,QWA4,QWH2,QXB2,QXB6,QXB7,QXB9 QXCU,QXC2,QXC4,QXC6,QXC9,QXE4,QXE8,QXQ4,QXU,QXUZ,RA2,RHE2,RHE4 RHG4,RHQ4,RH26,RXQ4,RXU,SHQ4,SMC2,SMC4,SME1,SME6,SWA2,SWA4 SWC4,SWS4,SBX7,SBX9,SXE4,SXE8,SXQ4,SXU,VA2,VKQ4,VKX4,VMA4,VME4 VN17,VPX4,VPX5,VPX9,VSD7,VSD9,VSH7,VS37,VS39,VWA2,VXB7,VXB9 VXE6,VXE7,VXE9,VXQ4,VXU1,VX2	
			-	1	-	1		
6	28442-ZE2-W01	SPRING, STARTER RETURN	1	-	1	-	HA2,HEA2,HEA8,HKS8,HXQ4,HX26,HX8,LXE8,LXQ4,LXU,PAE2,PA2,PXED PXE8,PXU,PX26,QAE2,QAE6,QAG2,QAQ4,QAR2,QAW,QA2,QA26,QA4,QE QHB4,QHQ4,QH26,QME2,QSC9,QSE8,QWA4,QWH2,QXB2,QXB6,QXB7,QXB9 QXCU,QXC2,QXC4,QXC6,QXC9,QXE4,QXE8,QXQ4,QXU,QXUZ,RA2,RHE2,RHE4 RHG4,RHQ4,RH26,RXQ4,RXU,SHQ4,SMC2,SMC4,SME1,SME6,SWA2,SWA4 SWC4,SWS4,SBX7,SBX9,SXE4,SXE8,SXQ4,SXU,VA2,VKQ4,VKX4,VMA4,VME4 VN17,VPX4,VPX5,VPX9,VSD7,VSD9,VSH7,VS37,VS39,VWA2,VXB7,VXB9 VXE6,VXE7,VXE9,VXQ4,VXU1,VX2	
7	28443-ZE2-W01	SPRING, RATCHET	2	-	2	-	HA2,HEA2,HEA8,HKS8,HXQ4,HX26,HX8,LXE8,LXQ4,LXU,PAE2,PA2,PXED PXE8,PXU,PX26,QAE2,QAE6,QAG2,QAQ4,QAR2,QAW,QA2,QA26,QA4,QE QHB4,QHQ4,QH26,QME2,QSC9,QSE8,QWA4,QWH2,QXB2,QXB6,QXB7,QXB9 QXCU,QXC2,QXC4,QXC6,QXC9,QXE4,QXE8,QXQ4,QXU,QXUZ,RA2,RHE2,RHE4 RHG4,RHQ4,RH26,RXQ4,RXU,SHQ4,SMC2,SMC4,SME1,SME6,SWA2,SWA4 SWC4,SWS4,SBX7,SBX9,SXE4,SXE8,SXQ4,SXU,VA2,VKQ4,VKX4,VMA4,VME4 VN17,VPX4,VPX5,VPX9,VSD7,VSD9,VSH7,VS37,VS39,VWA2,VXB7,VXB9 VXE6,VXE7,VXE9,VXQ4,VXU1,VX2	
8	28444-ZE2-W01	RETAINER, SPRING	1	-	1	-	HA2,HEA2,HEA8,HKS8,HXQ4,HX26,HX8,LXE8,LXQ4,LXU,PAE2,PA2,PXED PXE8,PXU,PX26,QAE2,QAE6,QAG2,QAQ4,QAR2,QAW,QA2,QA26,QA4,QE QHB4,QHQ4,QH26,QME2,QSC9,QSE8,QWA4,QWH2,QXB2,QXB6,QXB7,QXB9 QXCU,QXC2,QXC4,QXC6,QXC9,QXE4,QXE8,QXQ4,QXU,QXUZ,RA2,RHE2,RHE4 RHG4,RHQ4,RH26,RXQ4,RXU,SHQ4,SMC2,SMC4,SME1,SME6,SWA2,SWA4 SWC4,SWS4,SBX7,SBX9,SXE4,SXE8,SXQ4,SXU,VA2,VKQ4,VKX4,VMA4,VME4 VN17,VPX4,VPX5,VPX9,VSD7,VSD9,VSH7,VS37,VS39,VWA2,VXB7,VXB9 VXE6,VXE7,VXE9,VXQ4,VXU1,VX2	
9	28461-ZE2-W02	GRIP, STARTER	1	1	-	-	HA2,HEA2,HEA8,HKS8,HXQ4,HX26,HX8,LXE8,LXQ4,LXU,PAE2,PA2,PXED PXE8,PXU,PX26,QAE2,QAE6,QAG2,QAQ4,QAR2,QAW,QA2,QA26,QA4,QE QHB4,QHQ4,QH26,QME2,QSC9,QSE8,QWA4,QWH2,QXB2,QXB6,QXB7,QXB9 QXC4,QXC6 QXC9,QXE4,QXE8,QXQ4,QXU,QXUZ,RA2,RHE4,RHG4,RHQ4,RH26,RSC2,RXQ4 RXU,SHQ4,SMC4,SME1,SME6,SWA4,SWC4,SWS4,SBX7,SBX9,SXE4,SXE8 SXQ4,SXU,VAG2,VA2,VDE2,VKB2,VKE4,VKQ4,VKX4,VMA4,VME4,VNT2,VN17 VPE4,VPE5,VPX4,VPX5,VPX9,VSD7,VSD9,VSH7,VS37,VS39,VWA2,VWN2 VWT4,VW12,VXB7,VXB9,VXE6,VXE7,VXE9,VXQ4,VXU1,VX2	
	28461-ZE2-W03	1	1	-	-	QA4,QXB2,QXCU,QXC2,RHE2,SMC2,SWA2,VPE2	
10	28462-ZE2-W11	ROPE, RECOIL STARTER	1	-	1	-	HA2,HEA2,HEA8,HKS8,HXQ4,HX26,HX8,LXE8,LXQ4,LXU,PAE2,PA2,PXED PXE8,PXU,PX26,QAE2,QAE6,QAG2,QAQ4,QAR2,QAW,QA2,QA26,QA4,QE QHB4,QHQ4,QH26,QME2,QSC9,QSE8,QWA4,QWH2,QXB2,QXB6,QXB7,QXB9 QXCU,QXC2,QXC4,QXC6,QXC9,QXE4,QXE8,QXQ4,QXU,QXUZ,RA2,RHE2,RHE4 RHG4,RHQ4,RH26,RXQ4,RXU,SHQ4,SMC2,SMC4,SME1,SME6,SWA2,SWA4 SWC4,SWS4,SBX7,SBX9,SXE4,SXE8,SXQ4,SXU,VA2,VKQ4,VKX4,VMA4,VME4 VN17,VPX4,VPX5,VPX9,VSD7,VSD9,VSH7,VS37,VS39,VWA2,VXB7,VXB9 VXE6,VXE7,VXE9,VXQ4,VXU1,VX2	
			-	1	-	1		





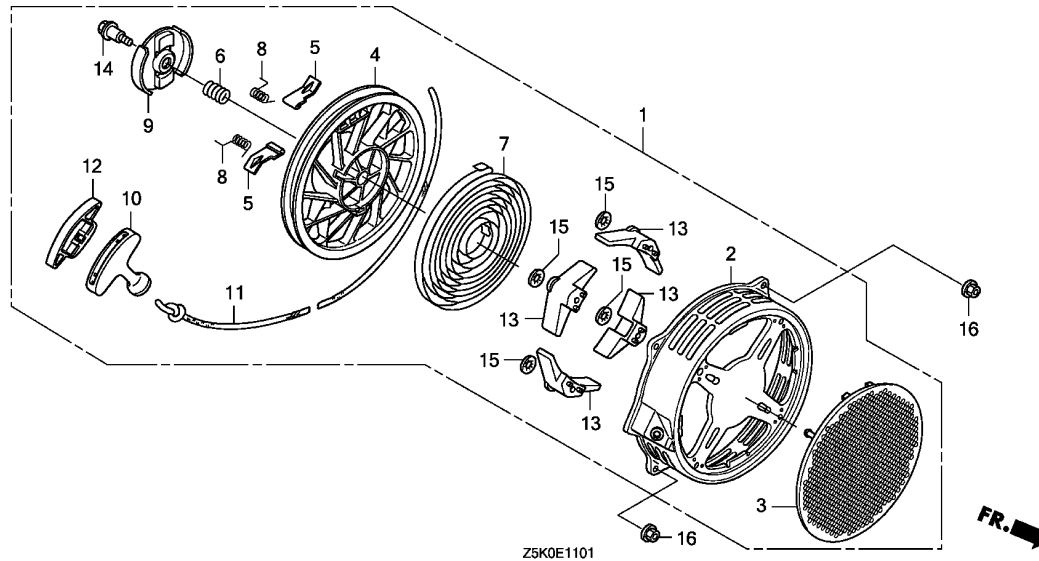
Z5K0E1100A

Ref. No.	Part No.	Description	Reqd. QTY				Serial No.	Parts catalogue code
			GX 270 UT	GX 270 RT	GX 270 UT2	GX 270 RT2		
11	90004-ZE2-W01	SCREW, CENTER	1	-	1	-	HA2,HEA2,HEA8,HKS8,HXQ4,HX26,HX8,LXE8,LXQ4,LXU,PAE2,PA2,PXED,PXE8,PXU,PX26,QAE2,QAE6,QAG2,QAQ4,QAR2,QAW,QA2,QA26,QA4,QE,QHB4,QHQ4,QH26,QME2,QSC9,QSE8,QWA4,QWH2,QXB2,QXB6,QXB7,QXB9,QXCU,QXC2,QXC4,QXC6,QXC9,QXE4,QXE8,QXQ4,QXU,QXUZ,RA2,RHE2,RHE4,RHG4,RHQ4,RH26,RXQ4,RXU,SHQ4,SMC2,SMC4,SME1,SME6,SWA2,SWA4,SWC4,SWS4,SWB7,SWB9,SXE4,SXE8,SXQ4,SXU,VA2,VKQ4,VKX4,VMA4,VME4,VN17,VPX4,VPX5,VPX9,VSD7,VSD9,VSH7,VS37,VS39,VWA2,VXB7,VXB9,VXE6,VXE7,VXE9,VXQ4,VXU1,VX2	
12	90008-ZE2-003	BOLT, FLANGE, 6X10	3	-	3	-	HA2,HEA2,HEA8,HKS8,HXQ4,HX26,HX8,LXE8,LXQ4,LXU,PAE2,PA2,PXED,PXE8,PXU,PX26,QAE2,QAE6,QAG2,QAQ4,QAR2,QAW,QA2,QA26,QA4,QE,QHB4,QHQ4,QH26,QME2,QSC9,QSE8,QWA4,QWH2,QXB2,QXB6,QXB7,QXB9,QXCU,QXC2,QXC4,QXC6,QXC9,QXE4,QXE8,QXQ4,QXU,QXUZ,RA2,RHE2,RHE4,RHG4,RHQ4,RH26,RXQ4,RXU,SHQ4,SMC2,SMC4,SME1,SME6,SWA2,SWA4,SWC4,SWS4,SWB7,SWB9,SXE4,SXE8,SXQ4,SXU,VA2,VKQ4,VKX4,VMA4,VME4,VN17,VPX4,VPX5,VPX9,VSD7,VSD9,VSH7,VS37,VS39,VWA2,VXB7,VXB9,VXE6,VXE7,VXE9,VXQ4,VXU1,VX2	
13	28461-Z5T-003	GRIP, STARTER	-	3	-	3	HA2,HEA2,HKS8,HX26,LXU,PAE2,PA2,QAE2,QAG2,QAQ4,QAR2,QAW,QA2,QA26,QA4,QE,QHB4,QHQ4,QH26,QME2,QXB7,QXB9,QXE4,QXE8,QXQ4,QXUZ,RA2,RHE4,RHQ4,RH26,SHQ4,SMC4,SWA4,SWC4,SWB7,SXE4,SXQ4,SXU,VA2,VKQ4,VSD7,VXB7,VXE7,VXU1	
14	28463-Z5T-003	GRIP, REINFORCEMENT	-	-	-	1	HA2,HEA2,HKS8,HX26,LXU,PAE2,PA2,QAE2,QAG2,QAQ4,QAR2,QAW,QA2,QA26,QA4,QE,QHB4,QHQ4,QH26,QME2,QXB7,QXB9,QXE4,QXE8,QXQ4,QXUZ,RA2,RHE4,RHQ4,RH26,SHQ4,SMC4,SWA4,SWC4,SWB7,SXE4,SXQ4,SXU,VA2,VKQ4,VSD7,VXB7,VXE7,VXU1	
			-	-	-	1		

E-11-1

RECOIL STARTER(2)

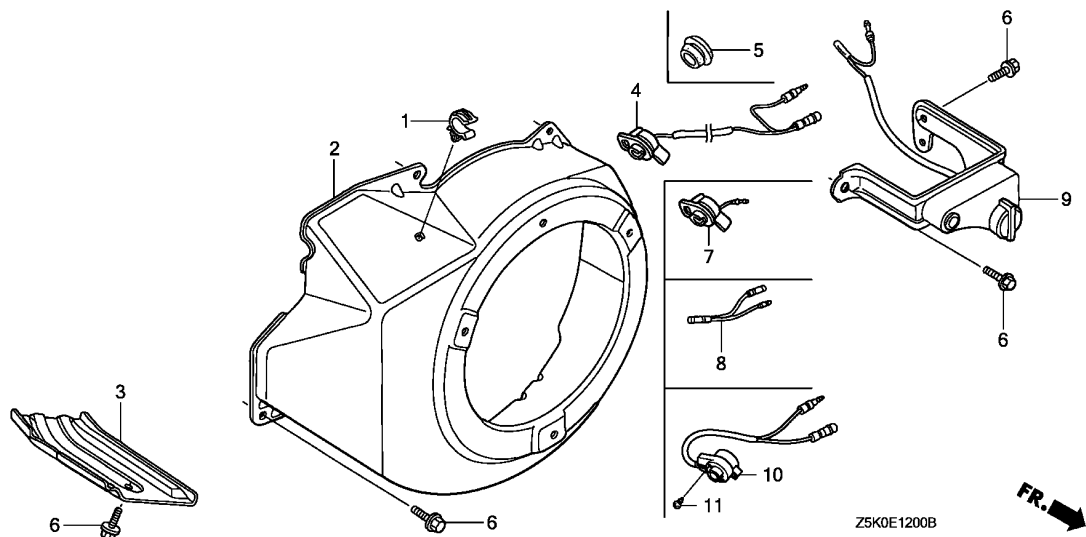
F12



Ref. No.	L.O.N.	(Relative ref. Number) Description	F.R.T.
1	1121B9	STARTER, RECOIL	0.1
3	1121D2	COVER, RECOIL STARTER	0.4
4	1121B1	REEL, RECOIL STARTER	0.3
5	1121B0	RATCHET, STARTER AND/OR SPRING, RATCHET	0.2
.NOTE: Same time for two units			
7	1121B7	SPRING, RECOIL STARTER RETURN (6)	0.3
9	1121A4	GUIDE, RATCHET	0.2
10	1121A3	GRIP, RECOIL STARTER	0.1
11	1121B3	ROPE, RECOIL STARTER	0.3

Ref. No.	Part No.	Description	Reqd. QTY				Serial No.	Parts catalogue code
			GX 270	GX 270	GX 270	GX 270		
1	28400-Z5T-W01ZA	STARTER ASSY., RECOIL	-	-	1	-	----- QZA2,QZX4,VZX7	
		NH1.....BLACK	-	-	1	-	----- QZA2,QZX4,VZX7	
	28400-Z5T-W01ZB	*R280*.....POWER RED	-	-	1	-	----- QZA2,QZX4,VZX7	
2	28410-Z5T-W01ZA	CASE COMP., RECOIL STARTER	-	-	1	-	----- QZA2,QZX4,VZX7	
		NH1.....BLACK	-	-	1	-	----- QZA2,QZX4,VZX7	
	28410-Z5T-W01ZB	*R280*.....POWER RED	-	-	1	-	----- QZA2,QZX4,VZX7	
3	28411-Z5T-W01	COVER, RECOIL STARTER	-	-	1	-	----- QZA2,QZX4,VZX7	
4	28421-Z5T-W01	PULLEY, RECOIL STARTER	-	-	1	-	----- QZA2,QZX4,VZX7	
5	28422-ZE2-W01	RATCHET, STARTER	-	-	2	-	----- QZA2,QZX4,VZX7	
6	28441-ZE2-W01	SPRING, FRICTION	-	-	1	-	----- QZA2,QZX4,VZX7	
7	28442-ZE2-W01	SPRING, STARTER RETURN	-	-	1	-	----- QZA2,QZX4,VZX7	
8	28443-ZE2-W01	SPRING, RATCHET	-	-	2	-	----- QZA2,QZX4,VZX7	
9	28444-ZE2-W01	RETAINER, SPRING	-	-	1	-	----- QZA2,QZX4,VZX7	
10	28461-Z5T-003	GRIP, STARTER	-	-	1	-	----- QZA2,QZX4,VZX7	
11	28462-ZE3-W01	ROPE, RECOIL STARTER	-	-	1	-	----- QZA2,QZX4,VZX7	
12	28463-Z5T-003	GRIP, REINFORCEMENT	-	-	1	-	----- QZA2,QZX4,VZX7	
13	28465-Z5T-W01	COVER, ROPE	-	-	4	-	----- QZA2,QZX4,VZX7	
14	90004-ZE2-W01	SCREW, CENTER	-	-	1	-	----- QZA2,QZX4,VZX7	
15	90201-Z5T-W01	NUT, PUSH	-	-	4	-	----- QZA2,QZX4,VZX7	
16	94050-06000	NUT, FLANGE, 6MM	-	-	4	-	----- QZA2,QZX4,VZX7	

2



Ref. No.	L.O.N.	(Relative ref. Number) Description	F.R.T.
2	1141G8	COVER, ENGINE COOLING FAN (7,9,10)	0.2
4	6151D9	SWITCH, ENGINE STOP	0.2

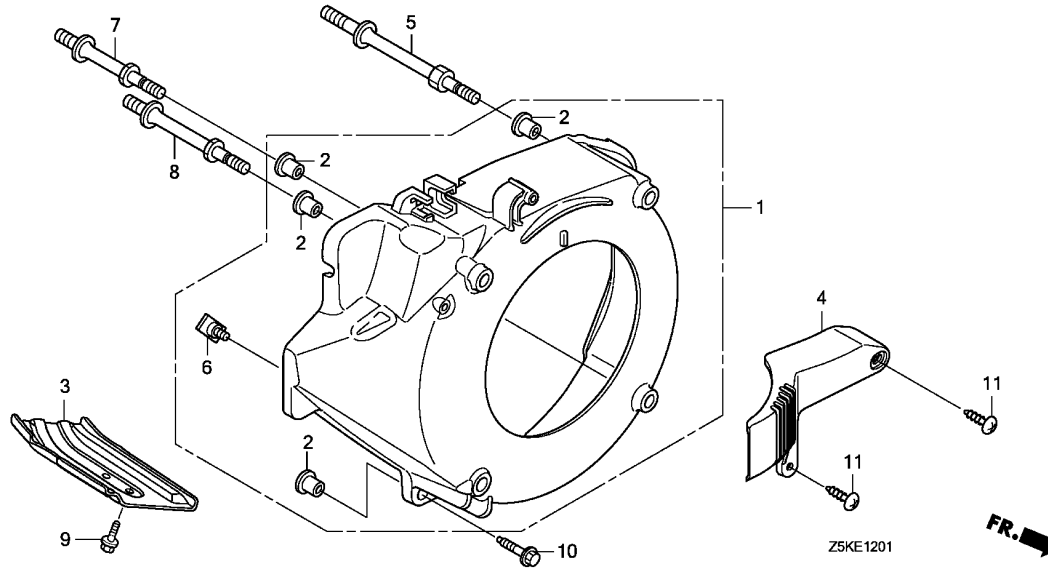
Ref. No.	Part No.	Description	Reqd. QTY				Serial No.	Parts catalogue code
			GX 270	GX 270	GX 270	GX 270		
			UT	RT	UT2	RT2		
1	16731-ZE2-003	CLIP, TUBE	1	-	-	-		HA2,HEA2,HKS8,HX26,LXU,PAE2,PA2,QAE2,QAG2,QAQ4,QAR2,QAW,QA2,QA26,QA4,QE,QHB4,QHQ4,QH26,QKE4,QME2,QXB7,QXB9,QXE4,QXE8,QXQ4,QXUZ,RA2,RHE4,RHQ4,RH26,SHQ4,SMC4,SWA4,SWC4, SXB7, SXE4, SXQ4, SXU VAG2,VA2,VDE2,VKB2,VKE4,VKQ4,VKX4,VNT2,VN17,VPE2,VPE4,VPE5,VPX4,VPX5,VPX9,VSD7,VSH7,VS37,VS39,VWA2,VWN2,VWT4,VW12,VXB7,VXE7,VXU1
2	19610-ZE2-010ZC	COVER COMP., FAN	1	1	-	-		HA2,PA2,QAE2,QAQ4,QAR2,QA2,QA4,QWA4,QWH2,QXC9,RA2,SWC4,SWS4,VA2,VKE4,VKQ4,VKX4,VMA4,VME4,VN17,VSD7,VXE7,VX2
		NH1.....BLACK						QAQ4
	19610-ZE2-010ZD	*T41*...BARTELL BLUE METALLIC	1	-	-	-		HA2,PA2,QAE2,RA2,VA2,VW12,VX2
	19610-ZE2-010ZF	*NH246*.....LOOSEY GRAY	1	1	-	-		VWA2,VW12
	19610-ZE2-010ZG	*NH105*...MAT BLACK (#15-#20)	1	1	-	-		HA2,HEA2,HEA8,HKS8,HXQ4,HX26,HX8,LXE8,LXQ4,LXU,PAE2,PA2,PXD PXE8,PXU,PX26,QAE2,QAE6,QAG2,QAQ4,QAR2,QAW,QA26,QE,QHB4,QHQ4,QH26,QKE4,QME2,QSC9,QSE8,QWA4,QXB2,QXB6,QXB7,QXCU,QXC2,QXC4,QXC6,QXC9,QXE4,QXE8,QXQ4,QXU,QXUZ,RA2,RHE2,RHE4,RHG4,RHQ4,RH26,RSC2,RXQ4,RXU,SHQ4,SMC2,SMC4,SME1,SME6,SWA2,SWA4,SWC4,SXB7,SXE4,SXE8,SXQ4,SXU,VAG2,VA2,VDE2,VKB2,VNT2,VN17,VPE2,VPE4,VPE5,VPX4,VPX5,VSD7,VSH7,VS37,VWA2,VWN2,VWT4,VW12,VXB7,VXE6,VXE7,VXQ4,VXU1,VX2
	19610-ZE2-010ZL	*R280*.....POWER RED	1	1	-	-		VXE9
	19610-ZK2-880ZA	*NH1*.....BLACK	1	-	-	-		QXB9,SXB9,VPX9,VSD9,VS39,VXB9,VXE9
	19610-ZK2-880ZB	*R280*.....POWER RED	1	1	-	-		HA2,PA2,QAE2,QAQ4,QAR2,QA2,QA4,RA2,SWC4,VA2,VKQ4,VN17,VSD7,VXE7
	19610-Z5K-000ZA	*NH1*.....BLACK	-	-	1	1		HA2,PA2,QAE2,RA2,VA2
	19610-Z5K-000ZB	*NH246*.....LOOSEY GRAY	-	-	1	-		

Ref. No.	Part No.	Description	Reqd.		QTY		Serial No.	Parts catalogue code
			GX 270 UT	GX 270 RT	GX 270 UT2	GX 270 RT2		
(2)	19610-Z5K-000ZC	COVER COMP., FAN *R280*.....POWER RED	-	-	1	-	-----	HA2,HEA2,HKS8,HX26,LXU,PAE2,PA2,QA2,QAG2,QAQ4,QAR2,QAW,QA26 QE,QHB4,QHQ4,QH26,QKE4,QME2,QXB7,QXE4,QXE8,QXQ4,QXUZ,RA2,RHE4 RHQ4,RH26,SHQ4,SMC4,SWA4,SWC4,SBX7,SXE4,SXQ4,SXU,VA2,VSD7,VXB7 VXE7,VXU1
	19610-Z5K-000ZD	*T41*...BARTELL BLUE METALLIC	-	-	-	1	-----	QAQ4
	19610-Z5K-820ZB	*R280*.....POWER RED	-	-	1	-	-----	QXB9
3	19631-ZE2-D00	SHROUD	1	1	-	-	-----	
	19631-Z5K-000	-	-	1	-	-----	HA2,HEA2,HKS8,HX26,LXU,PAE2,PA2,QA2,QAG2,QAQ4,QAR2,QAW,QA2 QA26,QA4,QE,QHB4,QHQ4,QH26,QKE4,QME2,QXB7,QXB9,QXE4,QXE8,QXQ4 QXUZ,RA2,RHE4,RHQ4,RH26,SHQ4,SMC4,SWA4,SWC4,SBX7,SXE4,SXQ4,SXU VA2,VKQ4,VSD7,VXB7,VXE7,VXU1
			-	-	-	1	-----	
4	36100-ZF6-P81	SWITCH ASSY., ENGINE STOP ...	1	-	-	-	-----	LXU,PXU,QAG2,QA2,QA26,QXB7,QXC9,QXQ4,QXU,SXQ4,SXU,VKX4,VN17 VPX5,VPX9,VSD7,VSH7,VXB7,VXB9,VXQ4,VXU1,VX2
	36100-ZF6-P82	1	1	-	-	-----	HA2,HXQ4,HX26,HX8,LXQ4,PA2,PX26,QAQ4,QAR2,QAW,QA4,QWA4,QWH2 QXB2,QXB9,QXC9,QXC2,QXC4,QXC6,QXUZ,RA2,RSC2,RXQ4,RXU,SMC2,SMC4 SME6,SWA2,SWA4,SWC4,SWS4,SBX7,SBX9,VAG2,VA2,VNT2,VSD9,VWN2 VW12
			-	1	-	-	-----	VKX4,VN17,VPX5,VPX9,VSH7
5	81329-567-020	GROMMET, DRAIN HOLE	1	1	1	1	-----	HA2,HEA8,HKS8,LXE8,PAE2,PXED,PXE8,QA2,QA6,QHB4,QKE4,QME2 QSC9,QSE8,QXB6,QXE4,QXE8,RHE2,RHE4,SME1,SXE4,SXE8,VDE2,VKB2 VKE4,VMA4,VME4,VPE2,VPE4,VPE5,VPX4,VS37,VS39,VWA2,VWT4,VXE6 VXE7,VXE9
6	90013-883-000	BOLT, FLANGE, 6X12(CT200) ...	6	6	6	-	-----	HA2,HEA2,HEA8,HKS8,HXQ4,HX26,HX8,LXE8,LXQ4,LXU,PAE2,PA2,PXED PXE8,PXU,PX26,QA2,QA6,QAG2,QAQ4,QAR2,QAW,QA2,QA26,QA4,QE QHB4,QHQ4,QH26,QKE4,QME2,QSC9,QSE8,QWA4,QWH2,QXB2,QXB6,QXB7 QXB9,QXC9,QXC2,QXC4,QXC6,QXC9,QXE4,QXE8,QXQ4,QXU,QXUZ,RA2,RHE2 RHE4,RHG4,RHQ4,RH26,RSC2,RXQ4,RXU,SHQ4,SMC2,SMC4,SME1,SME6 SWA2,SWA4,SWC4,SWS4,SBX7,SBX9,SXE4,SXE8,SXQ4,SXU,VAG2,VA2,VDE2 VKB2,VKE4,VKQ4,VKX4,VMA4,VME4,VNT2,VN17,VPE2,VPE4,VPE5,VPX4 VPX5,VPX9,VSD7,VSD9,VSH7,VWA2,VWN2,VWT4,VW12,VXB7,VXB9,VXE6 VXE7,VXE9,VXQ4,VXU1,VX2
			8	8	-	-	-----	VS37,VS39
			-	-	-	6	-----	
7	35120-Z0D-V81	SWITCH ASSY., ENGINE STOP ...	1	-	-	-	-----	QE,QHQ4,QH26,RHG4,RHQ4,RH26,SHQ4,VKQ4
8	32197-ZH8-003	SUB HARNESS	1	1	-	-	-----	VME4,VWA2
9	36100-ZH9-V02	SWITCH ASSY., ENGINE STOP (SDMO)	1	-	-	-	-----	VS37,VS39
	36100-ZH9-V03	-	1	-	-	-----	VS37,VS39
10	35120-Z5T-003	SWITCH ASSY., ENGINE STOP ...	-	-	1	1	-----	HA2,HX26,LXU,PA2,QAG2,QAQ4,QAR2,QAW,QA2,QA26,QA4,QE,QHQ4,QH26 QXB7,QXB9,QXQ4,QXUZ,RA2,RHQ4,RH26,RSC2,SHQ4,SMC4,SWA4,SWC4 SBX7,SXQ4,SXU,VA2,VKQ4,VNT2,VN17,VSD7,VXB7,VXU1
11	90004-Z5T-000	SCREW, TAPPING, (PO)(3X6) ...	-	-	2	2	-----	HA2,HX26,LXU,PA2,QAG2,QAQ4,QAR2,QAW,QA2,QA26,QA4,QE,QHQ4,QH26 QXB7,QXB9,QXQ4,QXUZ,RA2,RHQ4,RH26,RSC2,SHQ4,SMC4,SWA4,SWC4 SBX7,SXQ4,SXU,VA2,VKQ4,VNT2,VN17,VSD7,VXB7,VXU1

E-12-1

FAN COVER(2)

F15



Ref. No.	L.O.N.	(Relative ref. Number) Description	F.R.T.
1	114169	COVER, ENGINE COOLING FAN(A)	0.3

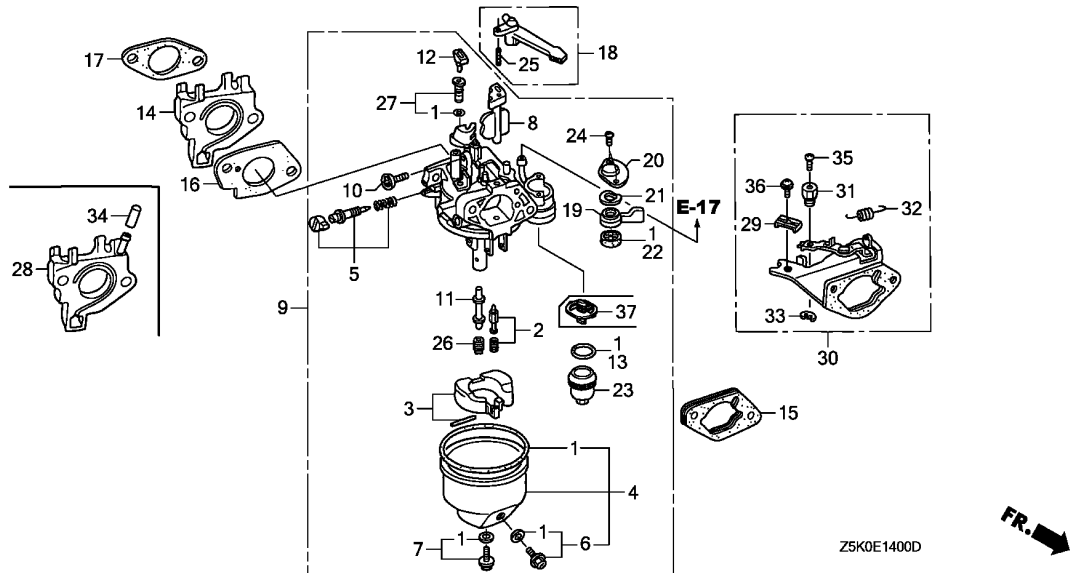
Ref. No.	Part No.	Description	Reqd. QTY				Serial No.	Parts catalogue code
			GX 270	GX 270	GX 270	GX 270		
1	19610-Z5K-W00ZA	COVER COMP., FAN	-	-	1	-	-	-
		NH1.....BLACK	-	-	1	-	-	QZA2,QZX4,VZX7
	19610-Z5K-W00ZB	*R280*.....POWER RED	-	-	1	-	-	QZA2,QZX4,VZX7
2	19619-ZL8-300	COLLAR, FAN COVER	-	-	4	-	-	QZA2,QZX4,VZX7
3	19631-Z5K-000	SHROUD	-	-	1	-	-	QZA2,QZX4,VZX7
4	30421-Z5K-W00	COVER, ELECTRONIC PARTS	-	-	1	-	-	QZA2,QZX4,VZX7
5	90002-Z5K-W00	BOLT, STUD (SEL)	-	-	1	-	-	QZA2,QZX4,VZX7
6	90003-Z2E-000	BOLT, SPECIAL, 6MM	-	-	1	-	-	QZA2,QZX4,VZX7
7	90003-Z5T-W00	BOLT, STUD	-	-	1	-	-	QZA2,QZX4,VZX7
8	90007-Z5T-W00	BOLT B, STUD	-	-	1	-	-	QZA2,QZX4,VZX7
9	90013-883-000	BOLT, FLANGE, 6X12(CT200)	-	-	1	-	-	QZA2,QZX4,VZX7
10	90121-952-000	BOLT, FLANGE, 6X25(CT200)	-	-	1	-	-	QZA2,QZX4,VZX7
11	93913-25580	SCREW, TAPPING, 5X20	-	-	2	-	-	QZA2,QZX4,VZX7

2

E-14

CARBURETOR(1)

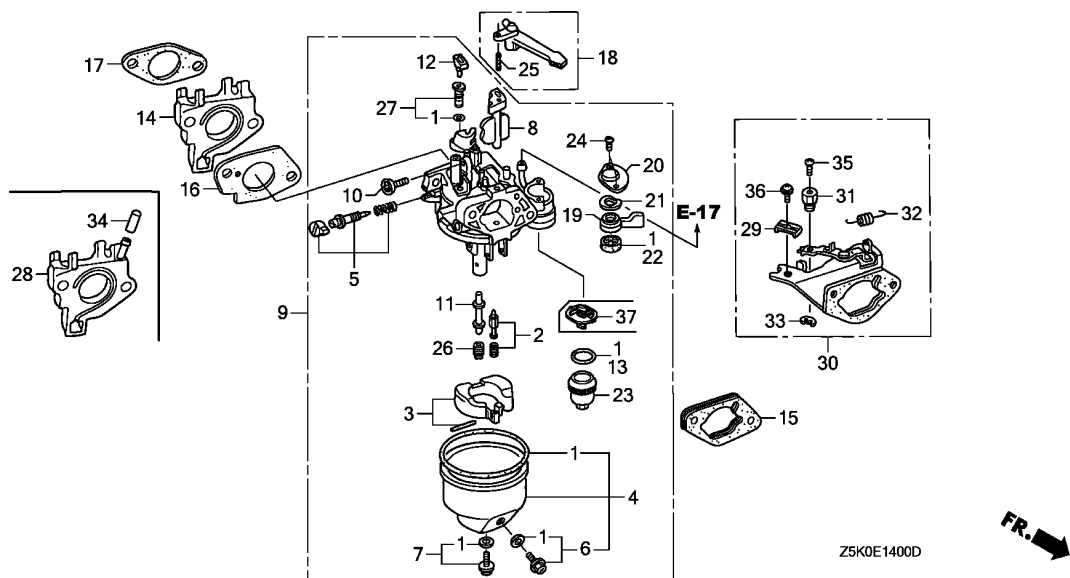
F16



Ref. No.	L.O.N.	(Relative ref. Number) Description	F.R.T.
1	3111B1	GASKET SET, CARBURETOR (3)	0.3
2	3111E1	VALVE SET, FLOAT AND/OR FLOAT SET	0.3
5	3111D7	SCREW SET, PILOT	0.2
9	3111F3	CARBURETOR (37)	0.2
13	3101L6	PACKING, FUEL STRAINER CUP (17,28)	0.2
14	3111C0	INSULATOR, CARBURETOR AND/OR PACKING, INSULATOR	0.2
15	3111D9	SPACER, CARBURETOR	0.2
16	3111C8	PACKING, CARBURETOR	0.2
18	8101F9	LEVER, CARBURETOR CHOKE	0.2
22	3101C5	PACKING, FUEL COCK (11)	0.2
26	3111C3	JET, MAIN	0.3
30	3111G3	STAY, CHOKE CONTROL	0.2

Ref. No.	Part No.	Description	Reqd. QTY				Serial No.	Parts catalogue code
			GX 270 UT	GX 270 RT	GX 270 UT2	GX 270 RT2		
1	16010-ZE2-812	GASKET SET	1	1	1	-	HA2,HEA2,HEA8,HKS8,HXQ4,HX26,HX8,LXE8,LXQ4,LXU,PAE2,PA2,PXED,PXE8,PXU,PX26,QA2,QA6,QAG2,QAQ4,QAR2,QAW,QA2,QA26,QA4,QE,QHB4,QHQ4,QH26,QKE4,QME2,QSC9,QSE8,QWA4,QWH2,QXB2,QXB6,QXB7,QXB9,QXC4,QXC2,QXC4,QXC6,QXC9,QXE4,QXE8,QXQ4,QXU,QXUZ,RA2,RHE2,RHE4,RHG4,RHQ4,RH26,RSC2,RXQ4,RXU,SHQ4,SME1,SME6,SWA2,SWA4,SWC4,SWS4,SWB7,SWB9,SXE4,SXE8,SXQ4,SXU,VAG2,VA2,VDE2,VKB2,VKQ4,VMA4,VME4,VNT2,VN17,VSD7,VSD9,VSH7,VWA2,VWN2,VWT4,VW12,VXB7,VXB9,VXE6,VXE7,VXE9,VXQ4,VXU1,VX2	
	16010-ZE2-015		-	-	-	1	SMC2,SMC4	
2	16011-ZA0-931	VALVE SET, FLOAT	1	1	1	-	HA2,HEA2,HEA8,HKS8,HXQ4,HX26,HX8,LXE8,LXQ4,LXU,PAE2,PA2,PXED,PXE8,PXU,PX26,QA2,QA6,QAG2,QAQ4,QAR2,QAW,QA2,QA26,QA4,QE,QHB4,QHQ4,QH26,QKE4,QME2,QSC9,QSE8,QWA4,QWH2,QXB2,QXB6,QXB7,QXB9,QXC4,QXC2,QXC4,QXC6,QXC9,QXE4,QXE8,QXQ4,QXU,QXUZ,RA2,RHE2,RHE4,RHG4,RHQ4,RH26,RSC2,RXQ4,RXU,SHQ4,SMC2,SMC4,SME1,SME6,SWA2,SWA4,SWC4,SWS4,SWB7,SWB9,SXE4,SXE8,SXQ4,SXU,VAG2,VA2,VDE2,VKB2,VKQ4,VMA4,VME4,VNT2,VN17,VSD7,VSD9,VSH7,VWA2,VWN2,VWT4,VW12,VXB7,VXB9,VXE6,VXE7,VXE9,VXQ4,VXU1,VX2	
3	16013-Z1C-003	FLOAT SET	1	1	1	-	HA2,HEA2,HEA8,HKS8,HXQ4,HX26,HX8,LXE8,LXQ4,LXU,PAE2,PA2,PXED,PXE8,PXU,PX26,QA2,QA6,QAG2,QAQ4,QAR2,QAW,QA2,QA26,QA4,QE,QHB4,QHQ4,QH26,QKE4,QME2,QSC9,QSE8,QWA4,QWH2,QXB2,QXB6,QXB7,QXB9,QXC2,QXC4,QXC6,QXE4,QXE8,QXQ4,QXU,QXUZ,RA2,RHE2,RHE4,RHG4,RHQ4,RH26,RSC2,RXQ4,RXU,SHQ4,SMC2,SMC4,SME1,SME6,SWA2,SWA4,SWC4,SWS4,SWB7,SWB9,SXE4,SXE8,SXQ4,SXU,VAG2,VA2,VDE2,VKB2,VKQ4,VMA4,VME4,VNT2,VN17,VSD7,VSD9,VSH7,VWA2,VWN2,VWT4,VW12,VXB7,VXB9,VXE6,VXE7,VXE9,VXQ4,VXU1,VX2	
	16013-ZA0-931		1	-	-	-	QXCU,QXC2,QXC4,QXC9,SMC2,SMC4,SME6	





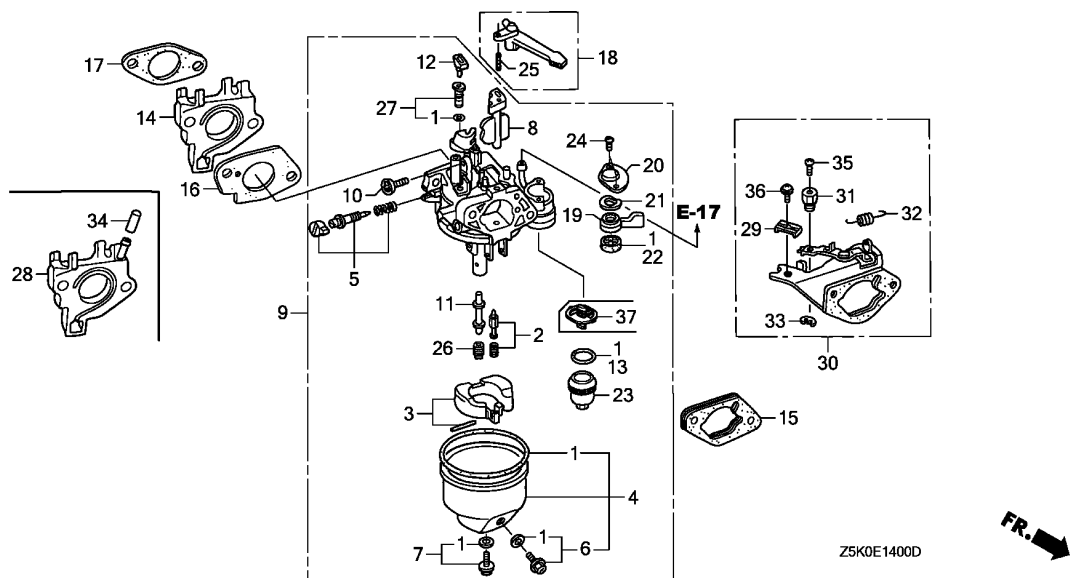
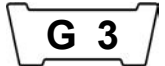
Ref. No.	Part No.	Description	Reqd. QTY				Serial No.	Parts catalogue code
			GX 270	GX 270	GX 270	GX 270		
4	16015-ZE8-005	CHAMBER SET, FLOAT	1	1	-	-	HA2,HEA2,HEA8,HKS8,HXQ4,HX26,HX8,LXE8,LXQ4,LXU,PAE2,PA2,PXED,PXE8,PXU,PX26,QA2,QA6,QAG2,QAQ4,QAR2,QAW,QA2,QA26,QA4,QE,QHB4,QHQ4,QH26,QKE4,QME2,QSC9,QSE8,QWA4,QWH2,QXB2,QXB6,QXB7,QXB9,QXCU,QXC2,QXC4,QXC6,QXC9,QXE4,QXE8,QXQ4,QXU,QXUZ,RA2,RHE2,RHE4,RHG4,RHQ4,RH26,RSC2,RXQ4,RXU,SHQ4,SMC2,SMC4,SME1,SME6,SWA2,SWA4,SWC4,SWS4,SXB7,SXB9,SXE4,SXE8,SXQ4,SXU,VAG2,VA2,VDE2,VKB2,VKQ4,VMA4,VME4,VNT2,VN17,VSD7,VSD9,VSH7,VWA2,VWN2,VWT4,VW12,VXB7,VXB9,VXE6,VXE7,VXE9,VXQ4,VXU1,VX2	
	16015-Z5T-901	-	-	1	-	HA2,HEA2,HKS8,HX26,LXU,PAE2,PA2,QA2,QA6,QAQ4,QAR2,QAW,QA2,QA26,QA4,QE,QHB4,QHQ4,QH26,QKE4,QME2,QXB7,QXB9,QXE4,QXE8,QXQ4,QXUZ,RA2,RHE4,RHQ4,RH26,SHQ4,SMC4,SWA4,SWC4,SXB7,SXE4,SXQ4,SXU,VA2,VKQ4,VSD7,VXB7,VXE7,VXU1	
5	16016-ZH7-W01	SCREW SET, PILOT	1	1	1	-	HA2,HEA2,HEA8,HKS8,HXQ4,HX26,HX8,LXE8,LXQ4,LXU,PAE2,PA2,PXED,PXE8,PXU,PX26,QA2,QA6,QAG2,QAQ4,QAR2,QAW,QA2,QA26,QA4,QHB4,QHQ4,QH26,QKE4,QME2,QSC9,QSE8,QWA4,QWH2,QXB2,QXB6,QXB7,QXB9,QXCU,QXC2,QXC4,QXC6,QXC9,QXE4,QXE8,QXQ4,QXU,QXUZ,RA2,RHE2,RHE4,RHG4,RHQ4,RH26,RSC2,RXQ4,RXU,SHQ4,SME1,SWA2,SWA4,SWC4,SWS4,SXB7,SXB9,SXE4,SXE8,SXQ4,SXU,VAG2,VA2,VDE2,VKB2,VKQ4,VMA4,VME4,VNT2,VN17,VSD7,VSD9,VSH7,VWA2,VWN2,VW12,VXB7,VXB9,VXE6,VXE7,VXE9,VXQ4,VXU1,VX2	
	16016-ZH8-W01	SCREW SET	1	1	-	-	QE,SMC4	
							QE,SMC2,SMC4,SME6,VWT4	

Ref. No.	Part No.	Description	Reqd. QTY				Serial No.	Parts catalogue code
			GX 270 UT	GX 270 RT	GX 270 UT2	GX 270 RT2		
6	16024-ZE1-811	SCREW SET, DRAIN	1	1	-	-	HA2,HEA2,HEA8,HKS8,HXQ4,HX26,HX8,LXE8,LXQ4,LXU,PAE2,PA2,PXED PXEB,PXU,PX26,QA2,QA6,QAG2,QAQ4,QAR2,QAW,QA2,QA26,QA4,QA QHB4,QHQ4,QH26,QKE4,QME2,QSC9,QSE8,QWA4,QWH2,QXB2,QXB6,QXB7 QXB9,QXCU,QXC2,QXC4,QXC6,QXC9,QXE4,QXE8,QXQ4,QXU,QXUZ,RA2,RHE2 RHE4,RHG4,RHQ4,RH26,RSC2,RXQ4,RXU,SHQ4,SMC2,SMC4,SME1,SME6 SWA2,SWA4,SWC4,SWS4,SWB7,SWB9,SXE4,SXE8,SXQ4,SXU,VAG2,VA2,VDE2 VKB2,VKQ4,VMA4,VME4,VNT2,VN17,VSD7,VSD9,VSH7,VWA2,VWN2,VWT4 VW12,VXB7,VXB9,VXE6,VXE7,VXE9,VXQ4,VXU1,VX2	
	16024-Z5T-901	-	-	1	-	HA2,HEA2,HKS8,HX26,LXU,PAE2,PA2,QA2,QAG2,QAQ4,QAR2,QAW,QA2 QA26,QA4,QA,QHB4,QHQ4,QH26,QKE4,QME2,QXB7,QXB9,QXE4,QXE8,QXQ4 QXUZ,RA2,RHE4,RHQ4,RH26,SHQ4,SMC4,SWA4,SWC4,SWB7,SXE4,SXQ4,SXU VA2,VKQ4,VSD7,VXB7,VXE7,VXU1	
7	16028-ZE0-005	SCREW SET	1	1	-	-	HA2,HEA2,HEA8,HKS8,HXQ4,HX26,HX8,LXE8,LXQ4,LXU,PAE2,PA2,PXED PXEB,PXU,PX26,QA2,QA6,QAG2,QAQ4,QAR2,QAW,QA2,QA26,QA4,QA QHB4,QHQ4,QH26,QKE4,QME2,QSC9,QSE8,QWA4,QWH2,QXB2,QXB6,QXB7 QXB9,QXCU,QXC2,QXC4,QXC6,QXC9,QXE4,QXE8,QXQ4,QXU,QXUZ,RA2,RHE2 RHE4,RHG4,RHQ4,RH26,RSC2,RXQ4,RXU,SHQ4,SMC2,SMC4,SME1,SME6 SWA2,SWA4,SWC4,SWS4,SWB7,SWB9,SXE4,SXE8,SXQ4,SXU,VAG2,VA2,VDE2 VKB2,VKQ4,VMA4,VME4,VNT2,VN17,VSD7,VSD9,VSH7,VWA2,VWN2,VWT4 VW12,VXB7,VXB9,VXE6,VXE7,VXE9,VXQ4,VXU1,VX2	
	16028-Z5T-901	-	-	1	-	HA2,HEA2,HKS8,HX26,LXU,PAE2,PA2,QA2,QAG2,QAQ4,QAR2,QAW,QA2 QA26,QA4,QA,QHB4,QHQ4,QH26,QKE4,QME2,QXB7,QXB9,QXE4,QXE8,QXQ4 QXUZ,RA2,RHE4,RHQ4,RH26,SHQ4,SMC4,SWA4,SWC4,SWB7,SXE4,SXQ4,SXU VA2,VKQ4,VSD7,VXB7,VXE7,VXU1	
8	16044-ZE2-005	CHOKE SET	1	1	1	-	HA2,HEA2,HEA8,HKS8,HXQ4,HX26,HX8,LXE8,LXQ4,LXU,PAE2,PA2,PXED PXEB,PXU,PX26,QA2,QA6,QAG2,QAQ4,QAR2,QAW,QA2,QA26,QA4,QA QHB4,QHQ4,QH26,QKE4,QME2,QSC9,QSE8,QWA4,QWH2,QXB2,QXB6,QXB7 QXB9,QXCU,QXC2,QXC4,QXC6,QXC9,QXE4,QXE8,QXQ4,QXU,QXUZ,RA2,RHE2 RHE4,RHG4,RHQ4,RH26,RSC2,RXQ4,RXU,SHQ4,SMC2,SMC4,SME1,SME6 SWA2,SWA4,SWC4,SWS4,SWB7,SWB9,SXE4,SXE8,SXQ4,SXU,VAG2,VA2,VDE2 VKB2,VKQ4,VMA4,VME4,VNT2,VN17,VSD7,VSD9,VSH7,VWA2,VWN2,VWT4 VW12,VXB7,VXB9,VXE6,VXE7,VXE9,VXQ4,VXU1,VX2	
9	16100-ZH9-W01	CARBURETOR ASSY. (BE75A B/C)	1	-	-	-	QXCU,QXC9	
	16100-ZH9-802	CARBURETOR ASSY. (BE24B D) ..	1	-	-	-	QXC2,QXC4	
	16100-ZH9-812	CARBURETOR ASSY. (BE21B C) ..	1	-	-	-	SMC2,SMC4	
	16100-ZH9-822	CARBURETOR ASSY. (BE21A D/E)	1	-	-	-	SME6	
	16100-Z1D-W21	CARBURETOR ASSY. (BE78B A) ..	1	1	-	-	HA2,HEA2,HEA8,HKS8,HXQ4,HX26,HX8,LXE8,LXQ4,LXU,PAE2,PA2,PXED PXEB,PXU,PX26,QA2,QA6,QAG2,QAQ4,QAR2,QAW,QA2,QA26,QA4,QHB4 QHQ4,QH26,QKE4,QME2,QSE8,QXB2,QXB6,QXB7,QXB9,QXE4,QXE8,QXQ4 QXU,QXUZ,RA2,RHE2,RHE4,RHG4,RHQ4,RH26,RSC2,RXQ4,RXU,SHQ4,SME1 SWA2,SWA4,SWC4,SWS4,SWB7,SWB9,SXE4,SXE8,SXQ4,SXU,VAG2,VA2,VDE2 VKB2,VKQ4,VNT2,VN17,VSD7,VSD9,VSH7,VWA2,VWN2,VW12,VXB7,VXB9 VXE6,VXE7,VXE9,VXQ4,VXU1,VX2	
	16100-Z5K-801	CARBURETOR ASSY. (BE75J A) ..	1	-	-	-	QXC2,QXC4	
	16100-Z5K-811	CARBURETOR ASSY. (BE78C A) ..	1	-	-	-	QSC9,QWA4,QWH2,QXC6,VMA4,VME4	
	16100-Z5K-821	CARBURETOR ASSY. (BE75K A) ..	1	1	-	-	QE,SME6,VWT4	
	16100-Z5K-831	CARBURETOR ASSY. (BE76F A) ..	1	-	-	-	SMC2,SMC4	
	16100-Z5K-Y01	CARBURETOR ASSY. (BE21J A) ..	-	-	1	1	HA2,HEA2,HKS8,HX26,LXU,PAE2,PA2,QA2,QAG2,QAQ4,QAR2,QAW,QA2 QA26,QA4,QHB4,QHQ4,QH26,QKE4,QME2,QXB7,QXB9,QXE4,QXE8,QXQ4 QXUZ,RA2,RHE4,RHQ4,RH26,RSC2,SHQ4,SWA4,SWC4,SWB7,SXE4,SXQ4,SXU VA2,VDE2,VKB2,VKQ4,VNT2,VN17,VSD7,VXB7,VXE7,VXU1	
	16100-Z5K-731	CARBURETOR ASSY. (BE76H A) ..	-	-	1	-	SMC4	
	16100-Z5K-721	CARBURETOR ASSY. (BE75L A) ..	-	-	1	1	QE,VWT4	



E-14

CARBURETOR(1)



Ref. No.	Part No.	Description	Reqd. QTY				Serial No.	Parts catalogue code
			GX 270 UT	GX 270 RT	GX 270 UT2	GX 270 RT2		
10	16124-ZE0-005	SCREW, THROTTLE STOP	1	1	1	-	HA2,HEA2,HEA8,HKS8,HXQ4,HX26,HX8,LXE8,LXQ4,LXU,PAE2,PA2,PXED,PXE8,PXU,PX26,QAE2,QAE6,QAG2,QAQ4,QAR2,QAW,QA2,QA26,QA4,QE,QHB4,QHQ4,QH26,QKE4,QME2,QSC9,QSE8,QWA4,QWH2,QXB2,QXB6,QXB7,QXB9,QXCU,QXC2,QXC4,QXC6,QXC9,QXE4,QXE8,QXQ4,QXU,QXUZ,RA2,RHE2,RHE4,RHG4,RHQ4,RH26,RSC2,RXQ4,RXU,SHQ4,SMC2,SMC4,SME1,SME6,SWA2,SWA4,SWC4,SWS4, SXB7, SXB9, SXE4, SXE8, SXQ4, SXU, VAG2, VA2, VDE2, VKB2, VKQ4, VMA4, VME4, VNT2, VN17, VSD7, VSD9, VSH7, VWA2, VWN2, VWT4, VW12, VXB7, VXB9, VXE6, VXE7, VXE9, VXQ4, VXU1, VX2	
			-	-	-	1		
11	16166-ZH9-W20	NOZZLE, MAIN	1	1	-	-	HA2,HEA2,HEA8,HKS8,HXQ4,HX26,HX8,LXE8,LXQ4,LXU,PAE2,PA2,PXED,PXE8,PXU,PX26,QAE2,QAE6,QAG2,QAQ4,QAR2,QAW,QA2,QA26,QA4,QHB4,QHQ4,QH26,QKE4,QME2,QSE8,QXB2,QXB6,QXB7,QXB9,QXE4,QXE8,QXQ4,QXU,QXUZ,RA2,RHE2,RHE4,RHG4,RHQ4,RH26,RSC2,RXQ4,RXU,SHQ4,SME1,SWA2,SWA4,SWC4,SWS4, SXB7, SXB9, SXE4, SXE8, SXQ4, SXU, VAG2, VA2, VDE2, VKB2, VKQ4, VNT2, VN17, VSD7, VSD9, VSH7, VWA2, VWN2, VW12, VXB7, VXB9, VXE6, VXE7, VXE9, VXQ4, VXU1, VX2	
	16166-ZH9-820	1	1	-	-	QE, SMC2, SMC4, SME6, VWT4	
	16166-ZH9-W00	1	-	-	-	QSC9, QWA4, QWH2, QXCU, QXC6, QXC9, VMA4, VME4	
	16166-ZH9-000	1	-	-	-	QXC2, QXC4	
	16166-Z5K-Y01	-	-	1	-	HA2,HEA2,HKS8,HX26,LXU,PAE2,PA2,QAE2,QAG2,QAQ4,QAR2,QAW,QA2,QA26,QA4,QE,QHB4,QHQ4,QH26,QKE4,QME2,QXB7,QXB9,QXE4,QXE8,QXQ4,QXUZ,RA2,RHE4,RHQ4,RH26,SHQ4,SMC4,SWA4,SWC4,SXB7,SXE4,SXQ4,SXU,VA2,VKQ4,VSD7,VXB7,VXE7,VXU1	
			-	-	-	1		

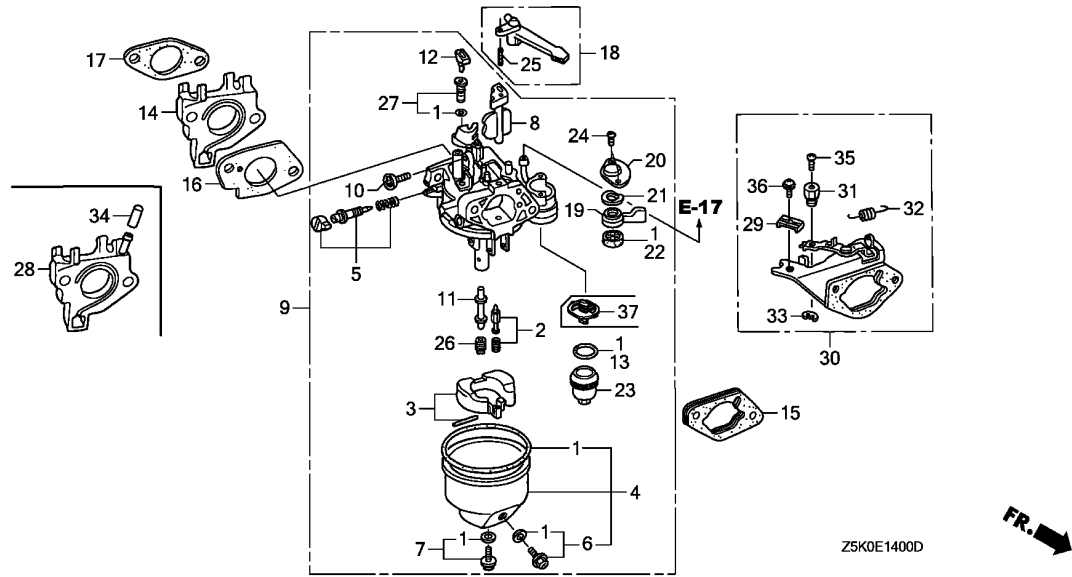
2

Ref. No.	Part No.	Description	Reqd. QTY				Serial No.	Parts catalogue code
			GX 270 UT	GX 270 RT	GX 270 UT2	GX 270 RT2		
12	16172-ZE3-W10	COLLAR, SETTING	1	1	1	-	HA2,HEA2,HEA8,HKS8,HXQ4,HX26,HX8,LXE8,LXQ4,LXU,PAE2,PA2,PXED PX8,PXU,PX26,QAE2,QAE6,QAG2,QAQ4,QAR2,QAW,QA2,QA26,QA4,QE QHB4,QHQ4,QH26,QKE4,QME2,QSC9,QSE8,QWA4,QWH2,QXB2,QXB6,QXB7 QXB9,QXCU,QXC2,QXC4,QXC6,QXC9,QXE4,QXE8,QXQ4,QXU,QXUZ,RA2,RHE2 RHE4,RHG4,RHQ4,RH26,RSC2,RXQ4,RXU,SHQ4,SMC2,SMC4,SME1,SME6 SWA2,SWA4,SWC4,SWS4,SBX7,SBX9,SXE4,SXE8,SXQ4,SXU,VAG2,VA2,VDE2 VKB2,VKQ4,VMA4,VME4,VNT2,VN17,VSD7,VSD9,VSH7,VWA2,VWN2,VWT4 VW12,VXB7,VXB9,VXE6,VXE7,VXE9,VXQ4,VXU1,VX2	
13	16173-001-004	PACKING, FUEL STRAINER CUP ..	-	-	-	1	HA2,HEA2,HEA8,HKS8,HXQ4,HX26,HX8,LXE8,LXQ4,LXU,PAE2,PA2,PXED PX8,PXU,PX26,QAE2,QAE6,QAG2,QAQ4,QAR2,QAW,QA2,QA26,QA4,QE QHB4,QHQ4,QH26,QKE4,QME2,QSC9,QSE8,QWA4,QWH2,QXB2,QXB6,QXB7 QXB9,QXCU,QXC2,QXC4,QXC6,QXC9,QXE4,QXE8,QXQ4,QXU,QXUZ,RA2,RHE2 RHE4,RHG4,RHQ4,RH26,RSC2,RXQ4,RXU,SHQ4,SME1,SME6,SWA2,SWA4 SWC4,SWS4,SBX7,SBX9,SXE4,SXE8,SXQ4,SXU,VAG2,VA2,VDE2,VKB2,VKQ4 VMA4,VME4,VNT2,VN17,VSD7,VSD9,VSH7,VWA2,VWN2,VWT4,VW12,VXB7 VXB9,VXE6,VXE7,VXE9,VXQ4,VXU1,VX2	
14	16211-ZE2-000	INSULATOR, CARBURETOR	1	1	-	-	HA2,HEA2,HEA8,HKS8,HXQ4,HX26,HX8,LXE8,LXQ4,LXU,PAE2,PA2,PXED PX8,PXU,PX26,QAE2,QAE6,QAG2,QAQ4,QAR2,QAW,QA2,QA26,QA4,QE QHB4,QHQ4,QH26,QME2,QSC9,QSE8,QWA4,QWH2,QXB2,QXB6,QXB7,QXB9 QXCU,QXC2,QXC4,QXC6,QXC9,QXE4,QXE8,QXQ4,QXU,QXUZ,RA2,RHE2,RHE4 RHQ4,RH26,RSC2,RXQ4,RXU,SHQ4,SMC2,SMC4,SME1,SME6,SWA2,SWA4 SWC4,SWS4,SBX7,SBX9,SXE4,SXE8,SXQ4,SXU,VAG2,VA2,VDE2,VKB2,VKQ4 VMA4,VME4,VNT2,VN17,VSD7,VSD9,VSH7,VWA2,VWN2,VWT4,VW12,VXB7 VXB9,VXE6,VXE7,VXE9,VXQ4,VXU1,VX2	
	16211-ZE2-010	-	-	1	-	HA2,HEA2,HKS8,HX26,LXU,PAE2,PA2,QAE2,QAG2,QAQ4,QAR2,QAW,QA2 QA26,QA4,QE,QHB4,QHQ4,QH26,QME2,QXB7,QXB9,QXE4,QXE8,QXQ4,QXUZ RA2,RHE4,RHQ4,RH26,SHQ4,SMC4,SWA4,SWC4,SBX7,SXE4,SXQ4,SXU,VA2 VKQ4,VSD7,VXB7,VXE7,VXU1	
15	16220-ZA0-702	SPACER COMP., CARBURETOR	1	1	1	-	HA2,HEA2,HEA8,HKS8,HXQ4,HX26,HX8,LXE8,LXQ4,LXU,PAE2,PA2,PXED PX8,PXU,PX26,QAE2,QAE6,QAG2,QAQ4,QAR2,QAW,QA2,QA26,QA4,QE QHB4,QHQ4,QH26,QSC9,QSE8,QWA4,QWH2,QXB2,QXB6,QXB7,QXB9,QXCU QXC2,QXC4,QXC6,QXC9,QXE4,QXE8,QXQ4,QXU,QXUZ,RA2,RHE2,RHE4,RHG4 RHQ4,RH26,RSC2,RXQ4,RXU,SHQ4,SMC2,SMC4,SME1,SME6,SWA2,SWA4 SWC4,SWS4,SBX7,SBX9,SXE4,SXE8,SXQ4,SXU,VAG2,VA2,VDE2,VKB2,VKQ4 VMA4,VME4,VNT2,VN17,VSD7,VSD9,VSH7,VWA2,VWN2,VWT4,VW12,VXB7 VXB9,VXE6,VXE7,VXE9,VXQ4,VXU1,VX2	
16	16221-ZA0-800	PACKING, CARBURETOR	1	1	-	-	HA2,HEA2,HEA8,HKS8,HXQ4,HX26,HX8,LXE8,LXQ4,LXU,PAE2,PA2,PXED PX8,PXU,PX26,QAE2,QAE6,QAG2,QAQ4,QAR2,QAW,QA2,QA26,QA4,QE QHB4,QHQ4,QH26,QKE4,QME2,QSC9,QSE8,QWA4,QWH2,QXB2,QXB6,QXB7 QXB9,QXCU,QXC2,QXC4,QXC6,QXC9,QXE4,QXE8,QXQ4,QXU,QXUZ,RA2,RHE2 RHE4,RHG4,RHQ4,RH26,RSC2,RXQ4,RXU,SHQ4,SMC2,SMC4,SME1,SME6 SWA2,SWA4,SWC4,SWS4,SBX7,SBX9,SXE4,SXE8,SXQ4,SXU,VAG2,VA2,VDE2 VKB2,VKQ4,VMA4,VME4,VNT2,VN17,VSD7,VSD9,VSH7,VWA2,VWN2,VWT4 VW12,VXB7,VXB9,VXE6,VXE7,VXE9,VXQ4,VXU1,VX2	
	16221-Z5K-000	-	-	1	-	HA2,HEA2,HKS8,HX26,LXU,PAE2,PA2,QAE2,QAG2,QAQ4,QAR2,QAW,QA2 QA26,QA4,QE,QHB4,QHQ4,QH26,QKE4,QME2,QXB7,QXB9,QXE4,QXE8,QXQ4 QXUZ,RA2,RHE4,RHQ4,RH26,SHQ4,SMC4,SWA4,SWC4,SBX7,SXE4,SXQ4,SXU VA2,VKQ4,VSD7,VXB7,VXE7,VXU1	



E-14

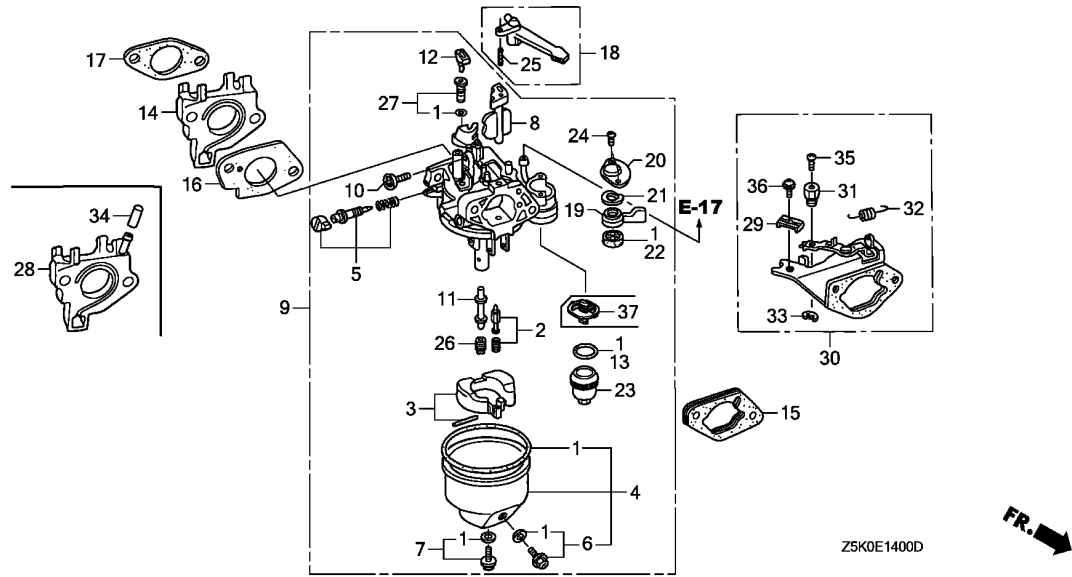
CARBURETOR(1)



Ref. No.	Part No.	Description	Reqd. QTY				Serial No.	Parts catalogue code
			GX 270	GX 270	GX 270	GX 270		
17	16223-ZA0-800	PACKING, INSULATOR	1	1	-	-	HA2,HEA2,HEA8,HKS8,HXQ4,HX26,HX8,LXE8,LXQ4,LXU,PAE2,PA2,PXED,PXE8,PXU,PX26,QA2,QA6,QAG2,QAQ4,QAR2,QAW,QA2,QA26,QA4,QE,QHB4,QHQ4,QH26,QKE4,QME2,QSC9,QSE8,QWA4,QWH2,QXB2,QXB6,QXB7,QXB9,QXCU,QXC2,QXC4,QXC6,QXC9,QXE4,QXE8,QXQ4,QXU,QXUZ,RA2,RHE2,RHE4,RHG4,RHQ4,RH26,RSC2,RXQ4,RXU,SHQ4,SMC2,SMC4,SME1,SME6,SWA2,SWA4,SWC4,SWS4,SWB7,SWB9,SXE4,SXE8,SXQ4,SXU,VAG2,VA2,VDE2,VKB2,VKQ4,VMA4,VME4,VNT2,VN17,VSD7,VSD9,VSH7,VWA2,VWN2,VWT4,VW12,VXB7,VXB9,VXE6,VXE7,VXE9,VXQ4,VXU1,VX2	
	16212-Z5K-000		-	-	1	-	HA2,HEA2,HKS8,HX26,LXU,PAE2,PA2,QA2,QAG2,QAQ4,QAR2,QAW,QA2,QA26,QA4,QE,QHB4,QHQ4,QH26,QKE4,QME2,QXB7,QXB9,QXE4,QXE8,QXQ4,QXUZ,RA2,RHE4,RHQ4,RH26,SHQ4,SMC4,SWA4,SWC4,SWB7,SXE4,SXQ4,SXU,VA2,VKQ4,VSD7,VXB7,VXE7,VXU1	
18	16610-ZE1-000	LEVER COMP., CHOKE (STD.)	1	1	1	-	HA2,HEA2,HEA8,HKS8,HXQ4,HX26,HX8,LXE8,LXQ4,LXU,PAE2,PA2,PXED,PXE8,PXU,PX26,QA2,QA6,QAG2,QAQ4,QAR2,QAW,QA2,QA26,QA4,QE,QHB4,QHQ4,QH26,QSC9,QSE8,QWA4,QWH2,QXB2,QXB6,QXB7,QXB9,QXCU,QXC2,QXC4,QXC6,QXC9,QXE4,QXE8,QXQ4,QXU,QXUZ,RA2,RHE2,RHE4,RHG4,RHQ4,RH26,RSC2,RXQ4,RXU,SHQ4,SMC2,SMC4,SME1,SME6,SWA2,SWA4,SWC4,SWS4,SWB7,SWB9,SXE4,SXE8,SXQ4,SXU,VAG2,VA2,VDE2,VKB2,VKQ4,VMA4,VME4,VNT2,VN17,VSD7,VSD9,VSH7,VWA2,VWN2,VWT4,VW12,VXB7,VXB9,VXE6,VXE7,VXE9,VXQ4,VXU1,VX2	

Ref. No.	Part No.	Description	Reqd. QTY				Serial No.	Parts catalogue code
			GX 270 UT	GX 270 RT	GX 270 UT2	GX 270 RT2		
19	16953-ZE1-812	LEVER, COCK	1	1	1	-	HA2,HEA2,HEA8,HKS8,HXQ4,HX26,HX8,LXE8,LXQ4,LXU,PAE2,PA2,PXED PX8,PXU,PX26,QAE2,QAE6,QAG2,QAQ4,QAR2,QAW,QA2,QA26,QA4,QE QHB4,QHQ4,QH26,QKE4,QME2,QSC9,QSE8,QWA4,QWH2,QXB2,QXB6,QXB7 QXB9,QXCU,QXC2,QXC4,QXC6,QXC9,QXE4,QXE8,QXQ4,QXU,QXUZ,RA2,RHE2 RHE4,RHG4,RHQ4,RH26,RSC2,RXQ4,RXU,SHQ4,SMC2,SMC4,SME1,SME6 SWA2,SWA4,SWC4,SWS4, SXB7, SXB9, SXE4, SXE8, SXQ4, SXU, VAG2, VA2, VDE2 VKB2, VKQ4, VMA4, VME4, VNT2, VN17, VSD7, VSD9, VSH7, VWA2, VWN2, VWT4 VW12, VXB7, VXB9, VXE6, VXE7, VXE9, VXQ4, VXU1, VX2	
			-	-	-	1		
20	16954-ZE1-812	PLATE, LEVER SETTING	1	1	1	-	HA2,HEA2,HEA8,HKS8,HXQ4,HX26,HX8,LXE8,LXQ4,LXU,PAE2,PA2,PXED PX8,PXU,PX26,QAE2,QAE6,QAG2,QAQ4,QAR2,QAW,QA2,QA26,QA4,QE QHB4,QHQ4,QH26,QKE4,QME2,QSC9,QSE8,QWA4,QWH2,QXB2,QXB6,QXB7 QXB9,QXCU,QXC2,QXC4,QXC6,QXC9,QXE4,QXE8,QXQ4,QXU,QXUZ,RA2,RHE2 RHE4,RHG4,RHQ4,RH26,RSC2,RXQ4,RXU,SHQ4,SMC2,SMC4,SME1,SME6 SWA2,SWA4,SWC4,SWS4, SXB7, SXB9, SXE4, SXE8, SXQ4, SXU, VAG2, VA2, VDE2 VKB2, VKQ4, VMA4, VME4, VNT2, VN17, VSD7, VSD9, VSH7, VWA2, VWN2, VWT4 VW12, VXB7, VXB9, VXE6, VXE7, VXE9, VXQ4, VXU1, VX2	
			-	-	-	1		
21	16956-ZE1-811	SPRING, COCK LEVER	1	1	1	-	HA2,HEA2,HEA8,HKS8,HXQ4,HX26,HX8,LXE8,LXQ4,LXU,PAE2,PA2,PXED PX8,PXU,PX26,QAE2,QAE6,QAG2,QAQ4,QAR2,QAW,QA2,QA26,QA4,QE QHB4,QHQ4,QH26,QKE4,QME2,QSC9,QSE8,QWA4,QWH2,QXB2,QXB6,QXB7 QXB9,QXCU,QXC2,QXC4,QXC6,QXC9,QXE4,QXE8,QXQ4,QXU,QXUZ,RA2,RHE2 RHE4,RHG4,RHQ4,RH26,RSC2,RXQ4,RXU,SHQ4,SMC2,SMC4,SME1,SME6 SWA2,SWA4,SWC4,SWS4, SXB7, SXB9, SXE4, SXE8, SXQ4, SXU, VAG2, VA2, VDE2 VKB2, VKQ4, VMA4, VME4, VNT2, VN17, VSD7, VSD9, VSH7, VWA2, VWN2, VWT4 VW12, VXB7, VXB9, VXE6, VXE7, VXE9, VXQ4, VXU1, VX2	
			-	-	-	1		
22	16957-ZE1-812	PACKING, FUEL COCK	1	1	1	-	HA2,HEA2,HEA8,HKS8,HXQ4,HX26,HX8,LXE8,LXQ4,LXU,PAE2,PA2,PXED PX8,PXU,PX26,QAE2,QAE6,QAG2,QAQ4,QAR2,QAW,QA2,QA26,QA4,QE QHB4,QHQ4,QH26,QKE4,QME2,QSC9,QSE8,QWA4,QWH2,QXB2,QXB6,QXB7 QXB9,QXCU,QXC2,QXC4,QXC6,QXC9,QXE4,QXE8,QXQ4,QXU,QXUZ,RA2,RHE2 RHE4,RHG4,RHQ4,RH26,RSC2,RXQ4,RXU,SHQ4,SMC2,SMC4,SME1,SME6 SWA2,SWA4,SWC4,SWS4, SXB7, SXB9, SXE4, SXE8, SXQ4, SXU, VAG2, VA2, VDE2 VKB2, VKQ4, VMA4, VME4, VNT2, VN17, VSD7, VSD9, VSH7, VWA2, VWN2, VWT4 VW12, VXB7, VXB9, VXE6, VXE7, VXE9, VXQ4, VXU1, VX2	
			-	-	-	1		
23	16967-ZE0-811	CUP, FUEL STRAINER	1	1	1	-	HA2,HEA2,HEA8,HKS8,HXQ4,HX26,HX8,LXE8,LXQ4,LXU,PAE2,PA2,PXED PX8,PXU,PX26,QAE2,QAE6,QAG2,QAQ4,QAR2,QAW,QA2,QA26,QA4,QE QHB4,QHQ4,QH26,QKE4,QME2,QSC9,QSE8,QWA4,QWH2,QXB2,QXB6,QXB7 QXB9,QXCU,QXC2,QXC4,QXC6,QXC9,QXE4,QXE8,QXQ4,QXU,QXUZ,RA2,RHE2 RHE4,RHG4,RHQ4,RH26,RSC2,RXQ4,RXU,SHQ4,SMC2,SMC4,SME1,SME6 SWA2,SWA4,SWC4,SWS4, SXB7, SXB9, SXE4, SXE8, SXQ4, SXU, VAG2, VA2, VDE2 VKB2, VKQ4, VMA4, VME4, VNT2, VN17, VSD7, VSD9, VSH7, VWA2, VWN2, VWT4 VW12, VXB7, VXB9, VXE6, VXE7, VXE9, VXQ4, VXU1, VX2	
			-	-	-	1		
24	93500-03006-1H	SCREW, PAN, 3X6	2	2	2	-	HA2,HEA2,HEA8,HKS8,HXQ4,HX26,HX8,LXE8,LXQ4,LXU,PAE2,PA2,PXED PX8,PXU,PX26,QAE2,QAE6,QAG2,QAQ4,QAR2,QAW,QA2,QA26,QA4,QE QHB4,QHQ4,QH26,QKE4,QME2,QSC9,QSE8,QWA4,QWH2,QXB2,QXB6,QXB7 QXB9,QXCU,QXC2,QXC4,QXC6,QXC9,QXE4,QXE8,QXQ4,QXU,QXUZ,RA2,RHE2 RHE4,RHG4,RHQ4,RH26,RSC2,RXQ4,RXU,SHQ4,SMC2,SMC4,SME1,SME6 SWA2,SWA4,SWC4,SWS4, SXB7, SXB9, SXE4, SXE8, SXQ4, SXU, VAG2, VA2, VDE2 VKB2, VKQ4, VMA4, VME4, VNT2, VN17, VSD7, VSD9, VSH7, VWA2, VWN2, VWT4 VW12, VXB7, VXB9, VXE6, VXE7, VXE9, VXQ4, VXU1, VX2	
			-	-	-	2		





Ref. No.	Part No.	Description	Reqd. QTY				Serial No.	Parts catalogue code
			GX 270 UT	GX 270 RT	GX 270 UT2	GX 270 RT2		
25	94305-20122	PIN, SPRING, 2X12	1	1	1	-	HA2,HEA2,HEA8,HKS8,HXQ4,HX26,HX8,LXE8,LXQ4,LXU,PAE2,PA2,PXED,PXE8,PXU,PX26,QA2,QA6,QAG2,QAQ4,QAR2,QAW,QA2,QA26,QA4,QE,QHB4,QHQ4,QH26,QSC9,QSE8,QWA4,QWH2,QXB2,QXB6,QXB7,QXB9,QXCU,QXC2,QXC4,QXC6,QXC9,QXE4,QXE8,QXQ4,QXU,QXUZ,RA2,RHE2,RHE4,RHG4,RHQ4,RH26,RSC2,RXQ4,RXU,SHQ4,SMC2,SMC4,SME1,SME6,SWA2,SWA4,SWC4,SWS4,SWB7,SWB9,SXE4,SXE8,SXQ4,SXU,VAG2,VA2,VDE2,VKB2,VKQ4,VMA4,VME4,VNT2,VN17,VSD7,VSD9,VSH7,VWA2,VWN2,VWT4,VW12,VXB7,VXB9,VXE6,VXE7,VXE9,VXQ4,VXU1,VX2	
			-	-	-	1		
26	99101-ZH8-0800	JET, MAIN, #80	(1)	(1)	-	-	HA2,HEA2,HEA8,HKS8,HXQ4,HX26,HX8,LXE8,LXQ4,LXU,PAE2,PA2,PXED,PXE8,PXU,PX26,QA2,QA6,QAG2,QAQ4,QAR2,QAW,QA2,QA26,QA4,QE,QHB4,QHQ4,QH26,QKE4,QME2,QSE8,QXB2,QXB6,QXB7,QXB9,QXE4,QXE8,QXQ4,QXU,QXUZ,RA2,RHE2,RHE4,RHG4,RHQ4,RH26,RSC2,RXQ4,RXU,SHQ4,SME1,SWA2,SWA4,SWC4,SWS4,SWB7,SWB9,SXE4,SXE8,SXQ4,SXU,VAG2,VA2,VDE2,VKB2,VKQ4,VNT2,VN17,VSD7,VSD9,VSH7,VWA2,VWN2,VW12,VXB7,VXB9,VXE6,VXE7,VXE9,VXQ4,VXU1,VX2	
	99101-ZH8-0820	JET, MAIN, #82	(1)	(1)	(1)	-	HA2,HEA2,HEA8,HKS8,HXQ4,HX26,HX8,LXE8,LXQ4,LXU,PAE2,PA2,PXED,PXE8,PXU,PX26,QA2,QA6,QAG2,QAQ4,QAR2,QAW,QA2,QA26,QA4,QE,QHB4,QHQ4,QH26,QKE4,QME2,QSE8,QXB2,QXB6,QXB7,QXB9,QXE4,QXE8,QXQ4,QXU,QXUZ,RA2,RHE2,RHE4,RHG4,RHQ4,RH26,RSC2,RXQ4,RXU,SHQ4,SMC2,SMC4,SME1,SME6,SWA2,SWA4,SWC4,SWS4,SWB7,SWB9,SXE4,SXE8,SXQ4,SXU,VAG2,VA2,VDE2,VKB2,VKQ4,VNT2,VN17,VSD7,VSD9,VSH7,VWA2,VWN2,VWT4,VW12,VXB7,VXB9,VXE6,VXE7,VXE9,VXQ4,VXU1,VX2	
			-	-	-	(1)		

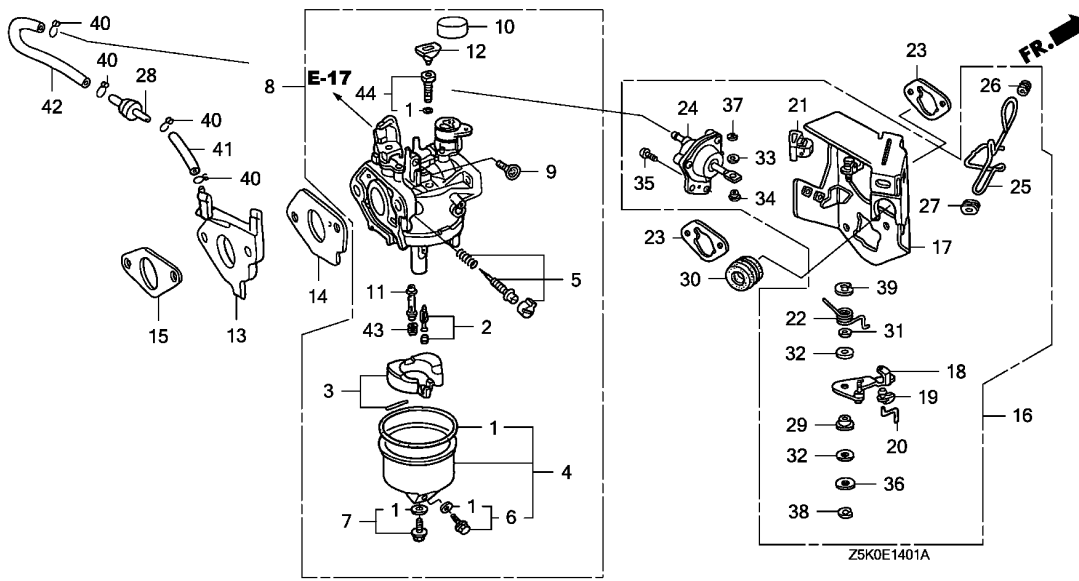
Ref. No.	Part No.	Description	Reqd. QTY				Serial No.	Parts catalogue code
			GX 270 UT	GX 270 RT	GX 270 UT2	GX 270 RT2		
26)	99101-ZH8-0850	JET, MAIN, #85	1	1	(1)	-	HA2,HEA2,HEA8,HKS8,HXQ4,HX26,HX8,LXE8,LXQ4,LXU,PAE2,PA2,PXED PX8,PXU,PX26,QAE2,QAE6,QAG2,QAQ4,QAR2,QAW,QA2,QA26,QA4,QHB4 QH4,QH26,QKE4,QME2,QSE8,QXB2,QXB6,QXB7,QXB9,QXE4,QXE8,QXQ4 QXU,QXUZ,RA2,RHE2,RHE4,RHG4,RHQ4,RH26,RSC2,RXQ4,RXU,SHQ4,SME1 SWA2,SWA4,SWC4,SWS4,SWB7,SWB9,SXE4,SXE8,SXQ4,SXU,VAG2,VA2,VDE2 VKB2,VKQ4,VNT2,VN17,VSD7,VSD9,VSH7,VWA2,VWN2,VW12,VXB7,VXB9 VXE6,VXE7,VXE9,VXQ4,VXU1,VX2	
			(1)	(1)	(1)	-	QE,SMC2,SMC4,SME6,VWT4	
	99101-ZH8-0880	JET, MAIN, #88	1	-	1	(1)	QE,SMC2,SMC4,SME6	
			(1)	-	-	-	QSC9,QWA4,QWH2,QXCU,QXC6,QXC9,VMA4,VME4	
			-	1	1	-	HA2,HEA2,HKS8,HX26,LXU,PAE2,PA2,QAE2,QAG2,QAQ4,QAR2,QAW,QA2 QA26,QA4,QHB4,QHQ4,QH26,QKE4,QME2,QXB7,QXB9,QXE4,QXE8,QXQ4 QXUZ,RA2,RHE4,RHQ4,RH26,SHQ4,SWA4,SWC4,SWB7,SXE4,SXQ4,SXU,VA2 VKQ4,VSD7,VWT4,VXB7,VXE7,VXU1	
	99101-ZH8-0900	JET, MAIN, #90	(1)	-	-	1	QSC9,QWA4,QWH2,QXCU,QXC2,QXC4,QXC6,QXC9,VMA4,VME4	
	99101-ZH8-0920	JET, MAIN, #92	1	-	-	-	QSC9,QWA4,QWH2,QXCU,QXC6,QXC9,VMA4,VME4	
			(1)	-	-	-	QXC2,QXC4	
	99101-ZH8-0950	JET, MAIN, #95	1	-	-	-	QXC2,QXC4	
27	99204-ZE0-0350	JET SET, PILOT, #35 (CARBURETOR NO.)	1	-	-	-	BE75A B QXC9	
	99204-ZE2-0400	JET SET, PILOT, #40	1	1	-	-	HA2,HEA2,HEA8,HKS8,HXQ4,HX26,HX8,LXE8,LXQ4,LXU,PAE2,PA2,PXED PX8,PXU,PX26,QAE2,QAE6,QAG2,QAQ4,QAR2,QAW,QA2,QA26,QA4,QE QHB4,QHQ4,QH26,QKE4,QME2,QSC9,QSE8,QWA4,QWH2,QXB2,QXB6,QXB7 QXB9,QXCU,QXC2,QXC4,QXC6,QXE4,QXE8,QXQ4,QXU,QXUZ,RA2,RHE2,RHE4 RHG4,RHQ4,RH26,RSC2,RXQ4,RXU,SHQ4,SMC2,SMC4,SME1,SME6,SWA2 SWA4,SWC4,SWS4,SWB7,SWB9,SXE4,SXE8,SXQ4,SXU,VAG2,VA2,VDE2,VKB2 VKQ4,VMA4,VME4,VNT2,VN17,VSD7,VSD9,VSH7,VWA2,VWN2,VWT4,VW12 VXB7,VXB9,VXE6,VXE7,VXE9,VXQ4,VXU1,VX2	
		(CARBURETOR NO.)	1	-	-	-	BE75A C QXC9	
	99204-ZE2-0380	JET SET, PILOT, #38	-	-	1	-	HA2,HEA2,HKS8,HX26,LXU,PAE2,PA2,QAE2,QAG2,QAQ4,QAR2,QAW,QA2 QA26,QA4,QE,QHB4,QHQ4,QH26,QKE4,QME2,QXB7,QXB9,QXE4,QXE8,QXQ4 QXUZ,RA2,RHE4,RHQ4,RH26,SHQ4,SMC4,SWA4,SWC4,SWB7,SXE4,SXQ4,SXU VA2,VKQ4,VSD7,VXB7,VXE7,VXU1	
			-	-	-	1		
28	16211-ZE2-700	INSULATOR, CARBURETOR	1	-	-	-	QKE4,RHG4	
	16211-ZE2-701		-	-	1	-	QKE4	
29	16576-891-000	HOLDER, CABLE	1	-	1	-	QKE4,QME2	
30	16590-ZE2-812	STAY ASSY., CHOKE CONTROL (REMOTE)	1	-	1	-	QKE4,QME2	
31	16594-883-010	HOLDER, WIRE	1	-	1	-	QKE4,QME2	
32	16615-ZE2-810	SPRING, RETURN	1	-	1	-	QKE4,QME2	
33	90605-230-000	CIRCLIP, 5MM	1	-	1	-	QKE4,QME2	
34	90634-ZL8-000	CAP, SEALING	1	-	1	-	QKE4,QME2	
35	93500-04006-0H	SCREW, PAN, 4X6	1	-	1	-	QKE4,QME2	
36	93893-05016-00	SCREW-WASHER, 5X16	1	-	1	-	QKE4,QME2	
37	16959-Z5T-901	FILTER, CUP	-	-	1	-	HA2,HEA2,HKS8,HX26,LXU,PAE2,PA2,QAE2,QAG2,QAQ4,QAR2,QAW,QA2 QA26,QA4,QE,QHB4,QHQ4,QH26,QKE4,QME2,QXB7,QXB9,QXE4,QXE8,QXQ4 QXUZ,RA2,RHE4,RHQ4,RH26,SHQ4,SMC4,SWA4,SWC4,SWB7,SXE4,SXQ4,SXU,VA2 VKQ4,VSD7,VXB7,VXE7,VXU1	
			-	-	-	1		



E-14-1

CARBURETOR(2)

G 9



Ref. No.	L.O.N.	(Relative ref. Number) Description	F.R.T.
1	3111G1	GASKET SET, CARBURETOR(A) (3)	0.4
2	3111G6	VALVE SET, FLOAT AND/OR FLOAT SET(A)	0.4
5	3111D7	SCREW SET, PILOT	0.2
8	3111G7	CARBURETOR(A) (15)	0.3
13	3111G2	INSULATOR, CARBURETOR AND/OR PACKING, INSULATOR(A)	0.3
14	3111G5	PACKING, CARBURETOR(A)	0.3
16	8101R1	STAY, MANUAL CHOKE	0.2
18	8101Z6	LEVER, CARBURETOR CHOKE(A)	0.3
23	3121D9	PACKING, AIR CLEANER	0.2
24	3111A7	DIAPHRAGM, CARBURETOR	0.3
28	311175	VALVE, DASHPOT CHECK (11)	0.1
43	3111G4	JET, MAIN(A)	0.4

2

Ref. No.	Part No.	Description	Reqd. QTY				Serial No.	Parts catalogue code
			GX 270	GX 270	GX 270	GX 270		
1	16010-ZF5-900	GASKET SET	1	1	-	-	VKX4,VPE2,VPE4,VPE5,VPX4,VPX5,VPX9,VS37,VS39	
2	16011-ZA0-931	VALVE SET, FLOAT	1	1	-	-	VKX4,VPE2,VPE4,VPE5,VPX4,VPX5,VPX9,VS37,VS39	
3	16013-ZA0-931	FLOAT SET	1	1	-	-	VKX4,VPX4,VPX5,VPX9,VS37,VS39	
	16013-Z1C-003		-	1	-	-	VPE2,VPE4,VPE5	
4	16015-ZE8-005	CHAMBER SET, FLOAT	1	1	-	-	VKX4,VPE2,VPE4,VPE5,VPX4,VPX5,VPX9,VS37,VS39	
5	16016-ZH8-W01	SCREW SET	1	1	-	-	VKX4,VPE2,VPE4,VPE5,VPX4,VPX5,VPX9,VS37,VS39	
6	16024-ZE1-811	SCREW SET, DRAIN	1	1	-	-	VKX4,VPE2,VPE4,VPE5,VPX4,VPX5,VPX9,VS37,VS39	
7	16028-ZE0-005	SCREW SET	1	1	-	-	VKX4,VPE2,VPE4,VPE5,VPX4,VPX5,VPX9,VS37,VS39	
8	16100-ZK9-R62	CARBURETOR ASSY. (BE77R B/C)	1	1	-	-	VPX5,VPX9,VS39	
	16100-Z5H-V02	CARBURETOR ASSY. (BE21F B/C)	1	1	-	-	VKX4,VPX4,VS37	
	16100-Z5K-R61	CARBURETOR ASSY. (BE77U A)	-	1	-	-	VPE5	
	16100-Z5K-V01	CARBURETOR ASSY. (BE77V A)	-	1	-	-	VPE2,VPE4	
9	16124-ZE0-005	SCREW, THROTTLE STOP	1	1	-	-	VKX4,VPE2,VPE4,VPE5,VPX4,VPX5,VPX9,VS37,VS39	
10	16148-141-881	CAP, CHOKE DUST	1	1	-	-	VKX4,VPE2,VPE4,VPE5,VPX4,VPX5,VPX9,VS37,VS39	
11	16166-ZH9-820	NOZZLE, MAIN	1	1	-	-	VKX4,VPE2,VPE4,VPE5,VPX4,VPX5,VPX9,VS37,VS39	
12	16172-ZE3-W10	COLLAR, SETTING	1	1	-	-	VKX4,VPE2,VPE4,VPE5,VPX4,VPX5,VPX9,VS37,VS39	
13	16211-ZE2-700	INSULATOR, CARBURETOR	1	1	-	-	VKX4,VPE2,VPE4,VPE5,VPX4,VPX5,VPX9,VS37,VS39	
14	16221-ZA0-800	PACKING, CARBURETOR	1	1	-	-	VKX4,VPE2,VPE4,VPE5,VPX4,VPX5,VPX9,VS37,VS39	
15	16223-ZA0-800	PACKING, INSULATOR	1	1	-	-	VKX4,VPE2,VPE4,VPE5,VPX4,VPX5,VPX9,VS37,VS39	
16	16260-ZE3-D21	STAY ASSY., MANUAL CHOKE	1	-	-	-	1122294 VKX4,VPX4,VPX5,VPX9,VS37,VS39	
	16260-ZE3-D22		1	-	-	-	1122295 VKX4,VPX4,VPX5,VPX9,VS37,VS39	
			-	1	-	-	VKX4,VPE2,VPE4,VPE5,VPX4,VPX5,VPX9,VS37,VS39	
17	16261-ZE2-702	STAY COMP., SOLENOID	1	1	-	-	VKX4,VPE2,VPE4,VPE5,VPX4,VPX5,VPX9,VS37,VS39	
18	16262-ZE2-711	LEVER, CHOKE	1	1	-	-	VKX4,VPE2,VPE4,VPE5,VPX4,VPX5,VPX9,VS37,VS39	
19	16263-ZA0-000	JOINT, ROD	1	1	-	-	VKX4,VPE2,VPE4,VPE5,VPX4,VPX5,VPX9,VS37,VS39	
20	16264-ZE2-701	ROD, CHOKE	1	1	-	-	VKX4,VPE2,VPE4,VPE5,VPX4,VPX5,VPX9,VS37,VS39	

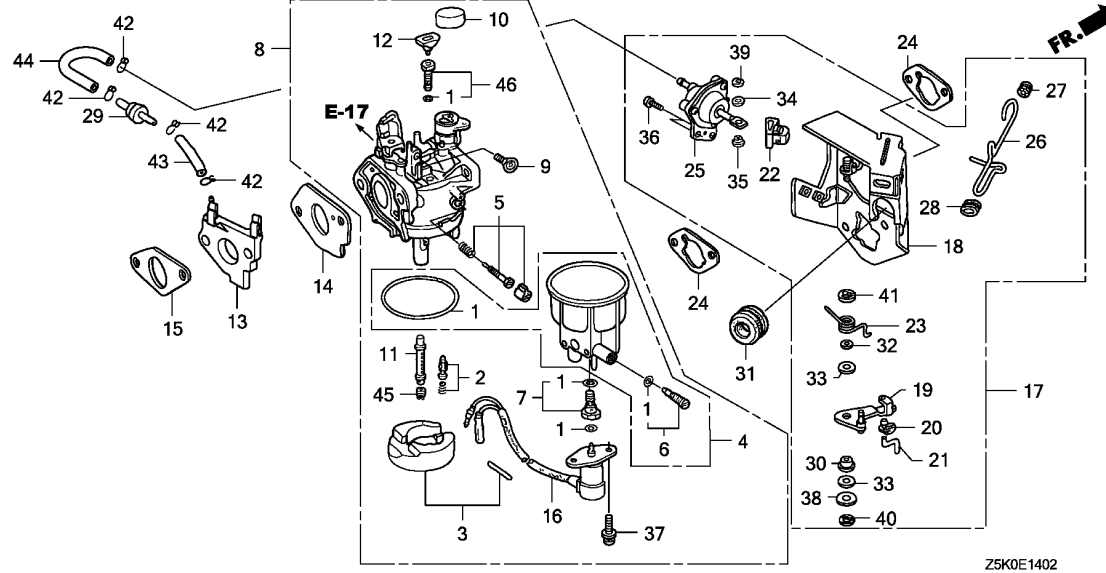
Ref. No.	Part No.	Description	Reqd. QTY				Serial No.	Parts catalogue code
			GX 270 UT	GX 270 RT	GX 270 UT2	GX 270 RT2		
21	16265-ZE2-721	STOPPER, CHOKE ROD	1	1	-	-	VKX4, VPE2, VPE4, VPE5, VPX4, VPX5, VPX9, VS37, VS39	
22	16268-ZE2-721	SPRING, MANUAL CHOKE	1	1	-	-	VKX4, VPE2, VPE4, VPE5, VPX4, VPX5, VPX9, VS37, VS39	
23	16269-ZA0-800	PACKING, AIR CLEANER	2	2	-	-	VKX4, VPE2, VPE4, VPE5, VPX4, VPX5, VPX9, VS37, VS39	
24	16400-ZE2-703	DIAPHRAGM ASSY.	1	-	-	-	1122294 VKX4, VPX4, VPX5, VPX9, VS37, VS39	
	16400-ZE2-704	1	-	-	-	1122295 VKX4, VPX4, VPX5, VPX9, VS37, VS39	
			-	1	-	-	VKX4, VPE2, VPE4, VPE5, VPX4, VPX5, VPX9, VS37, VS39	
25	16611-ZE3-D21	ROD, CHOKE CONTROL	1	1	-	-	VKX4, VPE2, VPE4, VPE5, VPX4, VPX5, VPX9, VS37, VS39	
26	16613-893-000	GROMMET, CHOKE ROD	1	1	-	-	VKX4, VPE2, VPE4, VPE5, VPX4, VPX5, VPX9, VS37, VS39	
27	16615-893-000	GUIDE, CHOKE ROD	1	1	-	-	VKX4, VPE2, VPE4, VPE5, VPX4, VPX5, VPX9, VS37, VS39	
28	36135-ZF6-D41	VALVE, DASHPOT CHECK	1	1	-	-	VKX4, VPE2, VPE4, VPE5, VPX4, VPX5, VPX9, VS37, VS39	
29	53149-964-003	BUSH, ARM PIVOT	1	1	-	-	VKX4, VPE2, VPE4, VPE5, VPX4, VPX5, VPX9, VS37, VS39	
30	88911-MJ3-000	GROMMET, FENDER	1	1	-	-	VKX4, VPE2, VPE4, VPE5, VPX4, VPX5, VPX9, VS37, VS39	
31	90431-ZE2-700	WASHER, CHOKE LEVER	1	1	-	-	VKX4, VPE2, VPE4, VPE5, VPX4, VPX5, VPX9, VS37, VS39	
32	90432-ZE2-700	SEAL, CHOKE LEVER	2	2	-	-	VKX4, VPE2, VPE4, VPE5, VPX4, VPX5, VPX9, VS37, VS39	
33	90433-ZE2-700	WASHER, THRUST, 2.7X8	1	1	-	-	VKX4, VPE2, VPE4, VPE5, VPX4, VPX5, VPX9, VS37, VS39	
34	90434-ZE2-700	COLLAR, LEVER	1	1	-	-	VKX4, VPE2, VPE4, VPE5, VPX4, VPX5, VPX9, VS37, VS39	
35	93500-05012-0A	SCREW, PAN, 5X12	2	2	-	-	VKX4, VPE2, VPE4, VPE5, VPX4, VPX5, VPX9, VS37, VS39	
36	94103-05000	WASHER, PLAIN, 5MM	1	1	-	-	VKX4, VPE2, VPE4, VPE5, VPX4, VPX5, VPX9, VS37, VS39	
37	94540-02010	E-RING, 2MM	1	1	-	-	VKX4, VPE2, VPE4, VPE5, VPX4, VPX5, VPX9, VS37, VS39	
38	94540-04010	E-RING, 4MM	1	1	-	-	VKX4, VPE2, VPE4, VPE5, VPX4, VPX5, VPX9, VS37, VS39	
39	94540-07010	E-RING, 7MM	1	1	-	-	VKX4, VPE2, VPE4, VPE5, VPX4, VPX5, VPX9, VS37, VS39	
40	95002-02070	CLIP, TUBE (B7)	4	4	-	-	VKX4, VPE2, VPE4, VPE5, VPX4, VPX5, VPX9, VS37, VS39	
41	95005-35055-10	TUBE, 3.5X55(95005-35001-10M)	1	1	-	-	VKX4, VPE2, VPE4, VPE5, VPX4, VPX5, VPX9, VS37, VS39	
42	95005-35075-10	TUBE, 3.5X75(95005-35001-10M)	1	1	-	-	VKX4, VPE2, VPE4, VPE5, VPX4, VPX5, VPX9, VS37, VS39	
43	99101-ZH8-0880	JET, MAIN, #88	(1)	(1)	-	-	VKX4, VPE2, VPE4, VPE5, VPX4, VPX5, VPX9, VS37, VS39	
	99101-ZH8-0900	JET, MAIN, #90	(1)	(1)	-	-	VKX4, VPE2, VPE4, VPE5, VPX4, VPX5, VPX9, VS37, VS39	
	99101-ZH8-0920	JET, MAIN, #92	1	1	-	-	VKX4, VPE2, VPE4, VPE5, VPX4, VPX5, VPX9, VS37, VS39	
44	99204-ZE2-0400	JET SET, PILOT, #40	1	1	-	-	VKX4, VPE2, VPE4, VPE5, VPX4, VPX5, VPX9, VS37, VS39	



E-14-2

CARBURETOR(3)

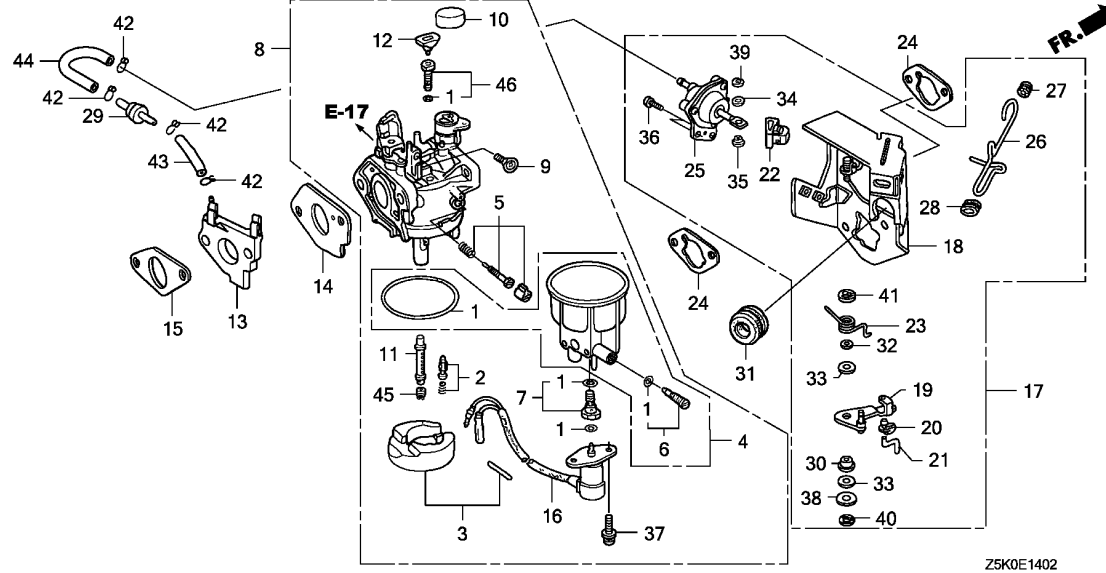
G11



Z5K0E1402

Ref. No.	L.O.N.	(Relative ref. Number) Description	F.R.T.
1	3111G1	GASKET SET, CARBURETOR(A) (3)	0.4
2	3111G6	VALVE SET, FLOAT AND/OR FLOAT SET(A)	0.4
5	3111D7	SCREW SET, PILOT	0.2
8	3111G7	CARBURETOR(A) (15)	0.3
13	3111G2	INSULATOR, CARBURETOR AND/OR PACKING, INSULATOR(A)	0.3
14	3111G5	PACKING, CARBURETOR(A)	0.3
16	6211C0	VALVE, CARBURETOR SOLENOID	0.2
17	8101R1	STAY, MANUAL CHOKE	0.2
19	8101Z6	LEVER, CARBURETOR CHOKE(A)	0.3
24	3121D9	PACKING, AIR CLEANER	0.2
25	3111A7	DIAPHRAGM, CARBURETOR	0.3
29	311175	VALVE, DASHPOT CHECK (11)	0.1
45	3111G4	JET, MAIN(A)	0.4

Ref. No.	Part No.	Description	Reqd. QTY				Serial No.	Parts catalogue code
			GX 270	GX RT	GX 270	GX RT2		
1	16010-ZE3-701	GASKET SET	-	1	-	-	VKE4	
2	16011-ZA0-931	VALVE SET, FLOAT	-	1	-	-	VKE4	
3	16013-Z1C-003	FLOAT SET	-	1	-	-	VKE4	
4	16015-ZA0-931	CHAMBER SET, FLOAT	-	1	-	-	VKE4	
5	16016-ZH8-W01	SCREW SET	-	1	-	-	VKE4	
6	16024-124-760	SCREW SET, DRAIN	-	1	-	-	VKE4	
7	16028-ZA0-931	SCREW SET	-	1	-	-	VKE4	
8	16100-Z5K-V11	CARBURETOR ASSY. (BE77W A)	-	1	-	-	VKE4	
9	16124-ZE0-005	SCREW, THROTTLE STOP	-	1	-	-	VKE4	
10	16148-141-881	CAP, CHOKE DUST	-	1	-	-	VKE4	
11	16166-ZH9-820	NOZZLE, MAIN	-	1	-	-	VKE4	
12	16172-ZE3-W10	COLLAR, SETTING	-	1	-	-	VKE4	
13	16211-ZE2-700	INSULATOR, CARBURETOR	-	1	-	-	VKE4	
14	16221-ZA0-800	PACKING, CARBURETOR	-	1	-	-	VKE4	
15	16223-ZA0-800	PACKING, INSULATOR	-	1	-	-	VKE4	
16	16230-ZE3-702	VALVE ASSY., SOLENOID	-	1	-	-	VKE4	
17	16260-ZE2-723	STAY ASSY., MANUAL CHOKE	-	1	-	-	VKE4	
18	16261-ZE2-702	STAY COMP., SOLENOID	-	1	-	-	VKE4	
19	16262-ZE2-711	LEVER, CHOKE	-	1	-	-	VKE4	
20	16263-ZA0-000	JOINT, ROD	-	1	-	-	VKE4	
21	16264-ZE2-701	ROD, CHOKE	-	1	-	-	VKE4	
22	16265-ZE2-721	STOPPER, CHOKE ROD	-	1	-	-	VKE4	
23	16268-ZE2-721	SPRING, MANUAL CHOKE	-	1	-	-	VKE4	
24	16269-ZA0-800	PACKING, AIR CLEANER	-	2	-	-	VKE4	
25	16400-ZE2-704	DIAPHRAGM ASSY.	-	1	-	-	VKE4	



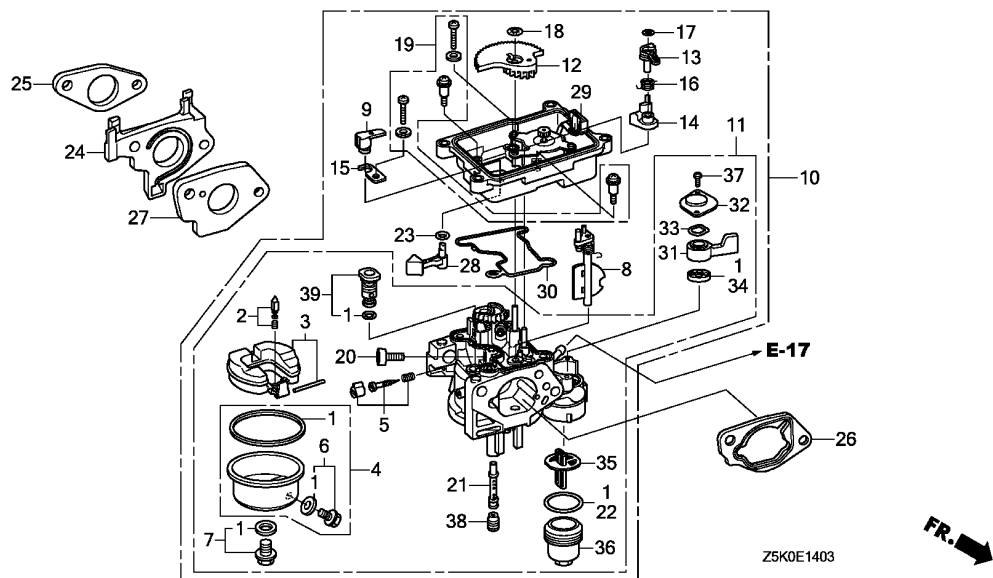
Ref. No.	Part No.	Description	Reqd. QTY				Serial No.	Parts catalogue code
			GX 270	GX 270	GX 270	GX 270		
26	16611-ZE2-711	ROD, CHOKE CONTROL	-	1	-	-	VKE4	
27	16613-893-000	GROMMET, CHOKE ROD	-	1	-	-	VKE4	
28	16615-893-000	GUIDE, CHOKE ROD	-	1	-	-	VKE4	
29	36135-ZF6-D41	VALVE, DASHPOT CHECK	-	1	-	-	VKE4	
30	53149-964-003	BUSH, ARM PIVOT	-	1	-	-	VKE4	
31	88911-MJ3-000	GROMMET, FENDER	-	1	-	-	VKE4	
32	90431-ZE2-700	WASHER, CHOKE LEVER	-	1	-	-	VKE4	
33	90432-ZE2-700	SEAL, CHOKE LEVER	-	2	-	-	VKE4	
34	90433-ZE2-700	WASHER, THRUST, 2.7X8	-	1	-	-	VKE4	
35	90434-ZE2-700	COLLAR, LEVER	-	1	-	-	VKE4	
36	93500-05012-0A	SCREW, PAN, 5X12	-	2	-	-	VKE4	
37	93892-05012-18	SCREW-WASHER, 5X12	-	2	-	-	VKE4	
38	94103-05000	WASHER, PLAIN, 5MM	-	1	-	-	VKE4	
39	94540-02010	E-RING, 2MM	-	1	-	-	VKE4	
40	94540-04010	E-RING, 4MM	-	1	-	-	VKE4	
41	94540-07010	E-RING, 7MM	-	1	-	-	VKE4	
42	95002-02070	CLIP, TUBE (B7)	-	4	-	-	VKE4	
43	95005-35055-10	TUBE, 3.5X55(95005-35001-10M)	-	1	-	-	VKE4	
44	95005-35075-10	TUBE, 3.5X75(95005-35001-10M)	-	1	-	-	VKE4	
45	99101-ZH8-0880	JET, MAIN, #88	-	(1)	-	-	VKE4	
	99101-ZH8-0900	JET, MAIN, #90	-	(1)	-	-	VKE4	
	99101-ZH8-0920	JET, MAIN, #92	-	1	-	-	VKE4	
46	99204-ZE2-0400	JET SET, PILOT, #40	-	1	-	-	VKE4	



E-14-3

CARBURETOR(4)

G13



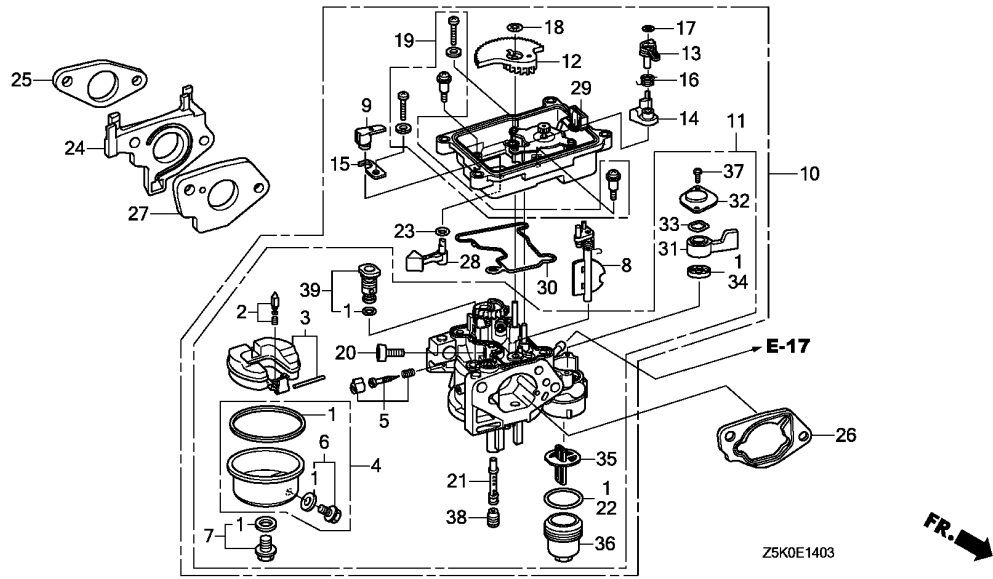
Ref. No.	L.O.N.	(Relative ref. Number) Description	F.R.T.
1	3111W7	GASKET SET, CARBURETOR(B) (3)	0.5
2	3111G6	VALVE SET, FLOAT AND/OR FLOAT SET(A)	0.4
4	3111A3	CHAMBER SET, FLOAT AND/OR GASKET, FLOAT CHAMBER	0.3
5	3111D7	SCREW SET, PILOT	0.2
8	8101C5	CHOKE SET, CARBURETOR (15)	0.4
9	3111N6	ARM, CARBURETOR MANUAL START	0.4
10	3111G7	CARBURETOR(A)	0.3
12	3111N1	GEAR, CARBURETOR MIDDLE (13,16)	0.3
14	8101Z6	LEVER, CARBURETOR CHOKE(A) (36)	0.4
22	3101L6	PACKING, FUEL STRAINER CUP (25)	0.2
24	3111G2	INSULATOR, CARBURETOR AND/OR PACKING, INSULATOR(A)	0.3
26	3111D9	SPACER, CARBURETOR	0.2
27	3111G5	PACKING, CARBURETOR(A) (23)	0.3
28	3111N8	LEVER, CARBURETOR MANUAL START	0.4
29	3111M9	CASE, THROTTLE CONTROL MOTOR	0.4

Ref. No.	Part No.	Description	Reqd. QTY				Serial No.	Parts catalogue code
			GX 270	GX 270	GX 270	GX 270		
1	16010-ZE2-812	GASKET SET	-	-	1	-	QZA2,QZX4,VZX7	
2	16011-ZA0-931	VALVE SET, FLOAT	-	-	1	-	QZA2,QZX4,VZX7	
3	16013-Z1C-003	FLOAT SET	-	-	1	-	QZA2,QZX4,VZX7	
4	16015-Z5T-901	CHAMBER SET, FLOAT	-	-	1	-	QZA2,QZX4,VZX7	
5	16016-ZH7-W01	SCREW SET, PILOT	-	-	1	-	QZA2,QZX4,VZX7	
6	16024-Z5T-901	SCREW SET, DRAIN	-	-	1	-	QZA2,QZX4,VZX7	
7	16028-Z5T-901	SCREW SET	-	-	1	-	QZA2,QZX4,VZX7	
8	16044-Z8T-W01	CHOKE SET	-	-	1	-	QZA2,QZX4,VZX7	
9	16045-Z5T-W01	ARM, MANUAL START	-	-	1	-	QZA2,QZX4,VZX7	
10	16100-Z5K-W01	CARBURETOR ASSY. (BE90A A)	-	-	1	-	QZA2,QZX4,VZX7	
11	16110-Z5K-W01	CARBURETOR SET	-	-	1	-	QZA2,QZX4,VZX7	
12	16111-Z5T-W01	GEAR, MIDDLE	-	-	1	-	QZA2,QZX4,VZX7	
13	16112-Z5T-W01	ARM, CHOKE	-	-	1	-	QZA2,QZX4,VZX7	
14	16113-Z5T-W01	LEVER, CHOKE CONTROL	-	-	1	-	QZA2,QZX4,VZX7	
15	16115-Z5T-W01	PLATE	-	-	1	-	QZA2,QZX4,VZX7	
16	16116-Z5T-W01	SPRING, TORSION COIL	-	-	1	-	QZA2,QZX4,VZX7	
17	16117-Z5T-W01	CLIP, SPECIAL	-	-	1	-	QZA2,QZX4,VZX7	
18	16118-Z5T-W01	CLIP, SPECIAL	-	-	1	-	QZA2,QZX4,VZX7	
19	16119-Z5T-W01	SCREW SET	-	-	1	-	QZA2,QZX4,VZX7	
20	16124-Z5T-W01	SCREW, STOP	-	-	1	-	QZA2,QZX4,VZX7	
21	16166-Z8T-W01	NOZZLE, MAIN	-	-	1	-	QZA2,QZX4,VZX7	
22	16173-001-004	PACKING, FUEL STRAINER CUP	-	-	1	-	QZA2,QZX4,VZX7	
23	16178-ZJ0-911	O-RING	-	-	1	-	QZA2,QZX4,VZX7	
24	16211-Z5K-W00	INSULATOR, CARBURETOR	-	-	1	-	QZA2,QZX4,VZX7	
25	16212-Z5K-000	PACKING, INSULATOR	-	-	1	-	QZA2,QZX4,VZX7	

E-14-3

CARBURETOR(4)

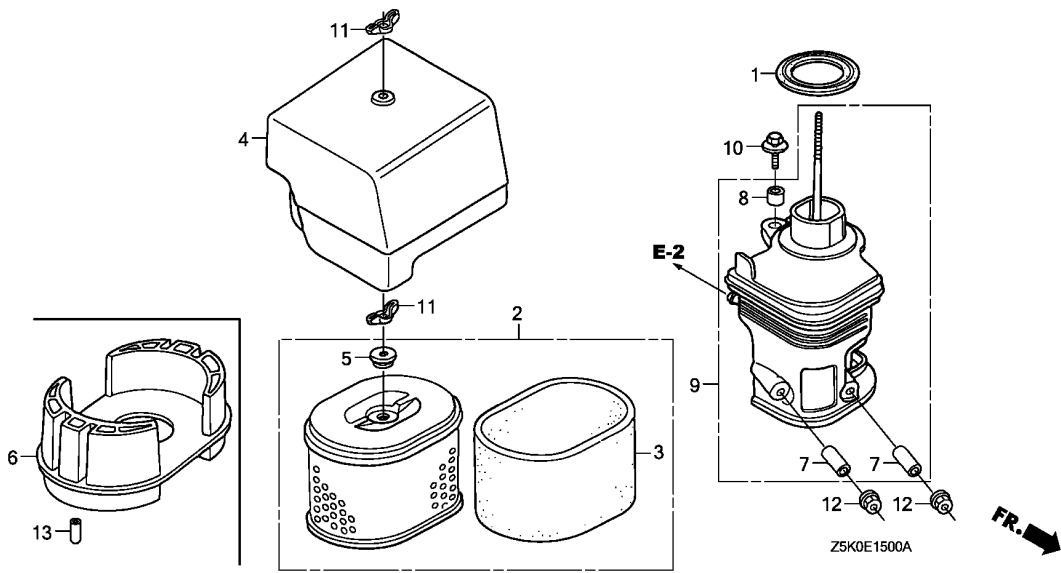
G14



Ref. No.	L.O.N.	(Relative ref. Number) Description	F.R.T.
30	3111N0	PACKING, THROTTLE CONTROL MOTOR CASE (31,32,33)	0.4
34	3101N0	PACKING, FUEL COCK(A)	0.4
35	3111P0	FILTER, CARBURETOR CUP (21)	0.2
38	3111G4	JET, MAIN(A)	0.4

Ref. No.	Part No.	Description	Reqd. QTY				Serial No.	Parts catalogue code
			GX 270 UT	GX 270 RT	GX 270 UT2	GX 270 RT2		
26	16220-ZA0-702	SPACER COMP., CARBURETOR	-	-	1	-	QZA2,QZX4,VZX7	
27	16221-Z5K-000	PACKING, CARBURETOR	-	-	1	-	QZA2,QZX4,VZX7	
28	16612-Z5T-W01	LEVER, MANUAL START	-	-	1	-	QZA2,QZX4,VZX7	
29	16646-Z5T-W01	CASE COMP., MOTOR	-	-	1	-	QZA2,QZX4,VZX7	
30	16648-Z5T-W01	U-RING	-	-	1	-	QZA2,QZX4,VZX7	
31	16953-ZE1-812	LEVER, COCK	-	-	1	-	QZA2,QZX4,VZX7	
32	16954-ZE1-812	PLATE, LEVER SETTING	-	-	1	-	QZA2,QZX4,VZX7	
33	16956-ZE1-811	SPRING, COCK LEVER	-	-	1	-	QZA2,QZX4,VZX7	
34	16957-ZE1-812	PACKING, FUEL COCK	-	-	1	-	QZA2,QZX4,VZX7	
35	16959-Z5T-901	FILTER, CUP	-	-	1	-	QZA2,QZX4,VZX7	
36	16967-ZE0-811	CUP, FUEL STRAINER	-	-	1	-	QZA2,QZX4,VZX7	
37	93500-03006-1H	SCREW, PAN, 3X6	-	-	2	-	QZA2,QZX4,VZX7	
38	99101-ZH8-0880	JET, MAIN, #88	-	-	1	-	QZA2,QZX4,VZX7	
39	99204-ZE0-0380	JET SET, PILOT, #38	-	-	1	-	QZA2,QZX4,VZX7	

2



Ref. No.	L.O.N.	(Relative ref. Number) Description	F.R.T.
1	3121E1	PACKING, ELBOW	0.1
2	3121B8	ELEMENT, AIR CLEANER	0.1
.INCLUDES: Air cleaner element -inspection			
3	3121C1	FILTER, OUTER	0.1
.INCLUDES: Outer filter-inspection			
6	3121D6	NOSE, SILENCER	0.1
9	3121B4	ELBOW, AIR CLEANER	0.1

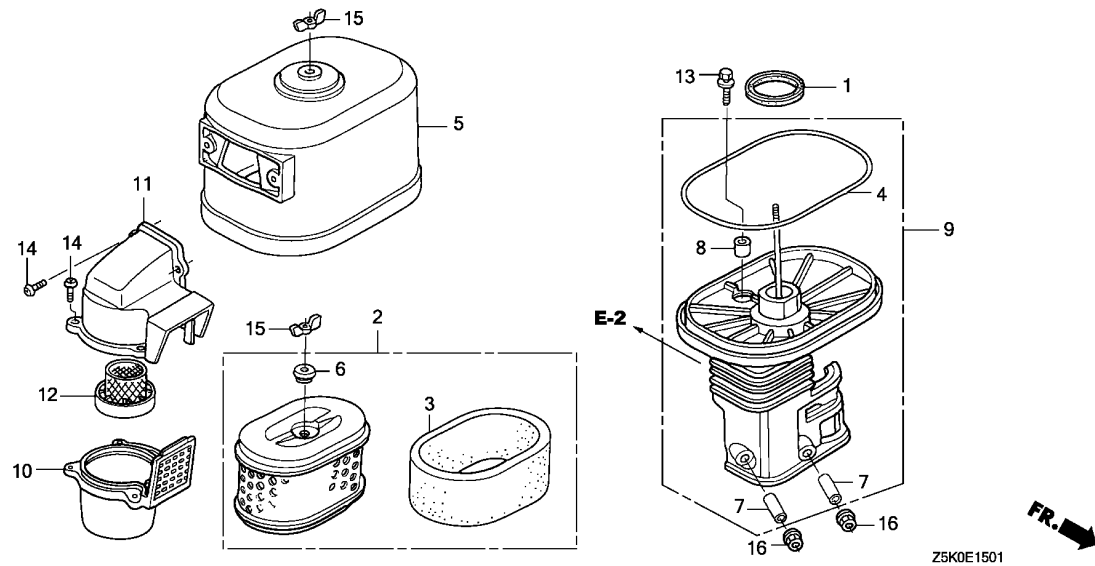
Ref. No.	Part No.	Description	Reqd. QTY				Serial No.	Parts catalogue code
			GX 270 UT	GX 270 RT	GX 270 UT2	GX 270 RT2		
1	16271-ZE2-010	PACKING, ELBOW	1	1	1	-	HEA8, HXQ4, HX8, LXE8, LXQ4, PXED, PXE8, PXU, PX26, QAE6, QKE4, QSE8, QXB6, QXU, RHE2, RHG4, VWA2	
			1	1	-	-	HA2, HEA2, HX26, LXU, PAE2, PA2, QAE2, QAG2, QAQ4, QAR2, QAW, QA2, QA26, QA4, QE, QHB4, QHQ4, QH26, QME2, QXE4, QXE8, QXQ4, QXUZ, RA2, RHE4, RHQ4, RH26, RSC2, RXQ4, RXU, SHQ4, SMC2, SMC4, SME1, SME6, SWA2, SWA4, SWC4, SWS4, SXE4, SXE8, SXQ4, SXU, VAG2, VA2, VDE2, VKB2, VKQ4, VNT2, VWN2, VW12, VXE6, VXQ4, VXU1, VX2	
2	17210-ZE2-822	ELEMENT, AIR CLEANER (DUAL)	1	1	1	-	HEA8, HXQ4, HX8, LXE8, LXQ4, PXED, PXE8, PXU, PX26, QAE6, QKE4, QSE8, QXB6, QXU, RHE2, RHG4, VWA2	
			1	1	-	-	HA2, HEA2, HX26, LXU, PAE2, PA2, QAE2, QAG2, QAQ4, QAR2, QAW, QA2, QA26, QA4, QE, QHB4, QHQ4, QH26, QME2, QXE4, QXE8, QXQ4, QXUZ, RA2, RHE4, RHQ4, RH26, RSC2, RXQ4, RXU, SHQ4, SMC2, SMC4, SME1, SME6, SWA2, SWA4, SWC4, SWS4, SXE4, SXE8, SXQ4, SXU, VAG2, VA2, VDE2, VKB2, VKQ4, VNT2, VWN2, VW12, VXE6, VXQ4, VXU1, VX2	
3	17218-ZE2-821	FILTER, OUTER	1	1	1	-	HEA8, HXQ4, HX8, LXE8, LXQ4, PXED, PXE8, PXU, PX26, QAE6, QKE4, QSE8, QXB6, QXU, RHE2, RHG4, VWA2	
			1	1	-	-	HA2, HEA2, HX26, LXU, PAE2, PA2, QAE2, QAG2, QAQ4, QAR2, QAW, QA2, QA26, QA4, QE, QHB4, QHQ4, QH26, QME2, QXE4, QXE8, QXQ4, QXUZ, RA2, RHE4, RHQ4, RH26, RSC2, RXQ4, RXU, SHQ4, SMC2, SMC4, SME1, SME6, SWA2, SWA4, SWC4, SWS4, SXE4, SXE8, SXQ4, SXU, VAG2, VA2, VDE2, VKB2, VKQ4, VNT2, VWN2, VW12, VXE6, VXQ4, VXU1, VX2	
4	17231-ZH9-820	COVER, AIR CLEANER	1	1	-	-	HA2, HEA2, HEA8, HXQ4, HX26, HX8, LXE8, LXQ4, LXU, PAE2, PA2, PXED, PXE8, PXU, PX26, QAE2, QAE6, QAG2, QAQ4, QAR2, QAW, QA2, QA26, QA4, QE, QHB4, QHQ4, QH26, QME2, QSE8, QXB6, QXE4, QXE8, QXQ4, QXU, QXUZ, RA2, RHE2, RHE4, RHG4, RHQ4, RH26, RSC2, RXQ4, RXU, SHQ4, SMC2, SMC4, SME1, SME6, SWA2, SWA4, SWC4, SWS4, SXE4, SXE8, SXQ4, SXU, VAG2, VA2, VDE2, VKB2, VKQ4, VNT2, VWA2, VWN2, VW12, VXE6, VXQ4, VXU1, VX2	

Ref. No.	Part No.	Description	Reqd. QTY				Serial No.	Parts catalogue code
			GX 270 UT	GX 270 RT	GX 270 UT2	GX 270 RT2		
5	17232-891-000	GROMMET, AIR CLEANER	1	1	1	-	HEA8, HXQ4, HX8, LXE8, LXQ4, PXED, PXE8, PXU, PX26, QAE6, QKE4, QSE8, QXB6, QXU, RHE2, RHG4, VWA2	
			1	1	-	-	HA2, HEA2, HX26, LXU, PAE2, PA2, QAE2, QAG2, QAQ4, QAR2, QAW, QA2, QA26, QA4, QE, QHB4, QHQ4, QH26, QME2, QXE4, QXE8, QXQ4, QXUZ, RA2, RHE4, RHQ4, RH26, RSC2, RXQ4, RXU, SHQ4, SMC2, SMC4, SME1, SME6, SWA2, SWA4, SWC4, SWS4, SXE4, SXE8, SXQ4, SXU, VAG2, VA2, VDE2, VKB2, VKQ4, VNT2, VWN2, VW12, VXE6, VXQ4, VXU1, VX2	
6	17235-ZE2-820	NOSE, SILENCER	1	-	-	-	HXQ4, HX26, HX8, LXE8, LXQ4, LXU, PXED, PXE8, PXU, PX26, QE, QME2, QSE8, QXB6, QXE4, QXE8, QXQ4, QXU, QXUZ, RXQ4, RXU, SME1, SWA2, SWA4, SXE4, SXE8, SXQ4, SXU, VXE6, VXQ4, VXU1, VX2	
	17235-Z5H-000	-	1	-	-	RSC2, VAG2, VDE2, VKB2, VNT2, VWA2, VWN2, VW12	
7	17238-ZE2-310	COLLAR, AIR CLEANER	2	2	2	-	HEA8, HXQ4, HX8, LXE8, LXQ4, PXED, PXE8, PXU, PX26, QAE6, QKE4, QSE8, QXB6, QXU, RHE2, RHG4, VWA2	
			2	2	-	-	HA2, HEA2, HX26, LXU, PAE2, PA2, QAE2, QAG2, QAQ4, QAR2, QAW, QA2, QA26, QA4, QE, QHB4, QHQ4, QH26, QME2, QXE4, QXE8, QXQ4, QXUZ, RA2, RHE4, RHQ4, RH26, RSC2, RXQ4, RXU, SHQ4, SMC2, SMC4, SME1, SME6, SWA2, SWA4, SWC4, SWS4, SXE4, SXE8, SXQ4, SXU, VAG2, VA2, VDE2, VKB2, VKQ4, VNT2, VWN2, VW12, VXE6, VXQ4, VXU1, VX2	
8	17239-ZE1-000	COLLAR B, AIR CLEANER	1	1	1	-	HEA8, HXQ4, HX8, LXE8, LXQ4, PXED, PXE8, PXU, PX26, QAE6, QKE4, QSE8, QXB6, QXU, RHE2, RHG4, VWA2	
			1	1	-	-	HA2, HEA2, HX26, LXU, PAE2, PA2, QAE2, QAG2, QAQ4, QAR2, QAW, QA2, QA26, QA4, QE, QHB4, QHQ4, QH26, QME2, QXE4, QXE8, QXQ4, QXUZ, RA2, RHE4, RHQ4, RH26, RSC2, RXQ4, RXU, SHQ4, SMC2, SMC4, SME1, SME6, SWA2, SWA4, SWC4, SWS4, SXE4, SXE8, SXQ4, SXU, VAG2, VA2, VDE2, VKB2, VKQ4, VNT2, VWN2, VW12, VXE6, VXQ4, VXU1, VX2	
9	17410-ZE2-020	ELBOW COMP., AIR CLEANER	1	1	1	-	HEA8, HXQ4, HX8, LXE8, LXQ4, PXED, PXE8, PXU, PX26, QAE6, QKE4, QSE8, QXB6, QXU, RHE2, RHG4, VWA2	
			1	1	-	-	HA2, HEA2, HX26, LXU, PAE2, PA2, QAE2, QAG2, QAQ4, QAR2, QAW, QA2, QA26, QA4, QE, QHB4, QHQ4, QH26, QME2, QXE4, QXE8, QXQ4, QXUZ, RA2, RHE4, RHQ4, RH26, RSC2, RXQ4, RXU, SHQ4, SMC2, SMC4, SME1, SME6, SWA2, SWA4, SWC4, SWS4, SXE4, SXE8, SXQ4, SXU, VAG2, VA2, VDE2, VKB2, VKQ4, VNT2, VWN2, VW12, VXE6, VXQ4, VXU1, VX2	
10	90009-Z1C-000	BOLT-WASHER, 6X22	1	1	1	-	HEA8, HXQ4, HX8, LXE8, LXQ4, PXED, PXE8, PXU, PX26, QAE6, QKE4, QSE8, QXB6, QXU, RHE2, RHG4, VWA2	
			1	1	-	-	HA2, HEA2, HX26, LXU, PAE2, PA2, QAE2, QAG2, QAQ4, QAR2, QAW, QA2, QA26, QA4, QE, QHB4, QHQ4, QH26, QME2, QXE4, QXE8, QXQ4, QXUZ, RA2, RHE4, RHQ4, RH26, RSC2, RXQ4, RXU, SHQ4, SMC2, SMC4, SME1, SME6, SWA2, SWA4, SWC4, SWS4, SXE4, SXE8, SXQ4, SXU, VAG2, VA2, VDE2, VKB2, VKQ4, VNT2, VWN2, VW12, VXE6, VXQ4, VXU1, VX2	
11	90325-044-000	NUT, TOOL BOX SETTING	1	-	1	-	QKE4	
			2	2	-	-	HA2, HEA2, HEA8, HXQ4, HX26, HX8, LXE8, LXQ4, LXU, PAE2, PA2, PXED, PXE8, PXU, PX26, QAE2, QAE6, QAG2, QAQ4, QAR2, QAW, QA2, QA26, QA4, QE, QHB4, QHQ4, QH26, QME2, QSE8, QXB6, QXE4, QXE8, QXQ4, QXU, QXUZ, RA2, RHE2, RHE4, RHG4, RHQ4, RH26, RSC2, RXQ4, RXU, SHQ4, SMC2, SMC4, SME1, SME6, SWA2, SWA4, SWC4, SWS4, SXE4, SXE8, SXQ4, SXU, VAG2, VA2, VDE2, VKB2, VKQ4, VNT2, VWN2, VW12, VXE6, VXQ4, VXU1, VX2	
12	94050-06000	NUT, FLANGE, 6MM	2	2	2	-	HEA8, HXQ4, HX8, LXE8, LXQ4, PXED, PXE8, PXU, PX26, QAE6, QKE4, QSE8, QXB6, QXU, RHE2, RHG4, VWA2	
			2	2	-	-	HA2, HEA2, HX26, LXU, PAE2, PA2, QAE2, QAG2, QAQ4, QAR2, QAW, QA2, QA26, QA4, QE, QHB4, QHQ4, QH26, QME2, QXE4, QXE8, QXQ4, QXUZ, RA2, RHE4, RHQ4, RH26, RSC2, RXQ4, RXU, SHQ4, SMC2, SMC4, SME1, SME6, SWA2, SWA4, SWC4, SWS4, SXE4, SXE8, SXQ4, SXU, VAG2, VA2, VDE2, VKB2, VKQ4, VNT2, VWN2, VW12, VXE6, VXQ4, VXU1, VX2	
13	90634-ZL8-H00	CAP, SEALING	-	1	-	-	RSC2, VAG2, VDE2, VKB2, VNT2, VWA2, VWN2, VW12	



E-15-1

AIR CLEANER(2)



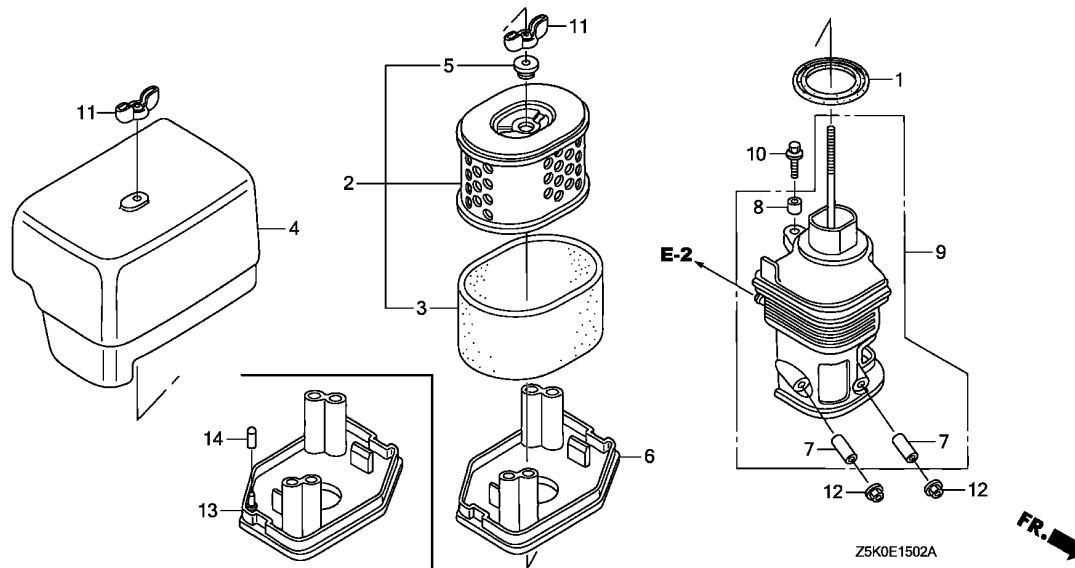
Ref. No.	L.O.N.	(Relative ref. Number) Description	F.R.T.
1	3121E1	PACKING, ELBOW	0.1
2	3121B8	ELEMENT, AIR CLEANER	0.1
		.INCLUDES: Air cleaner element -inspection	
3	3121C1	FILTER, OUTER	0.1
		.INCLUDES: Outer filter-inspection	
4	3121E0	PACKING, AIR CLEANER COVER ...	0.1
9	3121B4	ELBOW, AIR CLEANER	0.1
10	3121A6	CASE, PRE AIR CLEANER	0.1
11	3121A4	CAP, PRE AIR CLEANER	0.1
12	3121C8	GUIDE, PRE AIR CLEANER	0.1

Ref. No.	Part No.	Description	Reqd. QTY				Serial No.	Parts catalogue code
			GX 270	GX 270	GX 270	GX 270		
1	16271-ZE2-010	PACKING, ELBOW	1	-	-	-	QSC9,QWA4,QWH2,QXCU,QXC2,QXC4,QXC6,QXC9,VMA4,VME4	
2	17210-ZE3-010	ELEMENT, AIR CLEANER	1	-	-	-	QSC9,QWA4,QWH2,QXCU,QXC2,QXC4,QXC6,QXC9,VMA4,VME4	
3	17218-ZE3-000	FILTER, OUTER	1	-	-	-	QSC9,QWA4,QWH2,QXCU,QXC2,QXC4,QXC6,QXC9,VMA4,VME4	
4	17219-ZE3-840	PACKING, AIR CLEANER COVER ..	1	-	-	-	QSC9,QWA4,QWH2,QXCU,QXC2,QXC4,QXC6,QXC9,VMA4,VME4	
5	17230-ZE3-841	COVER COMP., AIR CLEANER (CYCLONE)	1	-	-	-	QSC9,QWA4,QWH2,QXCU,QXC2,QXC4,QXC6,QXC9,VMA4,VME4	
6	17232-891-000	GROMMET, AIR CLEANER	1	-	-	-	QSC9,QWA4,QWH2,QXCU,QXC2,QXC4,QXC6,QXC9,VMA4,VME4	
7	17238-ZE2-310	COLLAR, AIR CLEANER	2	-	-	-	QSC9,QWA4,QWH2,QXCU,QXC2,QXC4,QXC6,QXC9,VMA4,VME4	
8	17239-ZE3-840	COLLAR B, AIR CLEANER	1	-	-	-	QSC9,QWA4,QWH2,QXCU,QXC2,QXC4,QXC6,QXC9,VMA4,VME4	
9	17410-ZE3-840	ELBOW COMP., AIR CLEANER	1	-	-	-	QSC9,QWA4,QWH2,QXCU,QXC2,QXC4,QXC6,QXC9,VMA4,VME4	
10	17470-ZE3-842	CASE COMP., PRE AIR CLEANER ..	1	-	-	-	QSC9,QWA4,QWH2,QXCU,QXC2,QXC4,QXC6,QXC9,VMA4,VME4	
11	17475-ZE3-841	CAP, PRE AIR CLEANER	1	-	-	-	QSC9,QWA4,QWH2,QXCU,QXC2,QXC4,QXC6,QXC9,VMA4,VME4	
12	17476-ZE3-841	GUIDE, PRE AIR CLEANER	1	-	-	-	QSC9,QWA4,QWH2,QXCU,QXC2,QXC4,QXC6,QXC9,VMA4,VME4	
13	90009-Z1C-000	BOLT-WASHER, 6X22	1	-	-	-	QSC9,QWA4,QWH2,QXCU,QXC2,QXC4,QXC6,QXC9,VMA4,VME4	
14	90142-MB0-000	SCREW, PAN, 5X16.5	5	-	-	-	QSC9,QWA4,QWH2,QXCU,QXC2,QXC4,QXC6,QXC9,VMA4,VME4	
15	90325-044-000	NUT, TOOL BOX SETTING	2	-	-	-	QSC9,QWA4,QWH2,QXCU,QXC2,QXC4,QXC6,QXC9,VMA4,VME4	
16	94050-06000	NUT, FLANGE, 6MM	2	-	-	-	QSC9,QWA4,QWH2,QXCU,QXC2,QXC4,QXC6,QXC9,VMA4,VME4	

E-15-2

AIR CLEANER(3)

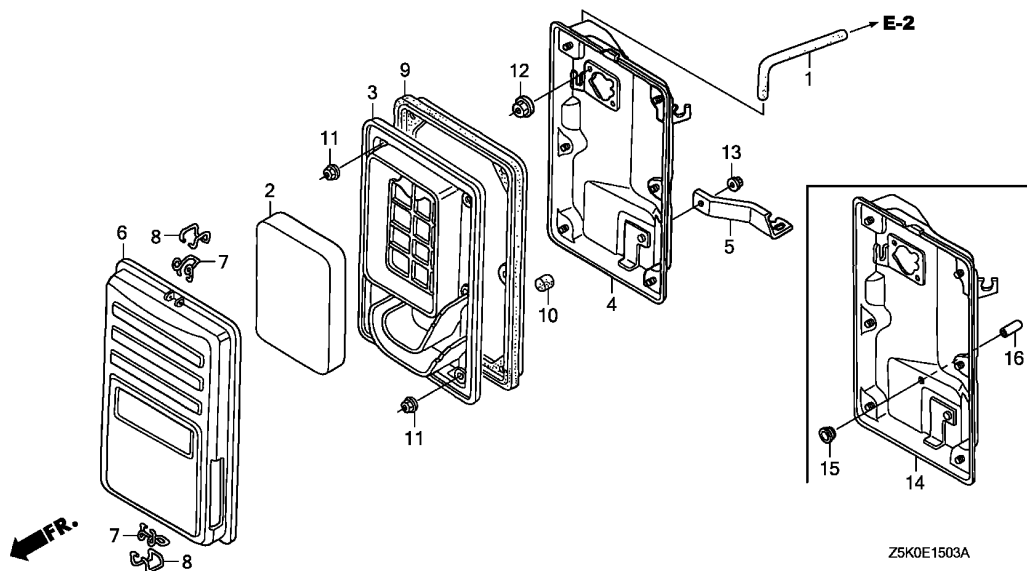
H 2



Ref. No.	L.O.N.	(Relative ref. Number) Description	F.R.T.
1	3121E1	PACKING, ELBOW	0.1
2	3121B8	ELEMENT, AIR CLEANER	0.1
.INCLUDES: Air cleaner element -inspection			
3	3121C1	FILTER, OUTER	0.1
.INCLUDES: Outer filter-inspection			
6	3121D6	NOSE, SILENCER	0.1
9	3121B4	ELBOW, AIR CLEANER	0.1

Ref. No.	Part No.	Description	Reqd. QTY				Serial No.	Parts catalogue code
			GX 270 UT	GX 270 RT	GX 270 UT2	GX 270 RT2		
1	16271-ZE2-010	PACKING, ELBOW	1	1	-	-	HKS8,QXB2,QXB7,QXB9,SXB7,SXB9,VN17,VSD7,VSD9,VSH7,VWT4,VXB7,VXB9,VXE7,VXE9	
2	17210-ZE3-010	ELEMENT, AIR CLEANER	1	1	-	-	HKS8,QXB2,QXB7,QXB9,SXB7,SXB9,VN17,VSD7,VSD9,VSH7,VWT4,VXB7,VXB9,VXE7,VXE9	
3	17218-ZE3-000	FILTER, OUTER	1	1	-	-	HKS8,QXB2,QXB7,QXB9,SXB7,SXB9,VN17,VSD7,VSD9,VSH7,VWT4,VXB7,VXB9,VXE7,VXE9	
4	17231-ZH9-N01	COVER, AIR CLEANER (100DB) ..	1	1	-	-	HKS8,QXB2,QXB7,QXB9,SXB7,SXB9,VN17,VSD7,VSD9,VSH7,VWT4,VXB7,VXB9,VXE7,VXE9	
5	17232-891-000	GROMMET, AIR CLEANER	1	1	-	-	HKS8,QXB2,QXB7,QXB9,SXB7,SXB9,VN17,VSD7,VSD9,VSH7,VWT4,VXB7,VXB9,VXE7,VXE9	
6	17235-ZH9-N01	NOSE, SILENCER	1	-	-	-	HKS8,QXB2,QXB7,QXB9,SXB7,SXB9,VN17,VSD7,VSD9,VSH7,VXB7,VXB9,VXE7,VXE9	
7	17238-ZE2-310	COLLAR, AIR CLEANER	2	2	-	-	HKS8,QXB2,QXB7,QXB9,SXB7,SXB9,VN17,VSD7,VSD9,VSH7,VWT4,VXB7,VXB9,VXE7,VXE9	
8	17239-ZE1-000	COLLAR B, AIR CLEANER	1	1	-	-	HKS8,QXB2,QXB7,QXB9,SXB7,SXB9,VN17,VSD7,VSD9,VSH7,VWT4,VXB7,VXB9,VXE7,VXE9	
9	17410-ZH9-N00	ELBOW COMP., AIR CLEANER	1	1	-	-	HKS8,QXB2,QXB7,QXB9,SXB7,SXB9,VN17,VSD7,VSD9,VSH7,VWT4,VXB7,VXB9,VXE7,VXE9	
10	90009-Z1C-000	BOLT-WASHER, 6X22	1	1	-	-	HKS8,QXB2,QXB7,QXB9,SXB7,SXB9,VN17,VSD7,VSD9,VSH7,VWT4,VXB7,VXB9,VXE7,VXE9	
11	90325-044-000	NUT, TOOL BOX SETTING	2	2	-	-	HKS8,QXB2,QXB7,QXB9,SXB7,SXB9,VN17,VSD7,VSD9,VSH7,VWT4,VXB7,VXB9,VXE7,VXE9	
12	94050-06000	NUT, FLANGE, 6MM	2	2	-	-	HKS8,QXB2,QXB7,QXB9,SXB7,SXB9,VN17,VSD7,VSD9,VSH7,VWT4,VXB7,VXB9,VXE7,VXE9	
13	17235-Z5H-800	NOSE, SILENCER	-	1	-	-	VN17,VSH7,VWT4	
14	90634-ZL8-H00	CAP, SEALING	-	1	-	-	VN17,VSH7,VWT4	

2

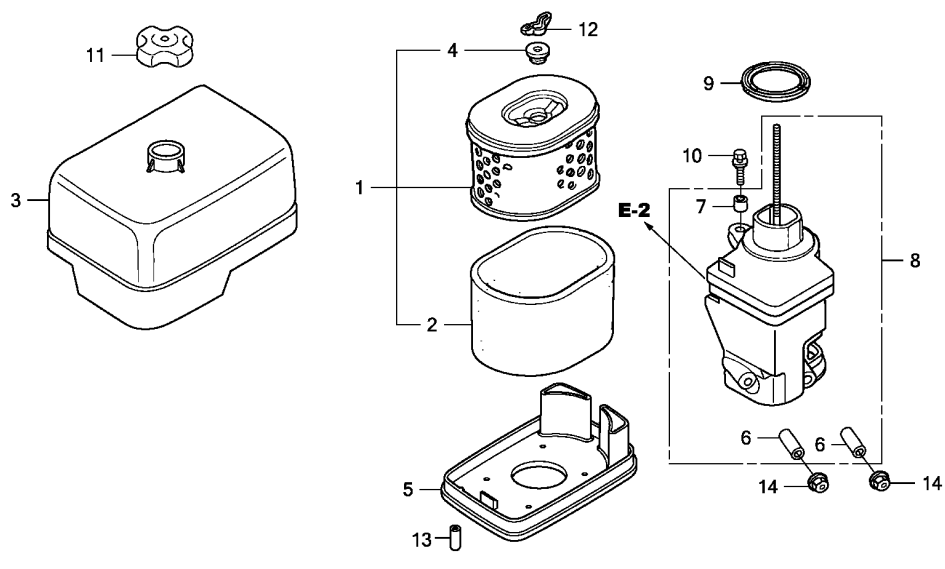


Ref. No.	L.O.N.	(Relative ref. Number) Description	F.R.T.
1	3121N4	TUBE, AIR CLEANER BREATHER ...	0.2
2	3121B8	ELEMENT, AIR CLEANERINCLUDES: Air cleaner element -inspection	0.1
3	3121F0	SEPARATOR, AIR CLEANER (14)	0.1
4	3121A5	CASE, AIR CLEANER	0.2
9	3121E8	SEAL, AIR CLEANER CASE	0.1

Ref. No.	Part No.	Description	Reqd. QTY				Serial No.	Parts catalogue code
			GX 270 UT	GX 270 RT	GX 270 UT2	GX 270 RT2		
1	15721-ZB4-000	TUBE, BREATHER	1	1	-	-	VKE4,VKX4,VPE2,VPE4,VPE5,VPX4,VPX5,VPX9,VS37,VS39	
2	17211-899-000	ELEMENT, AIR CLEANER	1	1	-	-	VKE4,VKX4,VPE2,VPE4,VPE5,VPX4,VPX5,VPX9,VS37,VS39	
3	17212-ZB4-003 17212-Z5R-000	SEPARATOR, AIR CLEANER	1	-	-	-	VKX4,VPX4,VPX5,VPX9,VS37,VS39	
4	17220-ZB4-003	CASE COMP., AIR CLEANER	1	-	-	-	VKE4,VKX4,VPE2,VPE4,VPE5,VPX4,VPX5,VPX9,VS37,VS39	
5	17222-ZB4-000	STAY, AIR CLEANER	1	1	-	-	VKX4,VPX4,VPX5,VPX9,VS37,VS39	
6	17231-899-000	COVER COMP., AIR CLEANER	1	1	-	-	VKE4,VKX4,VPE2,VPE4,VPE5,VPX4,VPX5,VPX9,VS37,VS39	
7	17235-899-000	CLIP A, AIR CLEANER WIRE	2	2	-	-	VKE4,VKX4,VPE2,VPE4,VPE5,VPX4,VPX5,VPX9,VS37,VS39	
8	17236-899-000	CLIP B, AIR CLEANER WIRE	2	2	-	-	VKE4,VKX4,VPE2,VPE4,VPE5,VPX4,VPX5,VPX9,VS37,VS39	
9	17252-899-000	SEAL, AIR CLEANER	1	1	-	-	VKE4,VKX4,VPE2,VPE4,VPE5,VPX4,VPX5,VPX9,VS37,VS39	
10	17367-413-690	FILTER, DRAIN TUBE	1	1	-	-	VKE4,VKX4,VPE2,VPE4,VPE5,VPX4,VPX5,VPX9,VS37,VS39	
11	94050-05000	NUT, FLANGE, 5MM	6	6	-	-	VKE4,VKX4,VPE2,VPE4,VPE5,VPX4,VPX5,VPX9,VS37,VS39	
12	94050-06000	NUT, FLANGE, 6MM	2	2	-	-	VKE4,VKX4,VPE2,VPE4,VPE5,VPX4,VPX5,VPX9,VS37,VS39	
13	94050-06080	NUT, FLANGE, 6MM	1	1	-	-	VKE4,VKX4,VPE2,VPE4,VPE5,VPX4,VPX5,VPX9,VS37,VS39	
14	17220-Z5R-000	CASE COMP., AIR CLEANER	-	1	-	-	VKE4,VKX4,VPE2,VPE4,VPE5,VPX4,VPX5,VPX9,VS37,VS39	
15	17232-898-000	GROMMET, AIR CLEANER	-	1	-	-	VKE4,VKX4,VPE2,VPE4,VPE5,VPX4,VPX5,VPX9,VS37,VS39	
16	90634-ZL8-H00	CAP, SEALING	-	1	-	-	VKE4,VKX4,VPE2,VPE4,VPE5,VPX4,VPX5,VPX9,VS37,VS39	

E-15-4

AIR CLEANER(5)



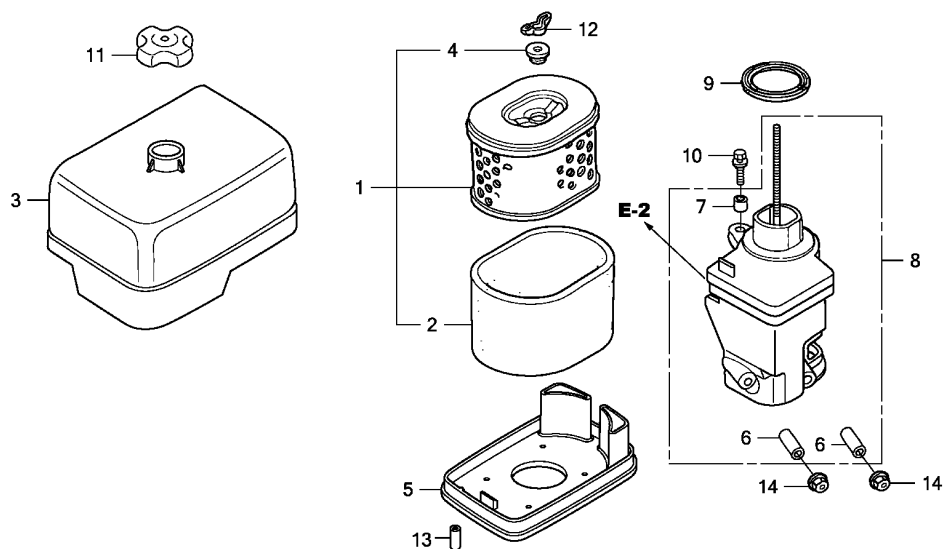
Ref. No.	L.O.N.	(Relative ref. Number) Description	F.R.T.
1	3121B8	ELEMENT, AIR CLEANERINCLUDES: Air cleaner element -inspection	0.1
2	3121C1	FILTER, OUTERINCLUDES: Outer filter-inspection	0.1
5	3121D6	NOSE, SILENCER	0.1
8	3121B4	ELBOW, AIR CLEANER	0.1
9	3121R3	PACKING, AIR CLEANER CASE	0.1

Ref. No.	Part No.	Description	Reqd. QTY				Serial No.	Parts catalogue code
			GX 270 UT	GX 270 RT	GX 270 UT2	GX 270 RT2		
1	17210-ZE2-822	ELEMENT, AIR CLEANER (DUAL) ..	-	-	1	-	HA2,HEA2,HKS8,HX26,LXU,PAE2,PA2,QAE2,QAG2,QAQ4,QAR2,QAW,QA2,QA26,QA4,QE,QHB4,QHQ4,QH26,QME2,QXB7,QXB9,QXE4,QXE8,QXQ4,QXUZ,RA2,RHE4,RHQ4,RH26,SHQ4,SMC4,SWA4,SWC4, SXB7, SXE4, SXQ4, SXU,VA2, VKQ4, VSD7, VXB7, VXE7, VXU1	
	17210-Z5K-W00	ELEMENT COMP., AIR CLEANER ..	-	-	1	-	QZA2, QZX4, VZX7	
2	17218-ZE2-821	FILTER, OUTER	-	-	1	-	HA2,HEA2,HKS8,HX26,LXU,PAE2,PA2,QAE2,QAG2,QAQ4,QAR2,QAW,QA2,QA26,QA4,QE,QHB4,QHQ4,QH26,QME2,QXB7,QXB9,QXE4,QXE8,QXQ4,QXUZ, QZA2, QZX4, RA2, RHE4, RHQ4, RH26, SHQ4, SMC4, SWA4, SWC4, SXB7, SXE4, SXQ4, SXU, VA2, VKQ4, VSD7, VXB7, VXE7, VXU1, VZX7	
3	17231-Z5K-000	COVER, AIR CLEANER CASE	-	-	1	-	HA2,HEA2,HKS8,HX26,LXU,PAE2,PA2,QAE2,QAG2,QAQ4,QAR2,QAW,QA2,QA26,QA4,QE,QHB4,QHQ4,QH26,QME2,QXB7,QXB9,QXE4,QXE8,QXQ4,QXUZ, QZA2, QZX4, RA2, RHE4, RHQ4, RH26, SHQ4, SMC4, SWA4, SWC4, SXB7, SXE4, SXQ4, SXU, VA2, VKQ4, VSD7, VXB7, VXE7, VXU1, VZX7	
4	17232-891-000	GROMMET, AIR CLEANER	-	-	1	-	HA2,HEA2,HKS8,HX26,LXU,PAE2,PA2,QAE2,QAG2,QAQ4,QAR2,QAW,QA2,QA26,QA4,QE,QHB4,QHQ4,QH26,QME2,QXB7,QXB9,QXE4,QXE8,QXQ4,QXUZ, QZA2, QZX4, RA2, RHE4, RHQ4, RH26, SHQ4, SMC4, SWA4, SWC4, SXB7, SXE4, SXQ4, SXU, VA2, VKQ4, VSD7, VXB7, VXE7, VXU1, VZX7	
5	17235-Z5K-000	NOSE, SILENCER	-	-	1	-	HA2,HEA2,HKS8,HX26,LXU,PAE2,PA2,QAE2,QAG2,QAQ4,QAR2,QAW,QA2,QA26,QA4,QE,QHB4,QHQ4,QH26,QME2,QXB7,QXB9,QXE4,QXE8,QXQ4,QXUZ, QZA2, QZX4, RA2, RHE4, RHQ4, RH26, SHQ4, SMC4, SWA4, SWC4, SXB7, SXE4, SXQ4, SXU, VA2, VKQ4, VSD7, VXB7, VXE7, VXU1, VZX7	
	17235-Z5K-800	-	-	1	-		



E-15-4

AIR CLEANER(5)



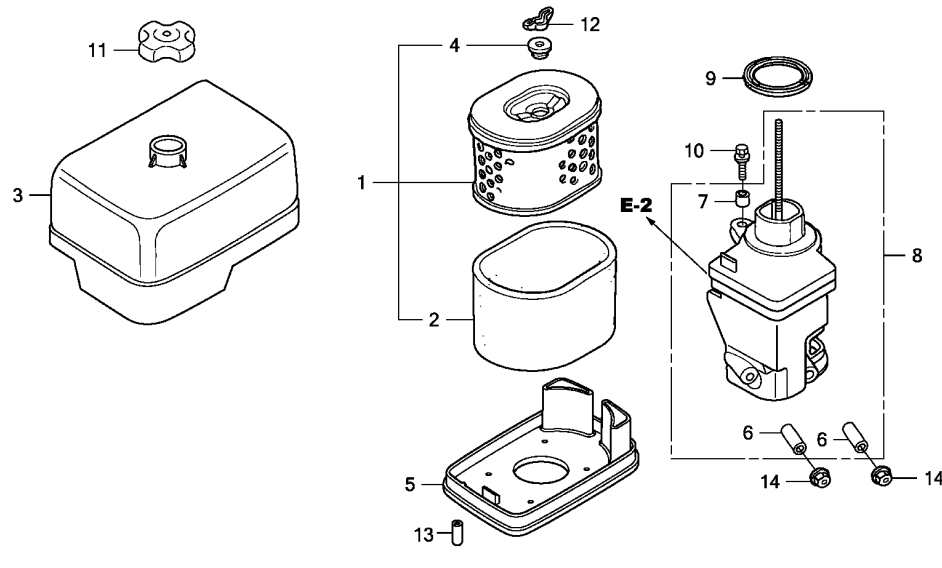
FR. ↘
Z5K0E1504

Ref. No.	Part No.	Description	Reqd. QTY				Serial No.	Parts catalogue code
			GX 270 UT	GX 270 RT	GX 270 UT2	GX 270 RT2		
6	17238-ZE2-310	COLLAR, AIR CLEANER	-	-	2	-	HA2,HEA2,HKS8,HX26,LXU,PAE2,PA2,QAE2,QAG2,QAQ4,QAR2,QAW,QA2,QA26,QA4,QE,QHB4,QHQ4,QH26,QME2,QXB7,QXB9,QXE4,QXE8,QXQ4,QXUZ,QZA2,QZX4,RA2,RHE4,RHQ4,RH26,SHQ4,SMC4,SWA4,SWC4,SBX7,SXE4,SXQ4,SXU,VA2,VKQ4,VSD7,VXB7,VXE7,VXU1,VZX7	
7	17239-ZE1-000	COLLAR B, AIR CLEANER	-	-	1	2	HA2,HEA2,HKS8,HX26,LXU,PAE2,PA2,QAE2,QAG2,QAQ4,QAR2,QAW,QA2,QA26,QA4,QE,QHB4,QHQ4,QH26,QME2,QXB7,QXB9,QXE4,QXE8,QXQ4,QXUZ,QZA2,QZX4,RA2,RHE4,RHQ4,RH26,SHQ4,SMC4,SWA4,SWC4,SBX7,SXE4,SXQ4,SXU,VA2,VKQ4,VSD7,VXB7,VXE7,VXU1,VZX7	
8	17410-Z5K-000	ELBOW COMP., AIR CLEANER	-	-	1	1	HA2,HEA2,HKS8,HX26,LXU,PAE2,PA2,QAE2,QAG2,QAQ4,QAR2,QAW,QA2,QA26,QA4,QE,QHB4,QHQ4,QH26,QME2,QXB7,QXB9,QXE4,QXE8,QXQ4,QXUZ,RA2,RHE4,RHQ4,RH26,SHQ4,SMC4,SWA4,SWC4,SBX7,SXE4,SXQ4,SXU,VA2,VKQ4,VSD7,VXB7,VXE7,VXU1	
	17410-Z5K-W00	-	-	1	1	QZA2,QZX4,VZX7	
9	17417-Z5T-000	PACKING, AIR CLEANER CASE	-	-	1	1	HA2,HEA2,HKS8,HX26,LXU,PAE2,PA2,QAE2,QAG2,QAQ4,QAR2,QAW,QA2,QA26,QA4,QE,QHB4,QHQ4,QH26,QME2,QXB7,QXB9,QXE4,QXE8,QXQ4,QXUZ,QZA2,QZX4,RA2,RHE4,RHQ4,RH26,SHQ4,SMC4,SWA4,SWC4,SBX7,SXE4,SXQ4,SXU,VA2,VKQ4,VSD7,VXB7,VXE7,VXU1,VZX7	
10	90009-Z1C-000	BOLT-WASHER, 6X22	-	-	1	1	HA2,HEA2,HKS8,HX26,LXU,PAE2,PA2,QAE2,QAG2,QAQ4,QAR2,QAW,QA2,QA26,QA4,QE,QHB4,QHQ4,QH26,QME2,QXB7,QXB9,QXE4,QXE8,QXQ4,QXUZ,RA2,RHE4,RHQ4,RH26,SHQ4,SMC4,SWA4,SWC4,SBX7,SXE4,SXQ4,SXU,VA2,VKQ4,VSD7,VXB7,VXE7,VXU1	
	90009-Z5T-W00	BOLT-WASHER, 6X18	-	-	1	1	QZA2,QZX4,VZX7	

E-15-4

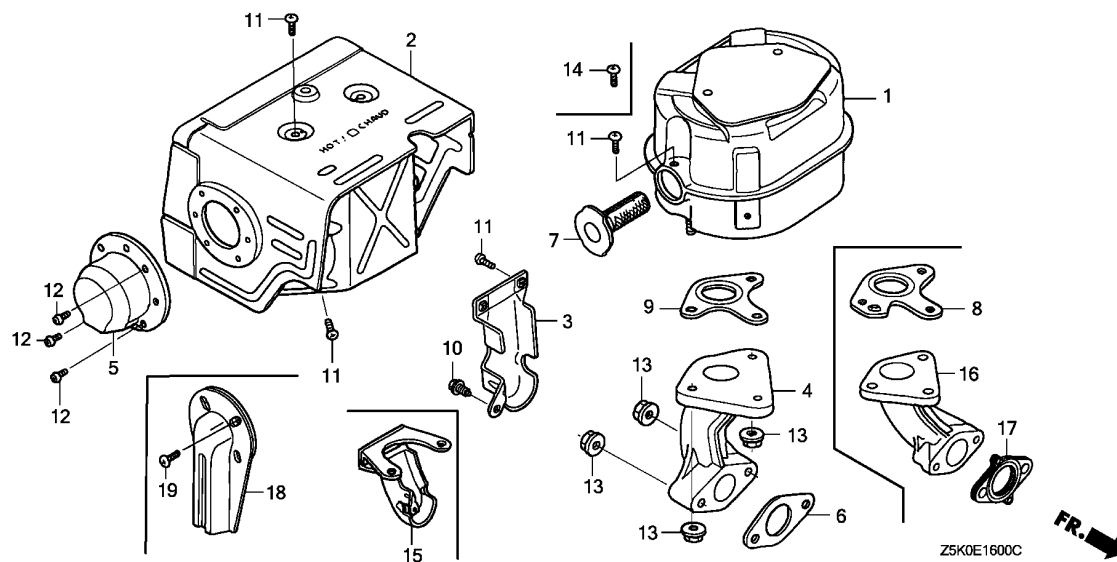
AIR CLEANER(5)

H 6



Ref. No.	Part No.	Description	Reqd. QTY				Serial No.	Parts catalogue code
			GX 270	GX 270	GX 270	GX 270		
11	90202-Z2E-000	NUT, AIR CLEANER COVER	-	-	1	-	HA2,HEA2,HKS8,HX26,LXU,PAE2,PA2,QAE2,QAG2,QAQ4,QAR2,QAW,QA2,QA26,QA4,QE,QHB4,QHQ4,QH26,QME2,QXB7,QXB9,QXE4,QXE8,QXQ4,QXUZ,QZA2,QZX4,RA2,RHE4,RHQ4,RH26,SHQ4,SMC4,SWA4,SWC4,SXB7,SXE4,SXQ4,SXU,VA2,VKQ4,VSD7,VXB7,VXE7,VXU1,VZX7	
12	90325-044-000	NUT, TOOL BOX SETTING	-	-	1	-	HA2,HEA2,HKS8,HX26,LXU,PAE2,PA2,QAE2,QAG2,QAQ4,QAR2,QAW,QA2,QA26,QA4,QE,QHB4,QHQ4,QH26,QME2,QXB7,QXB9,QXE4,QXE8,QXQ4,QXUZ,QZA2,QZX4,RA2,RHE4,RHQ4,RH26,SHQ4,SMC4,SWA4,SWC4,SXB7,SXE4,SXQ4,SXU,VA2,VKQ4,VSD7,VXB7,VXE7,VXU1,VZX7	
13	90634-ZL8-H00	CAP, SEALING	-	-	1	-		
14	94050-06000	NUT, FLANGE, 6MM	-	-	2	-	HA2,HEA2,HKS8,HX26,LXU,PAE2,PA2,QAE2,QAG2,QAQ4,QAR2,QAW,QA2,QA26,QA4,QE,QHB4,QHQ4,QH26,QME2,QXB7,QXB9,QXE4,QXE8,QXQ4,QXUZ,QZA2,QZX4,RA2,RHE4,RHQ4,RH26,SHQ4,SMC4,SWA4,SWC4,SXB7,SXE4,SXQ4,SXU,VA2,VKQ4,VSD7,VXB7,VXE7,VXU1,VZX7	
			-	-	2	-		

2



Ref. No.	L.O.N.	(Relative ref. Number) Description	F.R.T.
1	3131C5	MUFFLER, EXHAUST	0.2
2	3131D6	PROTECTOR, EXHAUST MUFFLER ... (16)	0.2
4	3131C9	PIPE, EXHAUST	0.2
6	3131B5	GASKET, EXHAUST PIPE	0.2
7	3131A1	ARRESTER, SPARK	0.2
		.INCLUDES: Spark arrester check (9)	
8	3131B4	GASKET, EXHAUST MUFFLER	0.2

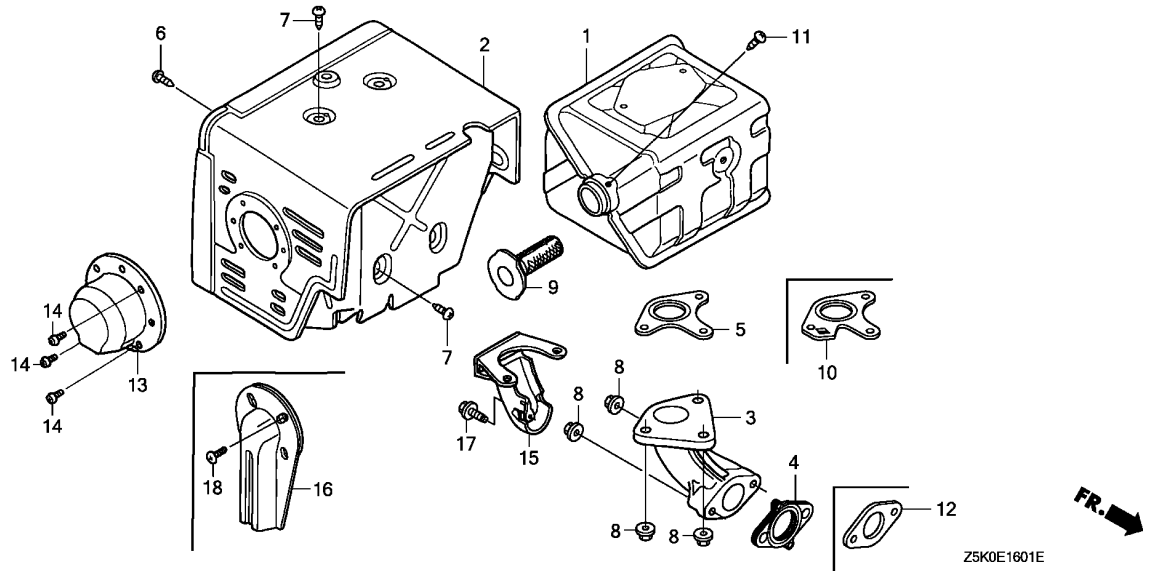
Ref. No.	Part No.	Description	Reqd. QTY				Serial No.	Parts catalogue code
			GX 270 UT	GX 270 RT	GX 270 UT2	GX 270 RT2		
1	18310-ZE2-W00	MUFFLER COMP.	1	1	-	-	HA2,HEA2,HEA8,PAE2,PA2,QAE2,QAE6,QAG2,QAQ4,QAR2,QA2,QA26,QA4,QHB4,QHQ4,QH26,RA2,RHE2,RHE4,RHQ4,RH26,SHQ4,SWC4,SWS4,VAG2,VA2,VDE2,VKQ4,VMA4,VME4,VWA2,VWN2,VW12	
2	18320-ZE2-W01	PROTECTOR COMP., MUFFLER (STD.)	1	1	-	-	HA2,HEA2,HEA8,PAE2,PA2,QAE2,QAE6,QAG2,QAQ4,QAR2,QA2,QA26,QHB4,QHQ4,QH26,RA2,RHE4,RHQ4,RH26,SHQ4,SWC4,SWS4,VAG2,VA2,VDE2,VKQ4,VMA4,VME4,VWA2,VWN2,VW12	
	18320-ZE2-W02	1	-	-	-	QA4,RHE2	
3	18323-ZE2-W00	PROTECTOR, EX. PIPE	1	1	-	-	HA2,HEA2,HEA8,PAE2,PA2,QAE2,QAE6,QAG2,QAQ4,QAR2,QA2,QA26,QA4,RA2,SWS4,VAG2,VA2,VDE2,VMA4,VME4,VWA2,VWN2,VW12	
4	18330-ZE2-W00	PIPE, EX.	1	1	-	-	HA2,HEA2,HEA8,PAE2,PA2,QAE2,QAE6,QAG2,QAQ4,QAR2,QA2,QA26,QA4,QHB4,QHQ4,QH26,RA2,RHE2,RHE4,RHQ4,RH26,SHQ4,SWS4,VAG2,VA2,VDE2,VKQ4,VMA4,VME4,VWA2,VWN2,VW12	
5	18331-ZE2-810	CAP, MUFFLER	1	1	-	-	HA2,HEA2,HEA8,PAE2,PA2,QAE2,QAE6,QAQ4,QAR2,QA2,QA26,QA4,RA2,SWS4,VAG2,VA2,VDE2,VKQ4,VMA4,VME4,VWA2,VWN2	
6	18333-ZE3-800	GASKET, EX. PIPE	1	1	-	-	VWA2	
			1	-	-	-	1027579 QAG2,QA2,QA26,QHQ4,QH26,SHQ4	
	18333-Z1C-801	1	1	-	-	HA2,HEA2,HEA8,PAE2,PA2,QAE2,QAE6,QAQ4,QAR2,QA4,QHB4,RA2,RHE2,RHE4,RHG4,RHQ4,RH26,VA2,VDE2,VKQ4,VMA4,VME4,VPE5,VWN2,VWT4,VW12	
			1	-	-	-	1027580 QAG2,QA2,QA26,QHQ4,QH26,SHQ4	
7	18355-ZE2-W00	ARRESTER, SPARK	(1)	(1)	-	-	HA2,HEA2,HEA8,PAE2,PA2,QAE2,QAE6,QAQ4,QAR2,QA4,RA2,RHE2,RHE4,RHG4,RHQ4,RH26,SWC4,SWS4,VAG2,VA2,VDE2,VKQ4,VWN2,VWT4,VW12	
			-	1	-	-	VPE5	

Ref. No.	Part No.	Description	Reqd.		QTY		Serial No.	Parts catalogue code
			GX 270 UT	GX 270 RT	GX 270 UT2	GX 270 RT2		
(7)	18355-ZE2-010	ARRESTER, SPARK	1	1	-	-	-----	VWA2
			1	(1)	-	-	-----	QAE2, QAE6, QAQ4, QAR2, QA2, QA26, QA4, SWS4, SWS4, VA2, VKQ4, VMA4, VME4, VPE5, VWT4
			(1)	1	-	-	-----	HA2, HEA2, HEA8, PAE2, PA2, QHB4, QHQ4, QH26, RA2, RHE2, RHE4, RHG4, RHQ4, RH26, SHQ4, VAG2, VDE2, VWN2, VW12
8	18381-ZE2-W10	GASKET, MUFFLER (ARRESTER) (NIPPON LEAKLESS)	1	1	-	-	-----	QA2, QA26, VWA2
			(1)	(1)	-	-	-----	HA2, HEA2, HEA8, PAE2, PA2, QAE2, QAE6, QAQ4, QAR2, QA4, QHB4, QHQ4, QH26, RA2, RHE2, RHE4, RHG4, RHQ4, RH26, SHQ4, SWS4, VAG2, VA2, VDE2, VKE4, VKQ4, VMA4, VME4, VPE4, VPE5, VWN2, VWT4, VW12
	18381-Z8S-801	GASKET, MUFFLER (ARRESTER) (THAI LEAKLESS)	1	1	-	-	-----	QAE2, QAE6, QAQ4, QAR2, QA2, QA26, QA4, SWS4, VAG2, VA2, VDE2, VKQ4, VMA4, VME4, VWA2, VWN2, VW12
9	18381-ZE2-800	GASKET, MUFFLER (NIPPON LEAKLESS)	1	-	-	-	-----	QHB4
			1	-	-	-	-----	1027579 QAG2, QHQ4, QH26, SHQ4
	18381-Z1C-801	GASKET, MUFFLER (THAI LEAKLESS)	1	-	-	-	-----	HA2, HEA2, HEA8, PAE2, PA2, QHB4, RA2, RHE2, RHE4, RHQ4, RH26
			1	-	-	-	-----	1027580 QAG2, QHQ4, QH26, SHQ4
10	90013-883-000	BOLT, FLANGE, 6X12(CT200) ...	1	1	-	-	-----	HA2, HEA2, HEA8, PAE2, PA2, QAE2, QAE6, QAG2, QAQ4, QAR2, QA2, QA26, QA4, RA2, SWS4, SWS4, VAG2, VA2, VDE2, VMA4, VME4, VWA2, VWN2, VW12
11	90050-ZE1-000	SCREW, TAPPING, 5X8	4	-	-	-	-----	QHB4, QHQ4, QH26, RHE2, RHE4, RHQ4, RH26, SHQ4
			5	-	-	-	-----	SWC4, VKQ4
			6	7	-	-	-----	HA2, HEA2, HEA8, PAE2, PA2, QAG2, RA2, VAG2, VDE2, VWN2, VW12
			7	7	-	-	-----	QAE2, QAE6, QAQ4, QAR2, QA2, QA26, QA4, SWS4, VA2, VMA4, VME4, VWA2
12	90055-ZE1-000	SCREW, TAPPING, 4X6	3	3	-	-	-----	HA2, HEA2, HEA8, PAE2, PA2, QAE2, QAE6, QAQ4, QAR2, QA2, QA26, QA4, RA2, SWS4, VAG2, VA2, VDE2, VKQ4, VMA4, VME4, VWA2, VWN2
13	94050-08000	NUT, FLANGE, 8MM	5	5	-	-	-----	HA2, HEA2, HEA8, PAE2, PA2, QAE2, QAE6, QAG2, QAQ4, QAR2, QA2, QA26, QA4, QHB4, QHQ4, QH26, RA2, RHE2, RHE4, RHQ4, RH26, SHQ4, SWC4, SWS4, VAG2, VA2, VDE2, VKQ4, VMA4, VME4, VWA2, VWN2, VW12
14	90055-ZE1-000	SCREW, TAPPING, 4X6	(1)	(1)	-	-	-----	HA2, HEA2, HEA8, PAE2, PA2, QAE2, QAE6, QAQ4, QAR2, QA2, QA4, QHB4, QHQ4, QH26, RA2, RHE2, RHE4, RHG4, RHQ4, RH26, SHQ4, SWC4, SWS4, VAG2, VA2, VDE2, VKQ4, VMA4, VME4, VPE5, VWN2, VWT4, VW12
			-	(1)	-	-	-----	VWA2
15	18323-ZE2-W60	PROTECTOR, EX. PIPE (100DB) -	1	-	-	-	-----	SWC4
16	18330-ZH9-N00	PIPE, EX.	1	-	-	-	-----	SWC4
17	18333-ZF6-W01	GASKET, EX. PIPE	1	1	-	-	-----	SWC4, SWS4, VAG2
18	18430-ZK9-W50	DEFLECTOR COMP., MUFFLER	(1)	-	-	-	-----	QAQ4
19	90055-ZE1-000	SCREW, TAPPING, 4X6	(2)	-	-	-	-----	QAQ4



E-16-1

MUFFLER(2)



Ref. No.	L.O.N.	(Relative ref. Number) Description	F.R.T.
1	3131C5	MUFFLER, EXHAUST	0.2
2	3131D6	PROTECTOR, EXHAUST MUFFLER ...	0.2
3	3131C9	PIPE, EXHAUST	0.2
4		(12)	
	3131B5	GASKET, EXHAUST PIPE	0.2
5		(10)	
	3131B4	GASKET, EXHAUST MUFFLER	0.2
9	3131A1	ARRESTER, SPARK	0.2
		.INCLUDES: Spark arrester check	

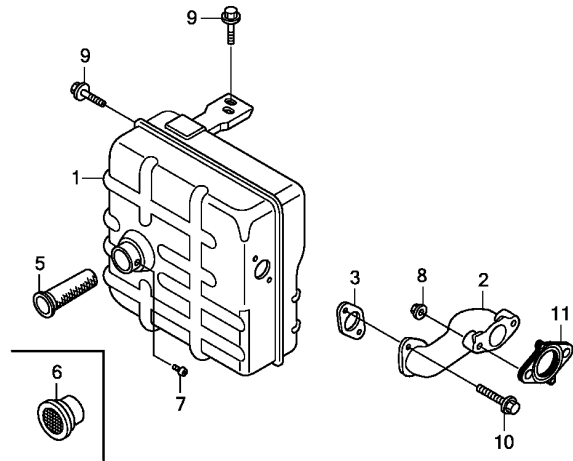
Z5K0E1601E



Ref. No.	Part No.	Description	Reqd. QTY				Serial No.	Parts catalogue code
			GX 270 UT	GX 270 RT	GX 270 UT2	GX 270 RT2		
1	18310-ZE2-W61	MUFFLER COMP. (100DB)	1	1	-	-	HKS8, HXQ4, HX26, HX8, LXE8, LXQ4, LXU, PXED, PXE8, PXU, PX26, QE, QKE4, QME2, QSC9, QSE8, QWA4, QWH2, QXB2, QXB6, QXB7, QXC2, QXC4, QXC6, QXC9, QXE4, QXE8, QXQ4, QXU, QXUZ, RSC2, RXQ4, RXU, SMC2, SMC4, SME1, SME6, SWA2, SWA4, SXB7, SXE4, SXE8, SXQ4, SXU, VKB2, VNT2, VN17, VSD7, VSH7, VXB7, VXE6, VXE7, VXQ4, VXU1, VX2	
	18310-ZK6-880	MUFFLER COMP.	1	-	-	-	QXB9, SXB9, VSD9, VXB9, VXE9	
2	18320-ZE2-W61	PROTECTOR COMP., MUFFLER	1	1	-	-	HKS8, HXQ4, HX26, HX8, LXE8, LXQ4, LXU, PXED, PXE8, PXU, PX26, QE, QME2, QSC9, QSE8, QWA4, QWH2, QXB6, QXC4, QXC6, QXC9, QXE4, QXE8, QXQ4, QXU, QXUZ, RSC2, RXQ4, RXU, SMC4, SME1, SME6, SWA4, SXE4, SXE8, SXQ4, SXU, VKB2, VNT2, VXE6, VXQ4, VXU1, VX2	
	18320-ZE2-W62	1	-	-	-	QXC9, QXC2, SMC2, SWA2	
	18320-ZF6-W01	PROTECTOR COMP., MUFFLER (100DB)	1	1	-	-	QXB7, QXB9, SXB7, SXB9, VN17, VSD7, VSD9, VSH7, VXB7, VXB9, VXE7, VXE9	
	18320-ZF6-W02	1	-	-	-	QXB2	
3	18330-ZH9-N00	PIPE, EX.	1	1	-	-	HKS8, HXQ4, HX26, HX8, LXE8, LXQ4, LXU, PXED, PXE8, PXU, PX26, QE, QME2, QSC9, QSE8, QWA4, QWH2, QXB2, QXB6, QXB7, QXB9, QXC2, QXC4, QXC6, QXC9, QXE4, QXE8, QXQ4, QXU, QXUZ, RSC2, RXQ4, RXU, SMC2, SMC4, SME1, SME6, SWA2, SWA4, SXB7, SXB9, SXE4, SXE8, SXQ4, SXU, VKB2, VNT2, VN17, VSD7, VSD9, VSH7, VXB7, VXB9, VXE6, VXE7, VXE9, VXQ4, VXU1, VX2	
4	18333-ZF6-W01	GASKET, EX. PIPE	1	1	-	-	HKS8, HXQ4, HX26, HX8, LXE8, LXQ4, LXU, PXED, PXE8, PXU, PX26, QE, QME2, QSC9, QSE8, QWA4, QWH2, QXB2, QXB6, QXB7, QXB9, QXC2, QXC4, QXC6, QXC9, QXE4, QXE8, QXQ4, QXU, QXUZ, RSC2, RXQ4, RXU, SMC2, SMC4, SME1, SME6, SWA2, SWA4, SXB7, SXB9, SXE4, SXE8, SXQ4, SXU, VKB2, VNT2, VN17, VSD7, VSD9, VSH7, VXB7, VXB9, VXE6, VXE7, VXE9, VXQ4, VXU1, VX2	
5	18381-ZE2-800	GASKET, MUFFLER (NIPPON LEAKLESS)	1	-	-	-	QKE4, QXUZ	
			1	-	-	-	1027579 LXE8, LXU, PXE8, PXU, QSE8, QXC9, QXE8, QXQ4, QXU, SXE8, SXQ4, SXU, VXU1	

2

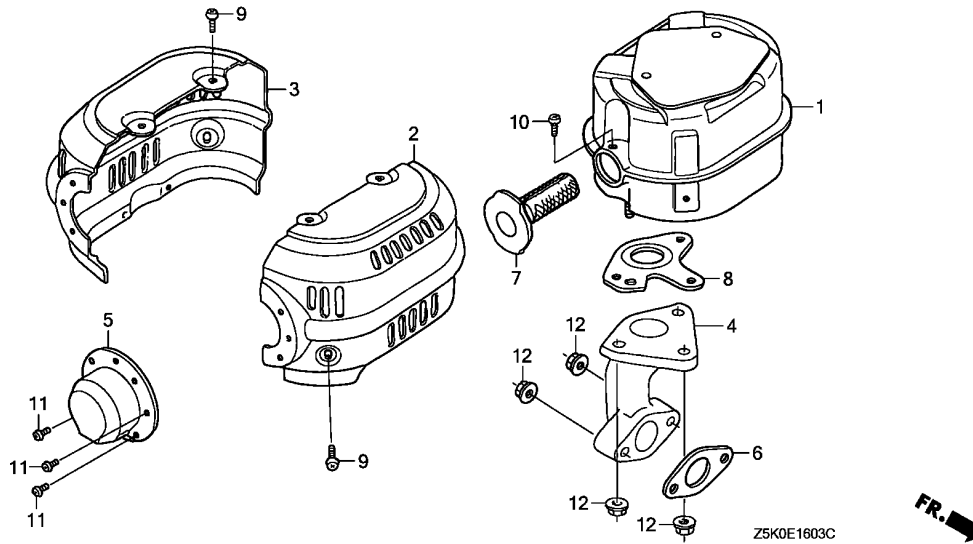
Ref. No.	Part No.	Description	Reqd. QTY				Serial No.	Parts catalogue code	
			GX 270 UT	GX 270 RT	GX 270 UT2	GX 270 RT2			
(5)	18381-Z1C-801	GASKET, MUFFLER (THAI LEAKLESS)	1	-	-	-	-----	HXQ4, HX26, HX8, LXQ4, PX26, QME2, QSC9, QWA4, QWH2, QXB6, QXCU, QXC2, QXC4, QXC6, QXE4, QXUZ, RXQ4, RXU, SME1, SME6, SXE4, VXE6, VXQ4, VX2, LXE8, LXU, PXE8, PXU, QSE8, QXC9, QXE8, QXQ4, QXU, SXE8, SXQ4, SXU, VXU1	
			1	-	-	-	1027580	-----	
6	90006-ZE2-000	SCREW, TAPPING, 6X10	1	1	-	-	-----	HKS8, HXQ4, HX26, HX8, LXE8, LXQ4, LXU, PXED, PXE8, PXU, PX26, QE, QME2, QSC9, QSE8, QWA4, QWH2, QXB2, QXB6, QXB7, QXB9, QXCU, QXC2, QXC4, QXC6, QXC9, QXE4, QXE8, QXQ4, QXU, QXUZ, RSC2, RXQ4, RXU, SMC2, SMC4, SME1, SME6, SWA2, SWA4, SXB7, SXB9, SXE4, SXE8, SXQ4, SXU, VKB2, VNT2, VN17, VSD7, VSD9, VSH7, VXB7, VXB9, VXE6, VXE7, VXE9, VXQ4, VXU1, VX2	
7	90050-ZE1-000	SCREW, TAPPING, 5X8	4	4	-	-	-----	HKS8, HXQ4, HX26, HX8, LXE8, LXQ4, LXU, PXED, PXE8, PXU, PX26, QE, QME2, QSC9, QSE8, QWA4, QWH2, QXB2, QXB6, QXB7, QXB9, QXCU, QXC2, QXC4, QXC6, QXC9, QXE4, QXE8, QXQ4, QXU, QXUZ, RSC2, RXQ4, RXU, SMC2, SMC4, SME1, SME6, SWA2, SWA4, SXB7, SXB9, SXE4, SXE8, SXQ4, SXU, VKB2, VNT2, VN17, VSD7, VSD9, VSH7, VXB7, VXB9, VXE6, VXE7, VXE9, VXQ4, VXU1, VX2	
8	94050-08000	NUT, FLANGE, 8MM	2	2	-	-	-----	QKE4, RHG4, VPE5	
			5	5	-	-	-----	HKS8, HXQ4, HX26, HX8, LXE8, LXQ4, LXU, PXED, PXE8, PXU, PX26, QE, QME2, QSC9, QSE8, QWA4, QWH2, QXB2, QXB6, QXB7, QXB9, QXCU, QXC2, QXC4, QXC6, QXC9, QXE4, QXE8, QXQ4, QXU, QXUZ, RSC2, RXQ4, RXU, SMC2, SMC4, SME1, SME6, SWA2, SWA4, SXB7, SXB9, SXE4, SXE8, SXQ4, SXU, VKB2, VNT2, VN17, VSD7, VSD9, VSH7, VXB7, VXB9, VXE6, VXE7, VXE9, VXQ4, VXU1, VX2	
9	18355-ZE2-W00	ARRESTER, SPARK	-	2	-	-	-----	VPX5, VPX9	
			1	1	-	-	-----	VN17, VPX5, VPX9, VSH7	
			1	(1)	-	-	-----	HKS8, PXED, QE, QXB2, QXB7, QXB9, RSC2, SMC2, SMC4, SXB7, SXB9, VSD7, VSD9, VXB7, VXB9, VXE7, VXE9	
	18355-ZE2-010		(1)	(1)	-	-	-----	HXQ4, HX26, HX8, LXQ4, PX26, QKE4, QME2, QSC9, QWA4, QWH2, QXB6, QXCU, QXC2, QXC4, QXC6, QXC9, QXE4, RXQ4, RXU, SME1, SME6, SWA2, SWA4, SXE4, VKB2, VNT2, VXE6	
			(1)	(1)	-	-	-----	HKS8, HXQ4, HX26, HX8, LXQ4, PX26, QE, QKE4, QME2, QSC9, QWA4, QWH2, QXB2, QXB6, QXCU, QXC2, QXC4, QXC6, QXE4, RSC2, RXQ4, RXU, SMC2, SMC4, SME1, SME6, SWA2, SWA4, SXB7, SXE4, VKB2, VNT2, VXE6, VXE7	
10	18381-ZE2-W10	GASKET, MUFFLER (ARRESTER) (NIPPON LEAKLESS)	1	1	-	-	-----	PXED, QXB2, QXB7, QXB9, SXB7, SXB9, VKB2, VNT2, VN17, VSD7, VSD9, VSH7, VXB7, VXB9, VXE7, VXE9	
			(1)	(1)	-	-	-----	HKS8, HXQ4, HX26, HX8, LXQ4, PX26, QE, QKE4, QME2, QSC9, QWA4, QWH2, QXB6, QXCU, QXC2, QXC4, QXC6, QXC9, QXE4, RHG4, RSC2, RXQ4, RXU, SMC2, SMC4, SME1, SME6, SWA2, SWA4, SXE4, VPE5, VWT4, VXE6	
	18381-Z8S-801	GASKET, MUFFLER (ARRESTER) (THAI LEAKLESS)	1	1	-	-	-----	HKS8, PXED, QE, QXB7, RSC2, SMC2, SMC4, SWA2, SWA4, VN17, VSD7, VSH7, VXB7	
11	90050-ZE1-000	SCREW, TAPPING, 5X8	1	1	-	-	-----	HKS8, PXED, QE, QXB2, QXB7, QXB9, SMC2, SMC4, SXB7, SXB9, VKB2, VNT2, VN17, VSD7, VSD9, VSH7, VXB7, VXB9, VXE7, VXE9	
	90055-ZE1-000	SCREW, TAPPING, 4X6	(1)	(1)	-	-	-----	HKS8, HXQ4, HX26, HX8, LXQ4, PX26, QE, QKE4, QME2, QSC9, QWA4, QWH2, QXB2, QXB6, QXB7, QXCU, QXC2, QXC4, QXC6, QXC9, QXE4, RSC2, RXQ4, RXU, SMC2, SMC4, SME1, SME6, SWA2, SWA4, SXB7, SXE4, VKB2, VNT2, VXE6, VXE7	
12	18333-ZE3-800	GASKET, EX. PIPE	1	1	-	-	-----	VPX5, VPX9	
	18333-ZK6-Y00		1	(1)	-	-	-----	QKE4, VNT2	
13	18331-ZE2-810	CAP, MUFFLER	1	1	-	-	-----	HKS8, PXED, QE, QWA4, QWH2, QXUZ, VKB2, VNT2	
14	90055-ZE1-000	SCREW, TAPPING, 4X6	3	3	-	-	-----	HKS8, PXED, QE, QWA4, QWH2, QXUZ, VKB2, VNT2	
15	18323-ZE2-W60	PROTECTOR, EX. PIPE (100DB)	1	1	-	-	-----	RSC2, SWA2, SWA4, VKB2, VNT2	
16	18430-ZF6-W50	DEFLECTOR COMP., MUFFLER	(1)	-	-	-	-----	QE	
17	90013-883-000	BOLT, FLANGE, 6X12(CT200)	1	1	-	-	-----	RSC2, SWA2, SWA4, VKB2, VNT2	
18	90055-ZE1-000	SCREW, TAPPING, 4X6	(2)	-	-	-	-----	QE	



Z5K0E1602C

Ref. No.	L.O.N.	(Relative ref. Number) Description	F.R.T.
1	3131C5	MUFFLER, EXHAUST	0.2
2	3131C9	PIPE, EXHAUST	0.2
3		(11)	
	3131B5	GASKET, EXHAUST PIPE	0.2
5	3131F9	ARRESTER, SPARK(A)	0.1
		.INCLUDES: Spark arrester- inspection	

Ref. No.	Part No.	Description	Reqd. QTY				Serial No.	Parts catalogue code
			GX 270 UT	GX 270 RT	GX 270 UT2	GX 270 RT2		
1	18310-ZH9-V01	MUFFLER COMP. (SDM0)	1	1	-	-	VPX4,VS37,VS39	
2	18330-ZE2-700	PIPE, EX.	1	1	-	-	VPX4,VS37,VS39	
3	18333-ZB4-800	GASKET, EX. PIPE	1	1	-	-	VPX4,VS37,VS39	
5	18355-ZB4-630	ARRESTER, SPARK	1	1	-	-	VPX4,VS37	
			(1)	(1)	-	-	VS39	
6	18361-ZL0-000	NETTING, WIRE FLANGE	1	1	-	-	VS39	
7	90002-ZE2-U91	SCREW, TAPPING, 4X8	1	1	-	-	VPX4,VS37	
			(1)	(1)	-	-	VS39	
	90056-ZL0-000	SCREW, TAPPING, 4X6	1	1	-	-	VS39	
8	94050-08000	NUT, FLANGE, 8MM	2	2	-	-	VPX4,VS37,VS39	
9	95701-08016-08	BOLT, FLANGE, 8X16	2	2	-	-	VPX4,VS37,VS39	
10	95701-08020-00	BOLT, FLANGE, 8X20	2	2	-	-	VS37,VS39	
	95701-08020-08	2	2	-	-	VPX4	
11	18333-ZF6-W01	GASKET, EX. PIPE	1	1	-	-	VPX4,VS37,VS39	



Ref. No.	L.O.N.	(Relative ref. Number) Description	F.R.T.
1	3131C5	MUFFLER, EXHAUST	0.2
2	3131H0	PROTECTOR, EXHAUST MUFFLER :FRONT	0.2
3	3131D3	PROTECTOR, EXHAUST MUFFLER :REAR	0.2
4	3131C9	PIPE, EXHAUST	0.2
6	3131B5	GASKET, EXHAUST PIPE	0.2
7	3131A1	ARRESTER, SPARK	0.2
		.INCLUDES: Spark arrester check	
8	3131B4	GASKET, EXHAUST MUFFLER	0.2

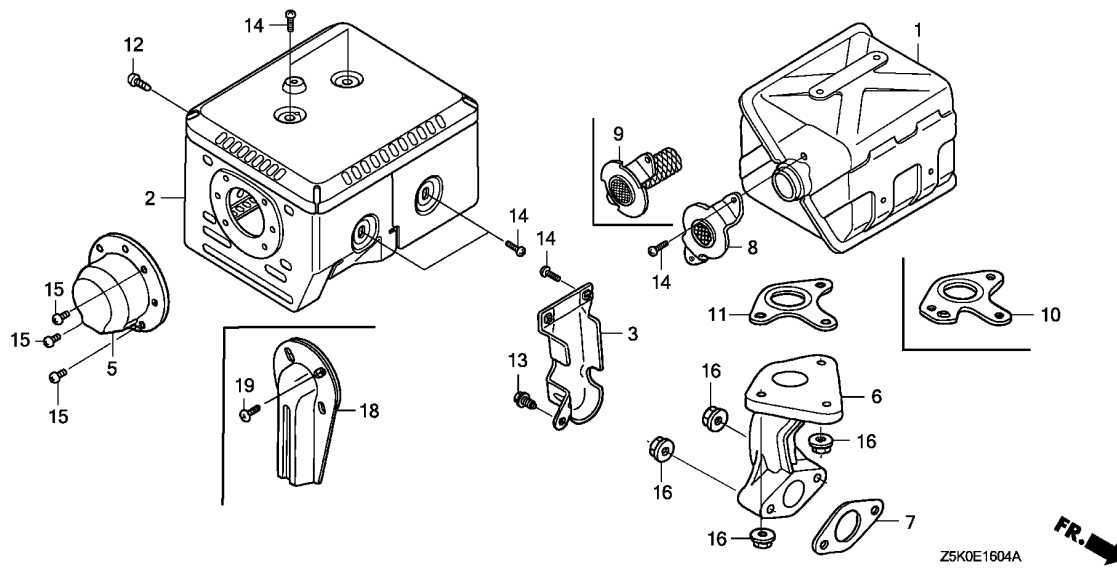
Ref. No.	Part No.	Description	Reqd. QTY				Serial No.	Parts catalogue code
			GX 270 UT	GX 270 RT	GX 270 UT2	GX 270 RT2		
1	18310-Z8S-810	MUFFLER COMP.	1	-	1	-	-----	QAW
2	18320-ZE2-P30	PROTECTOR, R. MUFFLER (STD.)	1	-	-	-	-----	QAW
	18320-ZE2-P31	-	-	1	-	-----	QAW
3	18325-ZE2-P30	PROTECTOR, L. MUFFLER (STD.)	1	-	1	-	-----	QAW
4	18330-ZE2-000	PIPE, EX.	1	-	1	-	-----	QAW
5	18331-ZE2-810	CAP, MUFFLER	1	-	-	-	-----	QAW
	18331-ZE3-811	-	-	1	-	-----	QAW
6	18333-Z1C-801	GASKET, EX. PIPE	1	-	1	-	-----	QAW
7	18355-ZE2-010	ARRESTER, SPARK	1	-	1	-	-----	QAW
8	18381-ZE2-W10	GASKET, MUFFLER (ARRESTER) (NIPPON LEAKLESS)	(1)	-	(1)	-	-----	QAW
	18381-Z8S-801	GASKET, MUFFLER (ARRESTER) (THAI LEAKLESS)	1	-	1	-	-----	QAW
9	90050-ZE1-000	SCREW, TAPPING, 5X8	6	-	6	-	-----	QAW
10	90050-ZE1-000	SCREW, TAPPING, 5X8	1	-	1	-	-----	QAW
	90055-ZE1-000	SCREW, TAPPING, 4X6	(1)	-	(1)	-	-----	QAW
11	90055-ZE1-000	SCREW, TAPPING, 4X6	3	-	3	-	-----	QAW
12	94050-08000	NUT, FLANGE, 8MM	5	-	5	-	-----	QAW



E-16-4

MUFFLER(5)

H13



Ref. No.	L.O.N.	(Relative ref. Number) Description	F.R.T.
1	3131C5	MUFFLER, EXHAUST	0.2
2	3131D6	PROTECTOR, EXHAUST MUFFLER ...	0.2
6	3131C9	PIPE, EXHAUST	0.2
7	3131B5	GASKET, EXHAUST PIPE	0.2
8	3131G5	FLANGE, EXHAUST BAFFLE	0.2
9	3131A1	ARRESTER, SPARK	0.2
.INCLUDES: Spark arrester check (10)			
11	3131B4	GASKET, EXHAUST MUFFLER	0.2

Z5K0E1604A



Ref. No.	Part No.	Description	Reqd. QTY				Serial No.	Parts catalogue code
			GX 270 UT	GX 270 RT	GX 270 UT2	GX 270 RT2		
1	18310-Z5K-000	MUFFLER COMP.	-	-	1	1	-----	HA2,HEA2,HKS8,HX26,LXU,PAE2,PA2,QAE2,QAG2,QAQ4,QR2,QA2,QA26,QA4,QE,QHB4,QHQ4,QH26,QME2,QXB7,QXB9,QXE4,QXE8,QXQ4,QXUZ,QZA2,QZX4,RA2,RHE4,RHQ4,RH26,RSC2,SHQ4,SMC4,SWA4,SWC4,SBX7,SXE4,SXQ4,SXU,VA2,VDE2,VKB2,VKQ4,VNT2,VN17,VSD7,VXB7,VXE7,VXU1,VZX7
2	18320-Z5K-000	PROTECTOR COMP., MUFFLER	-	-	1	1	-----	HA2,HEA2,HKS8,HX26,LXU,PAE2,PA2,QAE2,QAG2,QAQ4,QR2,QA2,QA26,QA4,QE,QHB4,QHQ4,QH26,QME2,QXE4,QXE8,QXQ4,QXUZ,QZA2,QZX4,RA2,RHE4,RHQ4,RH26,RSC2,SHQ4,SMC4,SWA4,SWC4,SXE4,SXQ4,SXU,VA2,VDE2,VKB2,VKQ4,VNT2,VXU1
	18320-Z5K-800	PROTECTOR COMP., MUFFLER (100DB)	-	-	1	1	-----	QXB7,QXB9,SBX7,VN17,VSD7,VXB7,VXE7,VZX7
3	18323-ZE2-W00	PROTECTOR, EX. PIPE	-	-	1	1	-----	HA2,HEA2,PAE2,PA2,QAE2,QAG2,QAQ4,QR2,QA2,QA26,QA4,QZA2,RA2,RSC2,SWA4,SWC4,VA2,VDE2,VKB2,VNT2
5	18331-ZE3-811	CAP, MUFFLER	-	-	1	1	-----	HA2,HEA2,HKS8,PAE2,PA2,QAE2,QAQ4,QR2,QA2,QA26,QA4,QE,QXUZ,QZA2,RA2,VA2,VDE2,VKB2,VKQ4,VNT2
6	18331-Z5T-000	PIPE, EX.	-	-	1	1	-----	HA2,HEA2,HKS8,HX26,LXU,PAE2,PA2,QAE2,QAG2,QAQ4,QR2,QA2,QA26,QA4,QE,QHB4,QHQ4,QH26,QME2,QXB7,QXB9,QXE4,QXE8,QXQ4,QXUZ,QZA2,QZX4,RA2,RHE4,RHQ4,RH26,RSC2,SHQ4,SMC4,SWA4,SWC4,SBX7,SXE4,SXQ4,SXU,VA2,VDE2,VKB2,VKQ4,VNT2,VN17,VSD7,VXB7,VXE7,VXU1,VZX7
7	18333-ZK6-Y00 18333-Z1C-801	GASKET, EX. PIPE	-	-	1	(1)	-----	QKE4,VNT2 HA2,HEA2,HKS8,HX26,LXU,PAE2,PA2,QAE2,QAG2,QAQ4,QR2,QA2,QA26,QA4,QE,QHB4,QHQ4,QH26,QME2,QXB7,QXB9,QXE4,QXE8,QXQ4,QXUZ,QZA2,QZX4,RA2,RHE4,RHQ4,RH26,SHQ4,SMC4,SWA4,SWC4,SBX7,SXE4,SXQ4,SXU,VA2,VKQ4,VSD7,VXB7,VXE7,VXU1,VZX7
8	18336-ZE3-000	FLANGE COMP., BAFFLE	-	-	1	1	-----	HA2,HEA2,HX26,LXU,PAE2,PA2,QAG2,QHB4,QHQ4,QH26,QME2,QXE4,QXE8,QXQ4,QXUZ,QZX4,RA2,RHE4,RHQ4,RH26,RSC2,SHQ4,SWA4,SXE4,SXQ4,SXU,VXU1

2

E-16-4

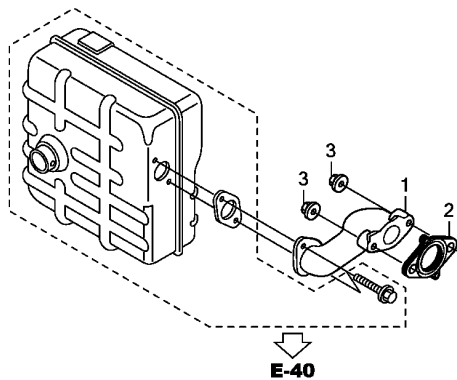
MUFFLER(5)

H14

Ref. No.	Part No.	Description	Reqd.		QTY		Serial No.	Parts catalogue code
			GX 270 UT	GX 270 RT	GX 270 UT2	GX 270 RT2		
9	18350-Z5T-800	ARRESTER COMP., SPARK	-	-	1	1	-----	HKS8, QAE2, QAQ4, QAR2, QA2, QA26, QA4, QE, QXB7, QXB9, QZA2, SMC4, SWC4, SXB7, VA2, VDE2, VKB2, VKQ4, VNT2, VN17, VSD7, VXB7, VXE7, VZX7
			-	-	(1)	(1)	-----	HA2, HEA2, HX26, LXU, PAE2, PA2, QAG2, QHB4, QHQ4, QH26, QKE4, QME2, QXE4, QXE8, QXQ4, QXUZ, QZX4, RA2, RHE4, RHQ4, RH26, RSC2, SHQ4, SWA4, SXE4, SXQ4, SXU, VWT4, VXU1
10	18381-ZE2-W10	GASKET, MUFFLER (ARRESTER) (NIPPON LEAKLESS)	-	-	1	1	-----	HKS8, QAE2, QAQ4, QAR2, QA2, QA26, QA4, QE, QXB7, QXB9, QZA2, SMC4, SWC4, SXB7, VA2, VDE2, VKB2, VKQ4, VNT2, VN17, VSD7, VXB7, VXE7, VZX7
			-	-	(1)	(1)	-----	HA2, HEA2, HX26, LXU, PAE2, PA2, QAG2, QHB4, QHQ4, QH26, QKE4, QME2, QXE4, QXE8, QXQ4, QXUZ, QZX4, RA2, RHE4, RHQ4, RH26, RSC2, SHQ4, SWA4, SXE4, SXQ4, SXU, VWT4, VXU1
	18381-Z8S-801	GASKET, MUFFLER (ARRESTER) (THAI LEAKLESS)	-	-	1	1	-----	HKS8, QAE2, QAQ4, QAR2, QA2, QA26, QA4, QE, QXB7, QXB9, QZA2, SMC4, SWC4, SXB7, VA2, VDE2, VKB2, VKQ4, VNT2, VN17, VSD7, VXB7, VXE7, VZX7
	18381-ZE2-801	GASKET, MUFFLER (NIPPON LEAKLESS)	-	-	1	1	-----	HX26, LXU, QKE4, QXUZ, QZX4, RH26, RSC2, SWA4, SXE4, SXU
11	18381-Z1C-801	GASKET, MUFFLER (THAI LEAKLESS)	-	-	1	1	-----	HA2, HEA2, HX26, LXU, PAE2, PA2, QAG2, QHB4, QHQ4, QH26, QME2, QXE4, QXE8, QXQ4, QXUZ, QZX4, RA2, RHE4, RHQ4, RH26, RSC2, SHQ4, SWA4, SXE4, SXQ4, SXU, VXU1
12	90006-ZE2-000	SCREW, TAPPING, 6X10	-	-	1	1	-----	HA2, HEA2, HKS8, HX26, LXU, PAE2, PA2, QAE2, QAG2, QAQ4, QAR2, QA2, QA26, QA4, QE, QHB4, QHQ4, QH26, QME2, QXB7, QXB9, QXE4, QXE8, QXQ4, QXUZ, QZA2, QZX4, RA2, RHE4, RHQ4, RH26, RSC2, SHQ4, SMC4, SWA4, SWC4, SXB7, SXE4, SXQ4, SXU, VA2, VDE2, VKB2, VKQ4, VNT2, VN17, VSD7, VXB7, VXE7, VXU1, VZX7
13	90013-883-000	BOLT, FLANGE, 6X12(CT200) ...	-	-	1	1	-----	HA2, HEA2, PAE2, PA2, QAE2, QAG2, QAQ4, QAR2, QA2, QA26, QA4, QZA2, RA2, RSC2, SWA4, SWC4, VA2, VDE2, VKB2, VNT2
14	90050-ZE1-000	SCREW, TAPPING, 5X8	-	-	6	6	-----	HKS8, HX26, LXU, QE, QHB4, QHQ4, QH26, QME2, QXB7, QXB9, QXE4, QXE8, QXQ4, QXUZ, QZX4, RHE4, RHQ4, RH26, SHQ4, SMC4, SXB7, SXE4, SXQ4, SXU, VKQ4, VN17, VSD7, VXB7, VXE7, VXU1, VZX7
			-	-	8	8	-----	HA2, HEA2, PAE2, PA2, QAE2, QAG2, QAQ4, QAR2, QA2, QA26, QA4, QZA2, RA2, RSC2, SWA4, SWC4, VA2, VDE2, VKB2, VNT2
			-	-	(2)	(2)	-----	QKE4, VWT4
15	90055-ZE1-000	SCREW, TAPPING, 4X6	-	-	3	3	-----	HA2, HEA2, HKS8, PAE2, PA2, QAE2, QAQ4, QAR2, QA2, QA26, QA4, QE, QXUZ, QZA2, RA2, VA2, VDE2, VKB2, VKQ4, VNT2
16	94050-08000	NUT, FLANGE, 8MM	-	-	2	-	-----	QKE4
			-	-	5	5	-----	HA2, HEA2, HKS8, HX26, LXU, PAE2, PA2, QAE2, QAG2, QAQ4, QAR2, QA2, QA26, QA4, QE, QHB4, QHQ4, QH26, QME2, QXB7, QXB9, QXE4, QXE8, QXQ4, QXUZ, QZA2, QZX4, RA2, RHE4, RHQ4, RH26, RSC2, SHQ4, SMC4, SWA4, SWC4, SXB7, SXE4, SXQ4, SXU, VA2, VDE2, VKB2, VKQ4, VNT2, VN17, VSD7, VXB7, VXE7, VXU1, VZX7
18	18430-ZF6-W50	DEFLECTOR COMP., MUFFLER	-	-	(1)	-	-----	QAQ4, QE
19	90055-ZE1-000	SCREW, TAPPING, 4X6	-	-	(2)	-	-----	QAQ4, QE

2

Ref. No.	L.O.N.	(Relative ref. Number) Description	F.R.T.
1	3131C9	PIPE, EXHAUST	0.2
2	3131B5	GASKET, EXHAUST PIPE	0.2



Z5K0E1610A



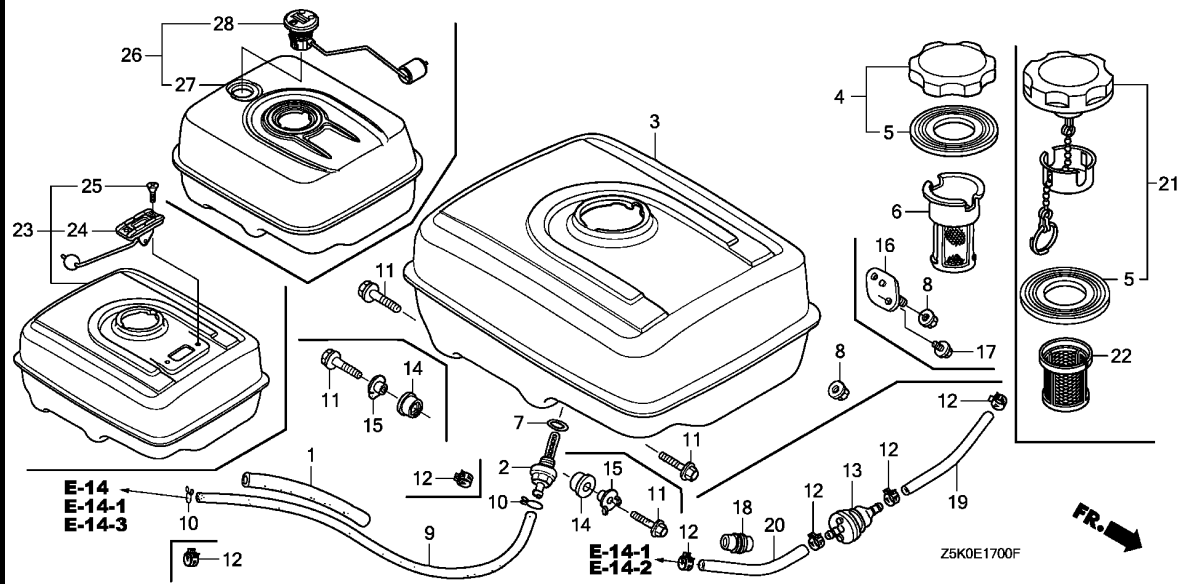
2

Ref. No.	Part No.	Description	Reqd. QTY				Serial No.	Parts catalogue code
			GX 270	GX 270	GX 270	GX 270		
			UT	RT	UT2	RT2		
1	18330-ZE2-700	PIPE, EX.	1	1	-	-	-----	VKE4, VKX4, VPE2, VPE4
2	18333-ZF6-W01	GASKET, EX. PIPE	1	1	-	-	-----	VKE4, VKX4, VPE2, VPE4
3	94050-08000	NUT, FLANGE, 8MM	2	2	-	-	-----	VKE4, VKX4, VPE2, VPE4

E-17

FUEL TANK

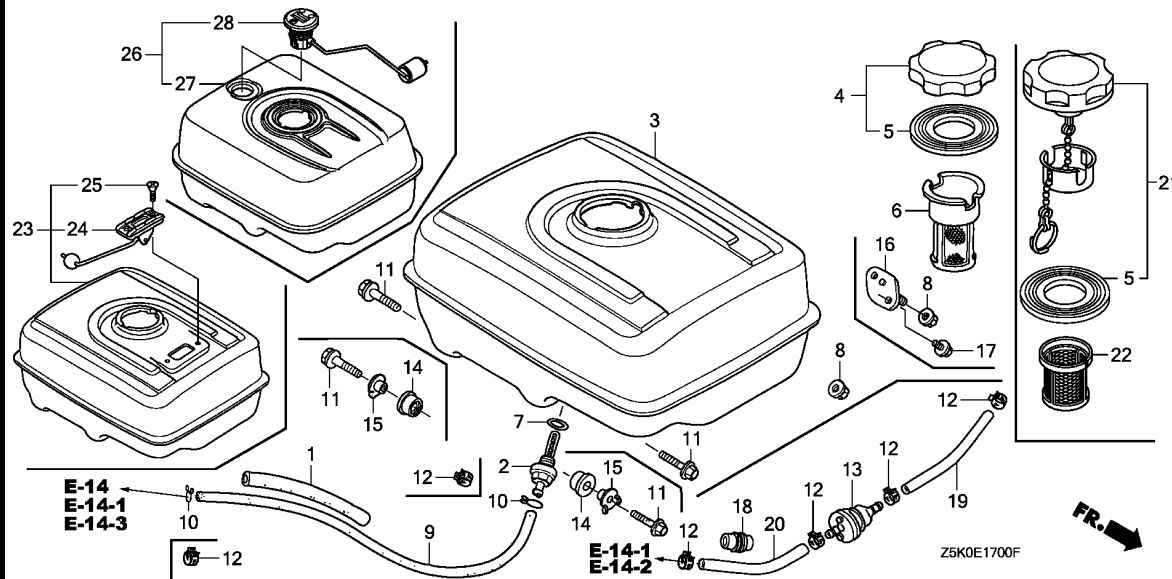
H16



Ref. No.	L.O.N.	(Relative ref. Number) Description	F.R.T.
2	(7)	JOINT, FUEL STRAINER	0.2
3	(23,26,27)	TANK, FUEL	0.2
6	(22)	FILTER, FUEL	0.1
9	3101F1	TUBE, FUEL TANK	0.2
13	3101H8	STRAINER, FUEL	0.1
19	3101F6	TUBE, FUEL	0.1
20	3101G0	TUBE, FUEL STRAINER	0.1
24	(28)	METER/GAUGE UNIT, FUEL	0.1
6171A1		METER/GAUGE UNIT, FUEL	0.1

Ref. No.	Part No.	Description	Reqd. QTY				Serial No.	Parts catalogue code
			GX 270	GX 270	GX 270	GX 270		
1	16854-ZH8-000	RUBBER, SUPPORTER (107MM) ...	1	1	-	1	HA2,HEA2,HEA8,HKS8,HXQ4,HX26,HX8,LXE8,LXQ4,LXU,PAE2,PA2,PXED,PXE8,PXU,PX26,QA2,QA6,QAG2,QAQ4,QAR2,QAW,QA2,QA26,QA4,QE,QHB4,QHQ4,QH26,QKE4,QME2,QSC9,QSE8,QWA4,QWH2,QXB2,QXB6,QXB7,QXB9,QXC9,QXC2,QXC4,QXC6,QXC9,QXE4,QXE8,QXQ4,QXU,QXUZ,RA2,RHE2,RHE4,RHQ4,RH26,RXQ4,RXU,SHQ4,SMC2,SMC4,SME1,SME6,SWA2,SWA4,SWC4,SWS4,SWB7,SWB9,SXE4,SXE8,SXQ4,SXU,VAG2,VA2,VDE2,VKB2,VKQ4,VMA4,VME4,VNT2,VN17,VSD7,VSD9,VSH7,VS37,VS39,VWN2,VW12,VXB7,VXB9,VXE6,VXE7,VXE9,VXQ4,VXU1,VX2	
2	16955-ZE1-000	JOINT, FUEL TANK	1	-	-	-	HA2,HEA2,HEA8,HKS8,HXQ4,HX26,HX8,LXE8,LXQ4,LXU,PAE2,PA2,PXED,PXE8,PXU,PX26,QA2,QA6,QAG2,QAQ4,QAR2,QAW,QA2,QA26,QA4,QE,QHB4,QHQ4,QH26,QKE4,QME2,QSC9,QSE8,QWA4,QWH2,QXB2,QXB6,QXB7,QXB9,QXC9,QXC2,QXC4,QXC6,QXC9,QXE4,QXE8,QXQ4,QXU,QXUZ,RA2,RHE2,RHE4,RHQ4,RH26,RXQ4,RXU,SHQ4,SMC2,SMC4,SME1,SME6,SWA2,SWA4,SWC4,SWS4,SWB7,SWB9,SXE4,SXE8,SXQ4,SXU,VA2,VKQ4,VMA4,VME4,VSD7,VSD9,VXB7,VXB9,VXE6,VXE7,VXE9,VXQ4,VXU1,VX2	
3	16955-ZE1-010 17510-ZE2-020ZA	TANK COMP., FUEL *NH31*.....MCKINLEY WHITE	-	-	1	-	HA2,HEA2,HEA8,HKS8,HXQ4,HX26,HX8,LXE8,LXQ4,LXU,PAE2,PA2,PXED,PXE8,PXU,PX26,QA2,QA6,QAG2,QAQ4,QAR2,QAW,QA2,QA26,QA4,QE,QHB4,QHQ4,QH26,QME2,QSE8,QWA4,QXB2,QXB6,QXB7,QXB9,QXC9,QXC2,QXC4,QXC6,QXC9,QXE4,QXE8,QXQ4,QXU,QXUZ,RA2,RHE2,RHE4,RHQ4,RH26,RXQ4,RXU,SHQ4,SMC2,SMC4,SME1,SME6,SWA2,SWA4,SWC4,SWB7,SWB9,SXE4,SXE8,SXQ4,SXU,VA2,VSD7,VXB7,VXE6,VXE7,VXQ4,VXU1,VX2	
	17510-ZE2-020ZD	*NH1*.....BLACK	1	-	-	-	HA2,PA2,QA2,QAQ4,QAR2,QA2,QA4,QWA4,QWH2,QXC9,RA2,SWC4,SWS4,VA2,VMA4,VME4,VSD7,VXE7,VX2	
	17510-ZK2-880ZC	*NH31*.....MCKINLEY WHITE	1	-	-	-	VXB9	
	17510-Z8S-880ZA	*NH1*.....BLACK	1	-	-	-	VXE9	
	17510-Z8S-880ZC	*NH31*.....MCKINLEY WHITE	1	-	-	-	VSD9,VXE9	

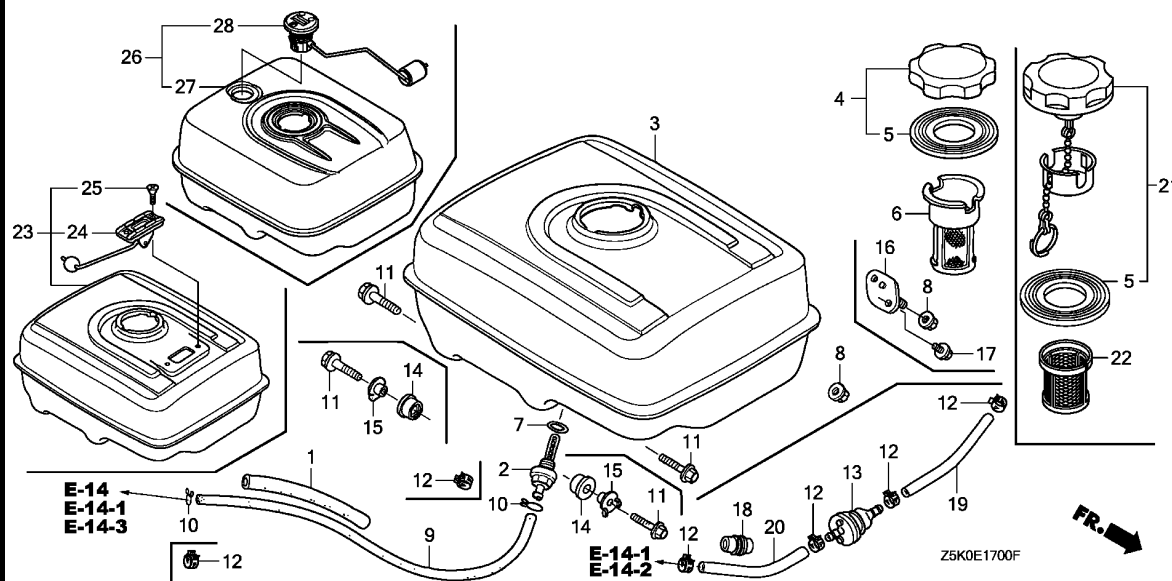
2



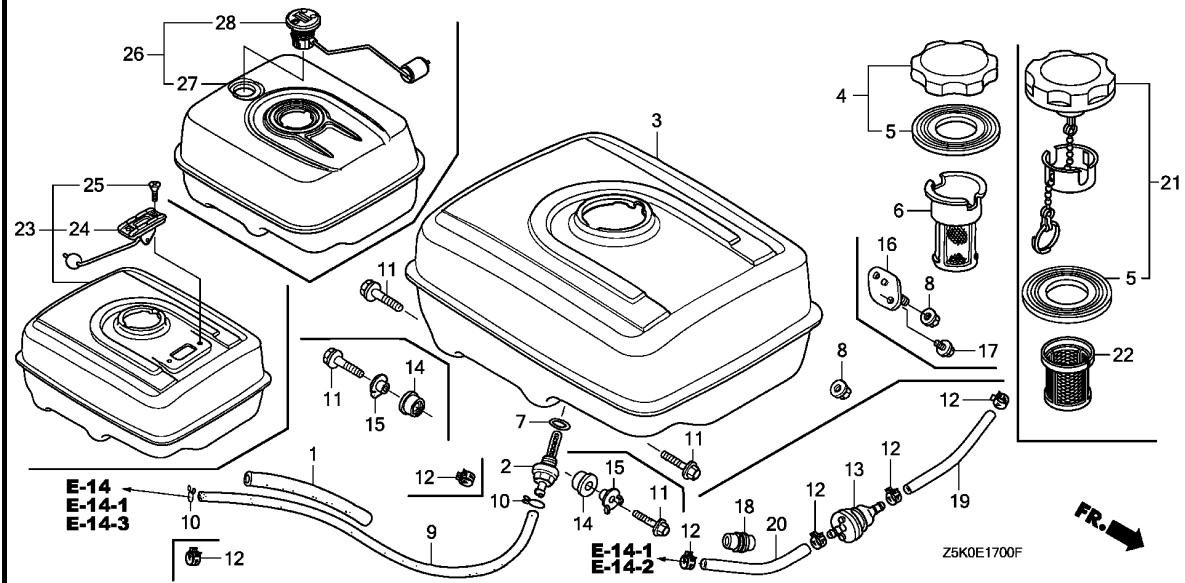
Ref. No.	Part No.	Description	Reqd. QTY				Serial No.	Parts catalogue code
			GX 270 UT	GX 270 RT	GX 270 UT2	GX 270 RT2		
4	17620-ZOT-813	CAP COMP., FUEL FILLER (CHROME PLATED) (RADICON)	1	-	-	-	1149269	LXE8,LXU,PXE8,PXU,QAG2,QA2,QA26,QHQ4,QH26,QSE8,QXB7,QXC9,QXE8,QXQ4,QXU,SHQ4,SXE8, SXQ4, SXU, VSD7, VXB7, VXB9, VXQ4, VXU1, VX2
5	17631-ZOT-801	PACKING, FUEL FILLER CAP (39X62X3) (RADICON)	1	-	-	-	1140618	HA2,HEA2,HEA8,HKS8,HXQ4,HX26,HX8,LXQ4,PAE2,PA2,PXED,PX26,QAE2,QAE6,QAQ4,QAR2,QAW,QA4,QE,QHB4,QKE4,QME2,QSC9,QWA4,QWH2,QXB2,QXB6,QXB9,QXCU,QXC2,QXC4,QXC6,QXE4,QXUZ,RA2,RHE2,RHE4,RHQ4,RH26,RXQ4,RXU,SMC2,SMC4,SME1,SME6,SWA2,SWA4,SWC4,SWS4, SXB7, SXB9, SXE4, VA2, VKQ4, VMA4, VME4, VSD9, VXE6, VXE7, VXE9
	17631-Z4H-800	PACKING, FUEL FILLER CAP (39X62X3)	1	-	-	-	1140619	LXE8,LXU,PXE8,PXU,QAG2,QA2,QA26,QHQ4,QH26,QSE8,QXB7,QXC9,QXE8,QXQ4,QXU,SHQ4,SXE8, SXQ4, SXU, VSD7, VXB7, VXB9, VXQ4, VXU1, VX2
	17631-ZOT-801	PACKING, FUEL FILLER CAP (39X62X3) (RADICON)	1	-	-	-	1172735	LXE8,LXU,PXE8,PXU,QAG2,QA2,QA26,QHQ4,QH26,QSE8,QXB7,QXC9,QXE8,QXQ4,QXU,SHQ4,SXE8, SXQ4, SXU, VSD7, VXB7, VXB9, VXQ4, VXU1, VX2
6	17672-ZE2-W01	FILTER, FUEL	1	-	-	-	1149269	QAG2,QA2,QA26
7	91353-671-004	O-RING, 14MM(NOK)	1	-	-	-		HA2,HEA2,HEA8,HKS8,HXQ4,HX26,HX8,LXE8,LXQ4,LXU,PAE2,PA2,PXED,PXE8,PXU,PX26,QAE2,QAE6,QAG2,QAQ4,QAR2,QAW,QA2,QA26,QA4,QE,QHB4,QHQ4,QH26,QKE4,QME2,QSC9,QSE8,QWA4,QWH2,QXB2,QXB6,QXB7,QXB9,QXCU,QXC2,QXC4,QXC6,QXC9,QXE4,QXE8,QXQ4,QXU,QXUZ,RA2,RHE2,RHE4,RHQ4,RH26,RXQ4,RXU,SHQ4,SMC2,SMC4,SME1,SME6,SWA2,SWA4,SWC4,SWS4,SXB7,SXB9,SXE4,SXE8, SXQ4, SXU, VA2, VKQ4, VMA4, VME4, VSD9, VSD9, VXB7, VXB9, VXE6, VXE7, VXE9, VXQ4, VXU1, VX2

Ref. No.	Part No.	Description	Reqd. QTY				Serial No.	Parts catalogue code
			GX 270 UT	GX 270 RT	GX 270 UT2	GX 270 RT2		
8	94050-08000	NUT, FLANGE, 8MM	2	-	-	-	HA2,HEA2,HEA8,HKS8,HXQ4,HX26,HX8,LXE8,LXQ4,LXU,PAE2,PA2,PXED PX8,PXU,PX26,QAE2,QAE6,QAG2,QAQ4,QR2,QAW,QA2,QA26,QA4,QE QHB4,QHQ4,QH26,QKE4,QME2,QSC9,QSE8,QWA4,QWH2,QXB2,QXB6,QXB7 QXB9,QXC4,QXC2,QXC4,QXC6,QXC9,QXE4,QXE8,QXQ4,QXU,QXUZ,RA2,RHE2 RHE4,RHQ4,RH26,RXQ4,RXU,SHQ4,SMC2,SMC4,SME1,SME6,SWA2,SWA4 SWC4,SWS4,SB7,SB9,SXE4,SXE8,SXQ4,SXU,VA2,VKQ4,VMA4,VME4,VSD7 VSD9,VXB7,VXB9,VXE6,VXE7,VXE9,VXQ4,VXU1,VX2	
9	91424-Z4J-821 95001-45222-40	TUBE, FUEL, 4.5X430(FKM) TUBE, FUEL, 4.5X222 (95001-45001-60M)	- 1	- 1	2 -	- -	VS37,VS39 LXE8,LXU,PXE8,PXU,QAG2,QA26,QSE8,QXE8,QXQ4,QXU,SXE8,SXQ4,SXU VXU1	
	91424-Z5F-801	TUBE, FUEL, 4.5X222(FKM)	1	-	-	-	PXED,QA2,QHB4,QHQ4,QH26,QXB7,QXC9,QXUZ,SHQ4,VN17,VSD7,VSH7 VXB7,VXB9,VXQ4,VX2	
	91424-Z5F-802	1	1	-	-	1015790 LXE8,LXU,PXE8,PXU,QAG2,QA26,QSE8,QXE8,QXQ4,QXU,SXE8,SXQ4,SXU VXU1	
	91424-Z5K-003	TUBE, FUEL, 4.5X210(FKM)	-	1	-	-	HA2,HEA2,HEA8,HKS8,HXQ4,HX26,HX8,LXQ4,PAE2,PA2,PX26,QAE2,QAE6 QAQ4,QR2,QAW,QA4,QE,QKE4,QME2,QSC9,QWA4,QWH2,QXB2,QXB6,QXB9 QXC4,QXC2,QXC4,QXC6,QXE4,RA2,RHE2,RHE4,RHQ4,RH26,RXQ4,RXU,SMC2 SMC4,SME1,SME6,SWA2,SWA4,SWC4,SWS4,SB7,SB9,SXE4,VAG2,VA2 VDE2,VKB2,VKQ4,VMA4,VME4,VNT2,VSD9,VWN2,VW12,VXE6,VXE7,VXE9 VN17,VSH7	
10	95002-02080	CLIP, TUBE (B8)	2	-	-	-	1015789 VDE2,VKB2,VNT2,VN17 LXE8,LXU,PXE8,PXU,QAG2,QA26,QSE8,QXE8,QXQ4,QXU,SXE8,SXQ4,SXU VXU1	
11	95701-08025-00	BOLT, FLANGE, 8X25	2	-	-	-	HA2,HEA2,HEA8,HKS8,HXQ4,HX26,HX8,LXE8,LXQ4,LXU,PAE2,PA2,PXED PX8,PXU,PX26,QAE2,QAE6,QAG2,QAQ4,QR2,QAW,QA2,QA26,QA4,QE QHB4,QHQ4,QH26,QKE4,QME2,QSC9,QSE8,QWA4,QWH2,QXB2,QXB6,QXB7 QXB9,QXC4,QXC2,QXC4,QXC6,QXC9,QXE4,QXE8,QXQ4,QXU,QXUZ,RA2,RHE2 RHE4,RHQ4,RH26,RXQ4,RXU,SHQ4,SMC2,SMC4,SME1,SME6,SWA2,SWA4 SWC4,SWS4,SB7,SB9,SXE4,SXE8,SXQ4,SXU,VA2,VKQ4,VMA4,VME4,VSD7 VSD9,VXB7,VXB9,VXE6,VXE7,VXE9,VXQ4,VXU1,VX2	
12	95002-40800-08	CLAMP, TUBE (D8)	- 2	- 2	2 -	- 2	HA2,HEA2,HEA8,HKS8,HXQ4,HX26,HX8,LXQ4,PAE2,PA2,PXED,PX26,QAE2 QAE6,QAQ4,QR2,QAW,QA2,QA4,QE,QHB4,QHQ4,QH26,QKE4,QME2,QSC9 QWA4,QWH2,QXB2,QXB6,QXB7,QXB9,QXC4,QXC2,QXC4,QXC6,QXC9,QXE4 QXUZ,RA2,RHE2,RHE4,RHQ4,RH26,RXQ4,RXU,SHQ4,SMC2,SMC4,SME1,SME6 SWA2,SWA4,SWC4,SWS4,SB7,SB9,SXE4,VAG2,VA2,VDE2,VKB2,VKQ4 VMA4,VME4,VNT2,VN17,VSD7,VSD9,VSH7,VS37,VS39,VWN2,VW12,VXB7 VXB9,VXE6,VXE7,VXE9,VXQ4,VX2	
	13 16910-GB2-005	STRAINER COMP., FUEL	1	1	-	-	1015790 LXE8,LXU,PXE8,PXU,QAG2,QA26,QSE8,QXE8,QXQ4,QXU,SXE8,SXQ4,SXU VXU1	
	14 17532-ZK6-880	RUBBER A, TANK MOUNTING	4	4	-	-	VKE4,VKX4,VPE2,VPE4,VPE5,VPX4,VPX5,VPX9	
	14 17532-ZK6-881	-	-	2	-	VXB9	
	15 17534-ZK6-880	NUT, TANK MOUNTING	2	-	-	-	VSD9,VXE9	
	15 17534-ZK6-881	2	-	-	-	VXB9	
	16 17536-ZK6-880	RUBBER COMP., TANK MOUNTING ..	2	-	-	-	VSD9,VXB9,VXE9	
	17 90008-ZE2-003	BOLT, FLANGE, 6X10	4	-	-	-	VSD9,VXB9,VXE9	
	18 90854-ZB3-000	RUBBER, FUEL (9X15X20)	1	1	-	-	VKE4,VKX4,VPE2,VPE4,VPE5,VPX4,VPX5,VPX9	
	19 91424-Z4J-801	TUBE, FUEL, 4.5X150(FKM)	1	1	-	-	VKX4,VPX4,VPX5,VPX9	
	19 91424-Z4J-802	-	1	-	-	VKE4,VPE2,VPE4,VPE5	
	20 91424-Z5J-801	TUBE, FUEL, 4.5X120(FKM)	1	1	-	-	VKX4,VPX4,VPX5,VPX9	



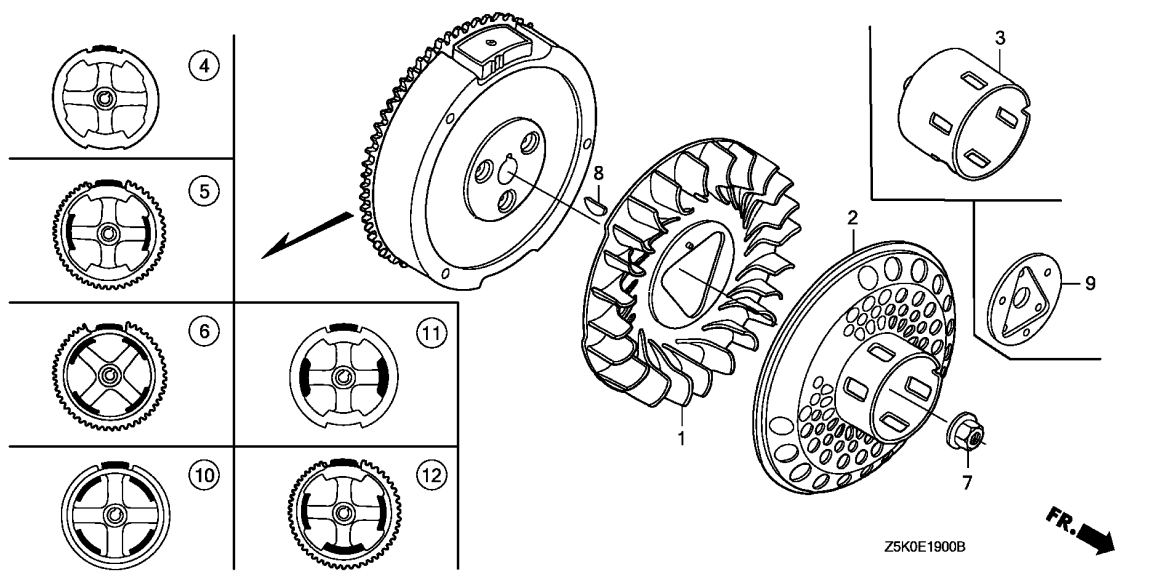


Ref. No.	Part No.	Description	Reqd. QTY				Serial No.	Parts catalogue code
			GX 270 UT	GX 270 RT	GX 270 UT2	GX 270 RT2		
20)	91424-Z5J-802	TUBE, FUEL, 4.5X120(FKM)	-	1	-	-	VKE4,VPE2,VPE4,VPE5	
21	17620-Z4H-000	CAP COMP., FUEL FILLER	1	-	-	1149270 1172734	LXE8,LXU,PXE8,PXU,QAG2,QA2,QA26,QHQ4,QH26,QSE8,QXB7,QXC9,QXE8,QXQ4,QXU,SHQ4,SXE8,SXQ4,SXU,VSD7,VXB7,VXB9,VXQ4,VXU1,VX2	
	17620-Z4H-020	1	-	-	1172735	HA2,HEA2,HEA8,HKS8,HXQ4,HX26,HX8,LXQ4,PAE2,PA2,PXED,PX26,QAE2,QAE6,QAQ4,QAR2,QAW,QA4,QE,QHB4,QKE4,QME2,QSC9,QWA4,QWH2,QXB2,QXB6,QXB9,QXCU,QXC2,QXC4,QXC6,QXE4,QXUZ,RA2,RHE2,RHE4,RHQ4,RH26,RXQ4,RXU,SMC2,SMC4,SME1,SME6,SWA2,SWA4,SWC4,SWS4,SBX7,SBX9,SXE4,VA2,VKQ4,VMA4,VME4,VSD9,VXE6,VXE7,VXE9	
			1	-	-	1172735	LXE8,LXU,PXE8,PXU,QAG2,QA2,QA26,QHQ4,QH26,QSE8,QXB7,QXC9,QXE8,QXQ4,QXU,SHQ4,SXE8,SXQ4,SXU,VSD7,VXB7,VXB9,VXQ4,VXU1,VX2	
22	17672-Z4H-000	FILTER, FUEL	1	-	1	1149270	HA2,HEA2,HEA8,HKS8,PAE2,PA2,QAE2,QAE6,QAQ4,QAR2,QAW,QA4,QE,QKE4,QME2,QSC9,QZA2,RA2,SMC2,SMC4,VA2,VKQ4	
			1	-	-	1149270	QAG2,QA2,QA26	
			-	-	1		QAG2,QA2,QA26	
23	17500-ZE2-813ZA	TANK ASSY., FUEL (GAUGE) *NH31*.....MCKINLEY WHITE	1	-	-		QKE4,QSC9	
	17500-ZE2-813ZC	*NH1*.....BLACK	1	-	-		VKQ4	
24	17505-ZE2-013	GAUGE ASSY., FUEL	1	-	-		QKE4,QSC9,VKQ4	
25	93600-05010-0A	SCREW, FLAT, 5X10	2	-	-		QKE4,QSC9,VKQ4	
26	17500-Z5K-810ZA	TANK ASSY., FUEL (GAUGE) *NH1*.....BLACK	-	-	1		VKQ4	
	17500-Z5K-810ZB	*NH31*.....MCKINLEY WHITE	-	-	1		QKE4	
27	17510-Z5K-000ZA	TANK COMP., FUEL *NH1*.....BLACK	-	-	1		HA2,PA2,QAE2,QAQ4,QAR2,QA2,QA4,QZA2,QZX4,RA2,SWC4,VA2,VSD7,VXE7,VZX7	



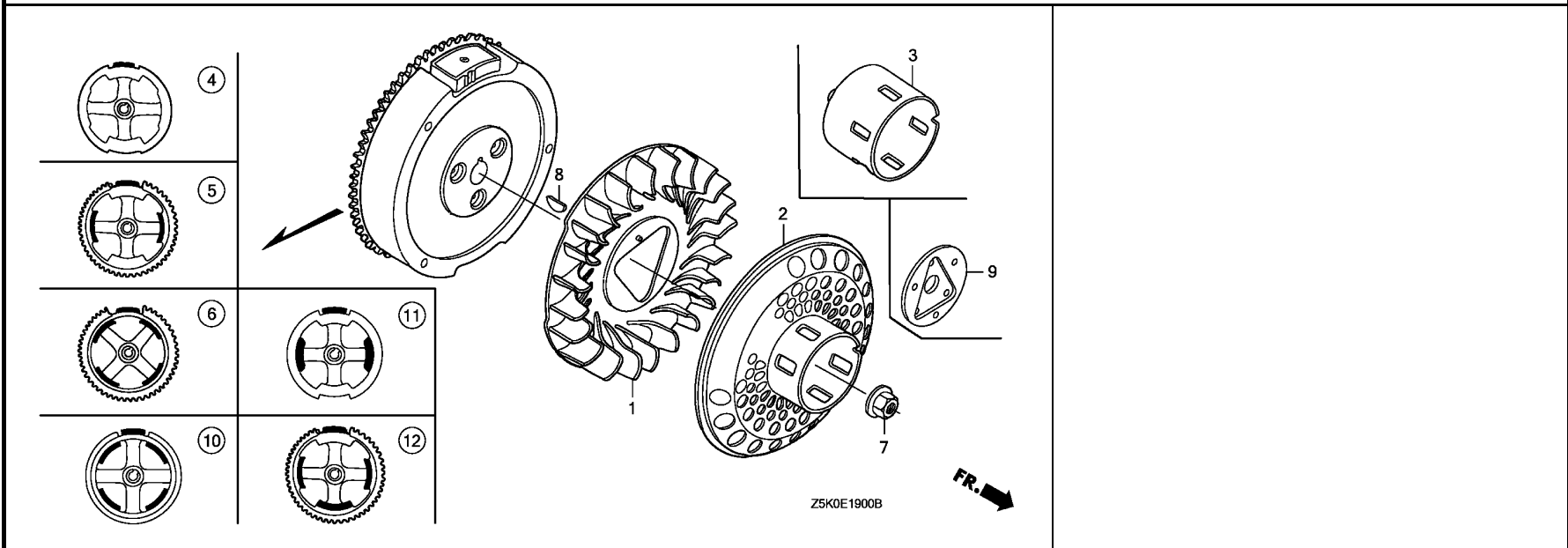
Ref. No.	Part No.	Description	Reqd. QTY				Serial No.	Parts catalogue code
			GX 270	GX 270	GX 270	GX 270		
27)	17510-Z5K-000ZB	TANK COMP., FUEL *NH31*.....MCKINLEY WHITE	-	-	1	-	HA2,HEA2,HKS8,HX26,LXU,PAE2,PA2,QAE2,QAG2,QAQ4,QAR2,QAW,QA26 QE,QHB4,QHQ4,QH26,QME2,QXB7,QXB9,QXE4,QXE8,QXQ4,QXUZ,QZA2,QZX4 RA2,RHE4,RHQ4,RH26,SHQ4,SMC4,SWA4,SWC4, SXB7, SXE4, SXQ4, SXU,VA2 VSD7,VXB7,VXE7,VXU1,VZX7	
28	17630-Z5K-003	GAUGE ASSY., FUEL	-	-	1	-	QKE4,VKQ4	





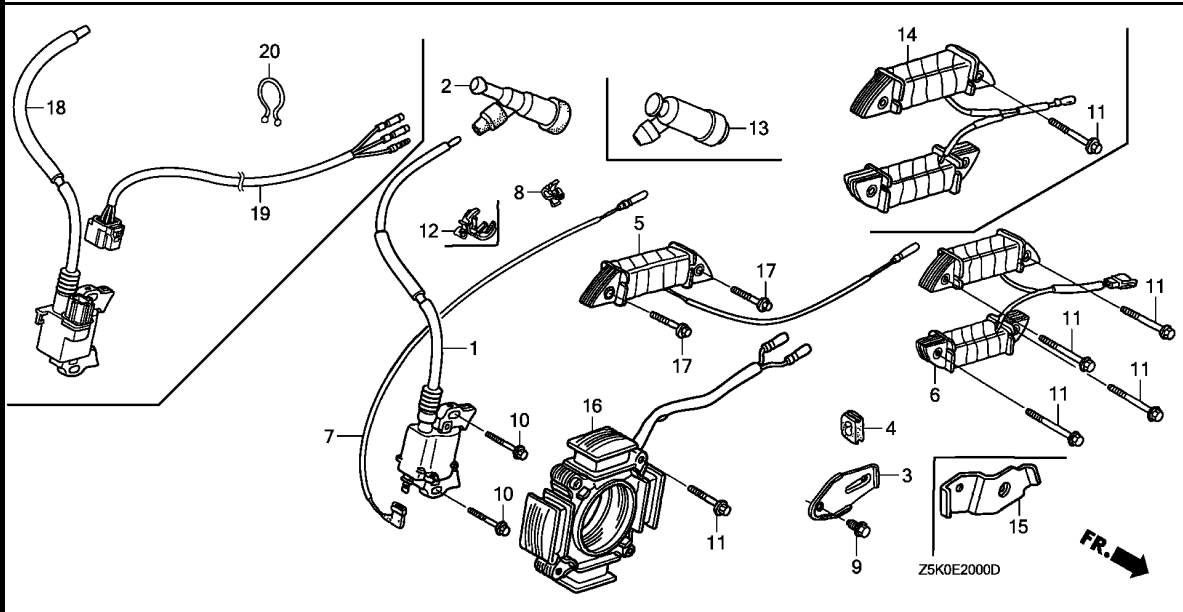
Ref. No.	L.O.N.	(Relative ref. Number) Description	F.R.T.
1	1141G7	FAN, ENGINE COOLING	0.2
	1141G7D	.iGX type add	0.2
2		(3)	
	1121A9	PULLEY, RECOIL STARTER	0.2
	1121A9C	.iGX type add	0.2
4		(5,6,10,11,12)	
	2161B5	FLYWHEEL	0.3
	2161B5D	.iGX type add	0.2

Ref. No.	Part No.	Description	Reqd. QTY				Serial No.	Parts catalogue code
			GX 270 UT	GX 270 RT	GX 270 UT2	GX 270 RT2		
1	19511-ZE2-000	FAN, COOLING	1	1	1	1		
2	28450-ZE2-W11	PULLEY COMP., STARTER (SCREEN)	1	1	1	1	HA2,HEA2,HEA8,HKS8,HXQ4,HX26,HX8,LXE8,LXQ4,LXU,PAE2,PA2,PXED,PXE8,PXU,PX26,QAE2,QAE6,QAQ4,QAR2,QAW,QA2,QA26,QA4,QE,QHB4,QHQ4,QH26,QME2,QSC9,QSE8,QWH2,QXB2,QXB6,QXB7,QXB9,QXCU,QXC2,QXC4,QXC6,QXC9,QXE4,QXE8,QXQ4,QXU,QXUZ,QZA2,QZX4,RA2,RHE2,RHE4,RHG4,RHQ4,RH26,RSC2,RXQ4,RXU,SHQ4,SME1,SME6,SWA2,SWA4,SWC4,SWS4,SXB7,SXB9,SXE4,SXE8,SXQ4,SXU,VA2,VDE2,VKB2,VKE4,VKQ4,VKX4,VN17,VPE2,VPE4,VPE5,VPX4,VPX5,VPX9,VSD7,VSD9,VSH7,VS37,VS39,VWA2,VWN2,VWT4,VXB7,VXB9,VXE6,VXE7,VXE9,VXQ4,VXU1,VX2,VZX7	
3	28451-ZE2-W01	PULLEY, STARTER	1	1	1	1	QAG2,QWA4,SMC2,SMC4,VAG2,VMA4,VME4,VNT2,VW12	
4	31100-ZE2-010	FLYWHEEL COMP.	1	1	-	-	HA2,HXQ4,HX26,HX8,LXQ4,LXU,PA2,PXU,PX26,QAG2,QAQ4,QAW,QA2,QA26,QA4,QE,QHB4,QHQ4,QH26,QWA4,QWH2,QXB2,QXB7,QXB9,QXCU,QXC2,QXC4,QXC6,QXC9,QXQ4,QXU,QXUZ,RA2,RHG4,RHQ4,RH26,RXQ4,RXU,SHQ4,SWA2,SWA4,SWC4,SWS4,SXB7,SXB9,SXQ4,SXU,VAG2,VA2,VKX4,VMA4,VNT2,VN17,VPX4,VPX5,VPX9,VSD7,VSD9,VSH7,VS37,VS39,VWA2,VWN2,VW12,VXB7,VXB9,VXQ4,VXU1,VX2	
	31110-Z5K-000	-	-	1	1	HA2,HX26,LXU,PA2,QAG2,QAQ4,QAW,QA2,QA26,QA4,QE,QHB4,QHQ4,QH26,QXB7,QXB9,QXQ4,QXUZ,RA2,RHQ4,RH26,SHQ4,SWA4,SWC4,SXB7,SXQ4,SXU,VA2,VNT2,VN17,VSD7,VXB7,VXU1	
5	31100-ZE2-822	FLYWHEEL COMP. (STARTER MOTOR)	1	1	-	-	LXE8,PXED,PXE8,QXE4,QXE8,RHE2,RHE4,SXE4,SXE8,VME4,VPE2,VPE4,VPE5,VWT4,VXE6,VXE7,VXE9	
	31110-Z5K-820	-	-	1	1	QXE4,QXE8,RHE4,SXE4,VWT4,VXE7	
6	31100-ZE2-832	FLYWHEEL COMP. (4POLE)	1	1	-	-	HEA2,HEA8,HKS8,PAE2,QAE2,QAE6,QKE4,QME2,QSC9,QSE8,QXB6,SME1,SME6,VDE2,VKB2,VKE4	
	31110-Z5K-840	FLYWHEEL COMP. (SEL-4POLE) ..	-	-	1	1	HEA2,HKS8,PAE2,QAE2,QKE4,QME2,VDE2,VKB2	
7	90201-ZE3-V00	NUT, SPECIAL, 16MM	1	-	-	-	LXE8,LXU,PXE8,PXU,QAG2,QA2,QA26,QHQ4,QH26,QSE8,QXB7,QXC9,QXE8,QXQ4,QXU,SHQ4,SXE8,SXQ4,SXU,VXU1	



Ref. No.	Part No.	Description	Reqd. QTY				Serial No.	Parts catalogue code
			GX 270	GX 270	GX 270	GX 270		
(7)	90201-ZE3-790	NUT, SPECIAL, 16MM	1	-	-	-	HA2,HEA2,HEA8,HKS8,HXQ4,HX26,HX8,LXQ4,PAE2,PA2,PXED,PX26,QAE2,QAE6,QAQ4,QAR2,QAW,QA4,QE,QHB4,QKE4,QME2,QSC9,QWA4,QWH2,QXB2,QXB6,QXB9,QXCU,QXC2,QXC4,QXC6,QXE4,QXUZ,RA2,RHE2,RHE4,RHG4,RHQ4,RH26,RXQ4,RXU,SMC2,SMC4,SME1,SME6,SWA2,SWA4,SWC4,SWS4,SXB7,SXB9,SXE4,VA2,VKQ4,VKX4,VMA4,VME4,VN17,VPX4,VPX5,VPX9,VSD7,VSD9,VSH7,VS37,VS39,VWA2,VXB7,VXB9,VXE6,VXE7,VXE9,VXQ4,VX2	
8	90741-ZE2-000	KEY, SPECIAL WOODRUFF, 25X18	-	1	1	1		
9	19512-ZE2-000	PLATE, COOLING FAN SETTING ..	1	-	1	-	QKE4	
10	31100-ZE2-W01	FLYWHEEL COMP. (18A)	1	-	-	-	QAR2	
	31110-Z5K-850	-	-	1	-	QAR2	
11	31100-ZE2-812	FLYWHEEL COMP. (LAMP)	1	1	-	-	RSC2,SMC2,SMC4,VKQ4	
	31110-Z5K-810	-	-	1	1	RSC2,SMC4,VKQ4	
12	31110-Z5K-W00	FLYWHEEL COMP. (SEL)	-	-	1	-	QZA2,QZX4,VZX7	





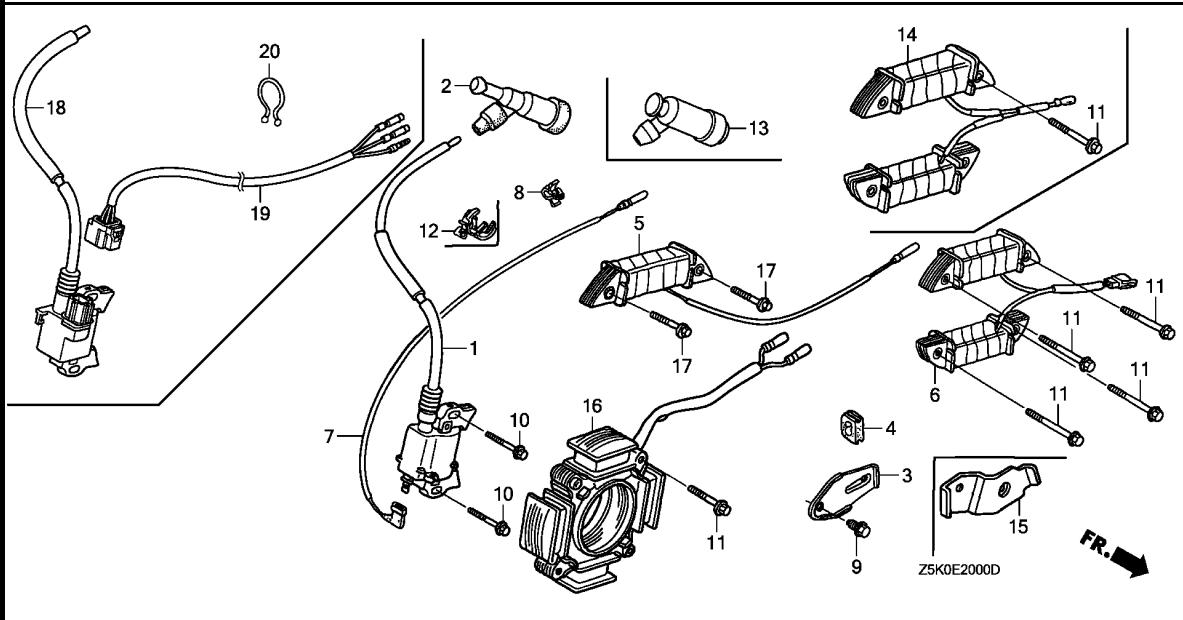
Ref. No.	L.O.N.	(Relative ref. Number) Description	F.R.T.
1		(18)	
1	6141A5	COIL, IGNITION(ONE)	0.3
2		(13)	
2	6141B8	TERMINAL, HIGH TENSION	0.1
5		(6,16)	
5	6131C3	COIL, CHARGE	0.4
7	6111B3	CORD, STOP SWITCH	0.3
14	6141A6	COIL, LAMP	0.4



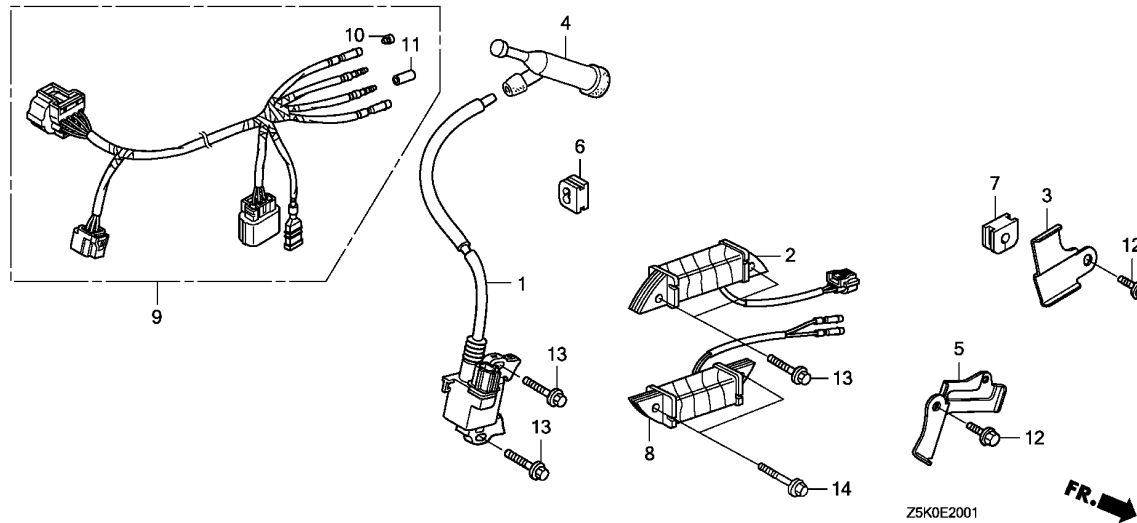
Ref. No.	Part No.	Description	Reqd. QTY				Serial No.	Parts catalogue code
			GX 270 UT	GX 270 RT	GX 270 UT2	GX 270 RT2		
1	30500-Z1C-013	COIL ASSY., IGNITION	1	-	-	-	1054631	LXE8,LXU,PXE8,PXU,QAG2,QA2,QA26,QHQ4,QH26,QSE8,QXB7,QXC9,QXE8,QXQ4,QXU,SHQ4,SXE8, SXQ4,SXU,VXU1
	30500-Z1C-023	1	-	-	-		HA2,HEA2,HEA8,HKS8,HXQ4,HX26,HX8,LXQ4,PAE2,PA2,PXED,PX26,QAE2,QAE6,QAQ4,QAR2,QAW,QA4,QE,QHB4,QKE4,QME2,QSC9,QWA4,QWH2,QXB2,QXB6,QXB9,QXCU,QXC2,QXC4,QXC6,QXE4,QXUZ,RA2,RHE2,RHE4,RHG4,RHQ4,RH26,RXQ4,RXU,SMC2,SMC4,SME1,SME6,SWA2,SWA4,SWC4,SWS4, SXB7,SXB9,SXE4,VA2,VKQ4,VKX4,VMA4,VME4,VN17,VPX4,VPX5,VPX9,VSD7,VSD9,VSH7,VS37,VS39,VWA2,VXB7,VXB9,VXE6,VXE7,VXE9,VXQ4,VX2
			1	-	-	-	1054632	LXE8,LXU,PXE8,PXU,QAG2,QA2,QA26,QHQ4,QH26,QSE8,QXB7,QXC9,QXE8,QXQ4,QXU,SHQ4,SXE8, SXQ4,SXU,VXU1
2	30700-Z1C-811	CAP ASSY., NOISE SUPPRESSOR (NGK Y-EZD)	-	1	-	-		
			1	1	1	-		HA2,HEA2,HEA8,HKS8,HXQ4,HX26,HX8,LXE8,LXQ4,LXU,PAE2,PA2,PXED,PXE8,PXU,PX26,QAE2,QAE6,QAG2,QAQ4,QAR2,QAW,QA2,QA26,QA4,QE,QHB4,QHQ4,QH26,QKE4,QME2,QSC9,QSE8,QWA4,QWH2,QXB2,QXB6,QXB7,QXB9,QXCU,QXC2,QXC4,QXC6,QXC9,QXE4,QXE8,QXQ4,QXU,QXUZ,RA2,RHE2,RHE4,RHG4,RHQ4,RH26,RSC2,RXQ4,RXU,SHQ4,SMC2,SMC4,SME1,SME6,SWA2,SWA4,SWC4,SWS4,SXB7,SXB9,SXE4,SXE8, SXQ4,SXU,VAG2,VA2,VDE2,VKB2,VKQ4,VMA4,VME4,VNT2,VN17,VSD7,VSD9,VSH7,VWA2,VWN2,VWT4,VW12,VXB7,VXB9,VXE6,VXE7,VXE9,VXQ4,VXU1,VX2
3	31511-ZE2-000	CLAMPER, CORD	-	-	-	1		
			1	1	1	1		HEA2,HEA8,HKS8,LXE8,PAE2,PXED,PXE8,QAE2,QAE6,QKE4,QME2,QSC9,QSE8,QXB6,QXE4,RHE2,RHE4,RSC2,SMC2,SMC4,SME1,SME6,SXE4,SXE8,VDE2,VKB2,VKE4,VKQ4,VME4,VPE2,VPE4,VPE5,VXE6,VXE7,VXE9
			1	-	-	-		QXE8

Ref. No.	Part No.	Description	Reqd. QTY				Serial No.	Parts catalogue code
			GX 270 UT	GX 270 RT	GX 270 UT2	GX 270 RT2		
4	31512-ZE2-000	GROMMET, CORD	1	-	1	-	HA2,HEA2,HEA8,HKS8,HXQ4,HX26,HX8,LXE8,LXQ4,LXU,PAE2,PA2,PXED PX8,PXU,PX26,QAE2,QAE6,QAG2,QAQ4,QAR2,QAW,QA2,QA26,QA4,QE QHB4,QHQ4,QH26,QKE4,QME2,QSC9,QSE8,QWA4,QWH2,QXB2,QXB6,QXB7 QXB9,QXCU,QXC2,QXC4,QXC6,QXC9,QXE4,QXE8,QXQ4,QXU,QXUZ,RA2,RHE2 RHE4,RHG4,RHQ4,RH26,RXQ4,RXU,SHQ4,SME1,SME6,SWA2,SWA4,SWC4 SWS4,SXB7,SXB9,SXE4,SXE8,SXQ4,SXU,VA2,VKQ4,VKX4,VMA4,VME4,VN17 VPX4,VPX5,VPX9,VSD7,VSD9,VSH7,VS37,VS39,VWA2,VXB7,VXB9,VXE6 VXE7,VXE9,VXQ4,VXU1,VX2	
			-	1	-	1		
5	31630-ZE1-013	COIL ASSY., CHARGE (1A)	1	1	1	-	SMC4 LXE8,PXED,PXE8,QXE4,RHE2,RHE4,SXE4,SXE8,VME4,VPE2,VPE4,VPE5 VXE6,VXE7,VXE9	
	31630-ZE2-842	COIL ASSY., CHARGE (3A)	1	-	-	-	QXE8	
	31510-ZE2-H91	COIL ASSY., LAMP (12V/25W) ..	1	-	-	-	HEA2,HEA8,HKS8,PAE2,QAE2,QAE6,VDE2,VKB2,VKE4 VKQ4	
6	31630-ZE2-861	COIL ASSY., CHARGE (10A)	1	-	1	-	QKE4,QME2,QSC9,QSE8,QXB6,SME1,SME6	
7	36101-ZE1-010	CORD, STOP SWITCH (370MM) ...	1	1	-	-		
8	36103-ZE1-000	HOLDER, STOP SWITCH CORD	1	1	1	1	HEA2,HEA8,HKS8,LXE8,PAE2,PXED,PXE8,QAE2,QAE6,QME2,QSC9,QSE8 QXB6,QXE4,QXE8,RHE2,RHE4,RHG4,SME1,SXE4,SXE8,VDE2,VKB2,VXE6 VXE7,VXE9	
			1	-	-	-	QE,QHB4,QHQ4,QH26,RHQ4,RH26,SHQ4,VKQ4	
9	90013-883-000	BOLT, FLANGE, 6X12(CT200) ...	1	1	1	1	HEA2,HEA8,HKS8,LXE8,PAE2,PXED,PXE8,QAE2,QAE6,QKE4,QME2,QSC9 QSE8,QXB6,QXE4,RHE2,RHE4,RSC2,SMC2,SMC4,SME1,SME6,SXE4,SXE8 VDE2,VKB2,VKE4,VKQ4,VME4,VPE2,VPE4,VPE5,VXE6,VXE7,VXE9 QXE8	
10	90015-883-000	BOLT, FLANGE, 6X28(CT200) ...	1	-	-	-		
			2	2	-	2		
			-	-	2	-	HA2,HEA2,HKS8,HX26,LXU,PAE2,PA2,QAE2,QAG2,QAQ4,QAR2,QAW,QA2 QA26,QA4,QE,QHB4,QHQ4,QH26,QKE4,QME2,QXB7,QXB9,QXE4,QXE8,QXQ4 QXUZ,RA2,RHE4,RHQ4,RH26,SHQ4,SMC4,SWA4,SWC4,SXB7,SXE4,SXQ4,SXU VA2,VKQ4,VSD7,VXB7,VXE7,VXU1	
11	90017-883-000	BOLT, FLANGE, 6X32(CT200) ...	4	-	4	-	QAR2,QKE4,QME2,QSC9,QSE8,QXB6,SME1,SME6	
	90015-883-000	BOLT, FLANGE, 6X28(CT200) ...	4	4	4	4	RSC2,SMC2,SMC4	
			-	-	4	-	VKQ4	
12	90684-ZA0-601	CLIP, HARNESS	1	1	1	1	HA2,HXQ4,HX26,HX8,LXQ4,LXU,PA2,PXU,PX26,QAG2,QAQ4,QAR2,QAW,QA2 QA26,QA4,QWA4,QWH2,QXB2,QXB7,QXB9,QXCU,QXC2,QXC4,QXC6,QXC9 QXQ4,QXU,QXUZ,RA2,RSC2,RXQ4,RXU,SMC2,SMC4,SME6,SWA2,SWA4,SWC4 SWS4,SXB7,SXB9,SXQ4,SXU,VAG2,VA2,VKX4,VMA4,VNT2,VN17,VPX4,VPX5 VPX9,VSD7,VSD9,VSH7,VS37,VS39,VWA2,VWN2,VW12,VXB7,VXB9,VXQ4 VXU1,VX2	
			-	-	1	-	QE,QHB4,QHQ4,QH26,RHQ4,RH26,SHQ4,VKQ4	
13	30700-ZF5-013	CAP ASSY., NOISE SUPPRESSOR ..	1	1	-	-	VKE4,VKX4,VPE2,VPE4,VPE5,VPX4,VPX5,VPX9,VS37,VS39	
14	31510-ZE2-811	COIL ASSY., LAMP (12V/50W) ..	1	1	1	1	RSC2,SMC2,SMC4	
			-	-	1	-	VKQ4	
15	31511-ZE2-W00	CLAMPER, CORD	1	-	1	-	QAR2	
16	31630-ZE2-W01	COIL ASSY., CHARGE (12V/18A)	1	-	1	-	QAR2	
17	90015-883-000	BOLT, FLANGE, 6X28(CT200) ...	2	2	2	-	LXE8,PXED,PXE8,QXE4,RHE2,RHE4,SXE4,SXE8,VME4,VPE2,VPE4,VPE5 VXE6,VXE7,VXE9	
			2	-	-	-	QXE8,VKQ4	
	90017-883-000	BOLT, FLANGE, 6X32(CT200) ...	2	2	2	2	HEA2,HEA8,HKS8,PAE2,QAE2,QAE6,VDE2,VKB2,VKE4	
18	30500-Z5K-003	COIL ASSY., IGNITION	-	-	1	-	HA2,HEA2,HKS8,HX26,LXU,PAE2,PA2,QAE2,QAG2,QAQ4,QAR2,QAW,QA2 QA26,QA4,QE,QHB4,QHQ4,QH26,QKE4,QME2,QXB7,QXB9,QXE4,QXE8,QXQ4 QXUZ,RA2,RHE4,RHQ4,RH26,SHQ4,SMC4,SWA4,SWC4,SXB7,SXE4,SXQ4,SXU VA2,VKQ4,VSD7,VXB7,VXE7,VXU1	
			-	-	-	1		





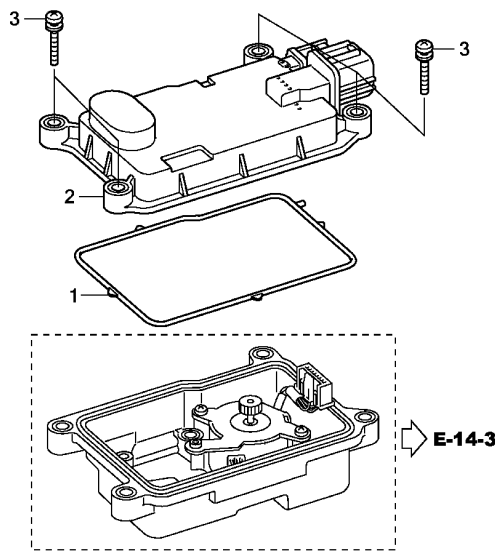
Ref. No.	Part No.	Description	Reqd. QTY				Serial No.	Parts catalogue code
			GX 270	GX 270	GX 270	GX 270		
19	32110-Z5K-000	HARNESS ASSY., ENGINE WIRE ..	-	-	1	1	-----	HA2,HX26,LXU,PA2,QAG2,QAQ4,QAR2,QAW,QA2,QA26,QA4,QXB7,QXB9 QXQ4,QXUZ,RA2,RSC2,SMC4,SWA4,SWC4,SXB7,SXQ4,SXU,VA2,VNT2,VN17 VSD7,VXB7,VXU1
	32110-Z5K-800	-	-	1	-	-----	QE,QHB4,QHQ4,QH26,RHQ4,RH26,SHQ4,VKQ4
	32110-Z5K-810	HARNESS ASSY., ENGINE WIRE (SEL)	-	-	1	1	-----	HEA2,HKS8,PAE2,QAE2,QKE4,QME2,QXE4,SXE4,VDE2,VKB2,VWT4,VXE7
	32110-Z5K-820	-	-	1	-	-----	QXE8,RHE4
20	90630-751-000	CLIP, PURSE LOCK	-	-	1	1	-----	QKE4,VWT4



Ref. No.	L.O.N.	(Relative ref. Number) Description	F.R.T.
1	6141D2	COIL, IGNITION(A)	0.5
2	6141A9	COIL, POWER	0.7
4	6141B8	TERMINAL, HIGH TENSION	0.1
8	6131F3	COIL, CHARGE(A)	0.7
9	6111C0	HARNESS, ENGINE WIRE	0.4
.INCLUDES: Diagnosing time			

Ref. No.	Part No.	Description	Reqd. QTY				Serial No.	Parts catalogue code
			GX 270 UT	GX 270 RT	GX 270 UT2	GX 270 RT2		
1	30500-Z5K-003	COIL ASSY., IGNITION	-	-	1	-	----- QZA2,QZX4,VZX7	
2	30595-Z5T-W01	COIL ASSY., POWER	-	-	1	-	----- QZA2,QZX4,VZX7	
3	30596-Z5T-W00	BRACKET B, HARNESS	-	-	1	-	----- QZA2,QZX4,VZX7	
4	30700-Z1C-811	CAP ASSY., NOISE SUPPRESSOR (NGK Y-EZD)	-	-	1	-	----- QZA2,QZX4,VZX7	
5	31511-Z5T-W00	CLAMPER, CORD	-	-	1	-	----- QZA2,QZX4,VZX7	
6	31512-ZE2-000	GROMMET, CORD	-	-	1	-	----- QZA2,QZX4,VZX7	
7	31512-Z5T-W00	GROMMET, CORD	-	-	1	-	----- QZA2,QZX4,VZX7	
8	31630-Z5T-W01	COIL ASSY., CHARGE (0.9A)	-	-	1	-	----- QZX4,VZX7	
	31630-Z5T-W11	COIL ASSY., CHARGE (2.9A)	-	-	1	-	----- QZA2	
9	32110-Z5K-W00	HARNESS ASSY., ENGINE WIRE ..	-	-	1	-	----- QZA2,QZX4,VZX7	
10	32823-ZV5-003	PLUG, INNER CONNECTOR	-	-	1	-	----- QZA2,QZX4,VZX7	
11	32824-ZV5-003	PLUG, OUTER CONNECTOR	-	-	1	-	----- QZA2,QZX4,VZX7	
12	90013-883-000	BOLT, FLANGE, 6X12(CT200)	-	-	2	-	----- QZA2,QZX4,VZX7	
13	90015-883-000	BOLT, FLANGE, 6X28(CT200)	-	-	4	-	----- QZA2,QZX4,VZX7	
14	90017-883-000	BOLT, FLANGE, 6X32(CT200)	-	-	2	-	----- QZA2	
	90121-952-000	BOLT, FLANGE, 6X25(CT200)	-	-	2	-	----- QZX4,VZX7	

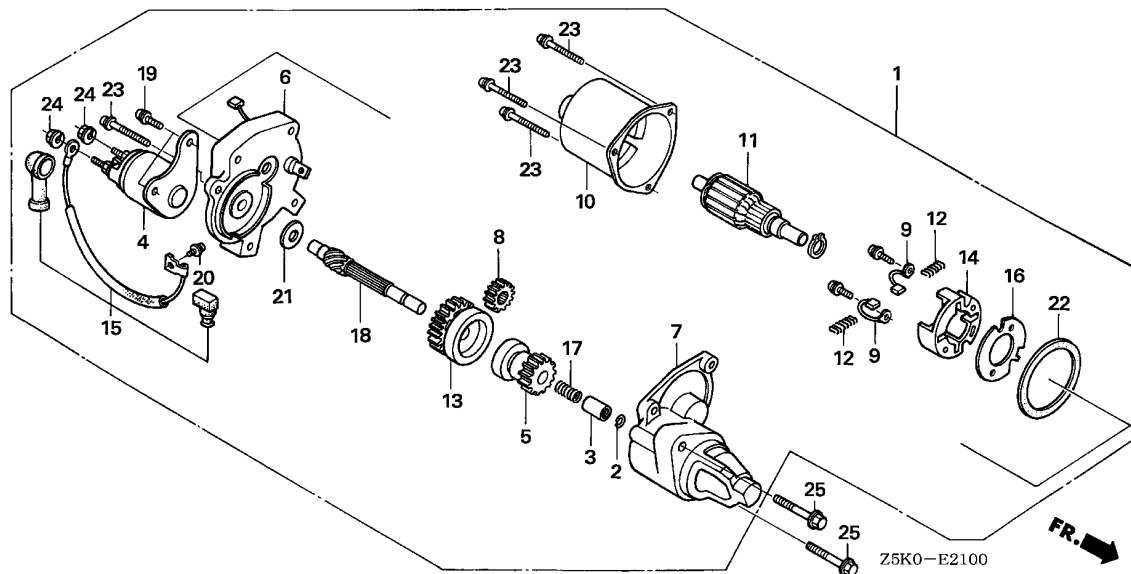




Ref. No.	L.O.N.	(Relative ref. Number) Description	F.R.T.
1	3111W6	SEAL, ELECTRONIC CONTROL UNIT COVER	0.3
2	6211A6	CONTROL UNIT, ELECTRONIC	0.6

2

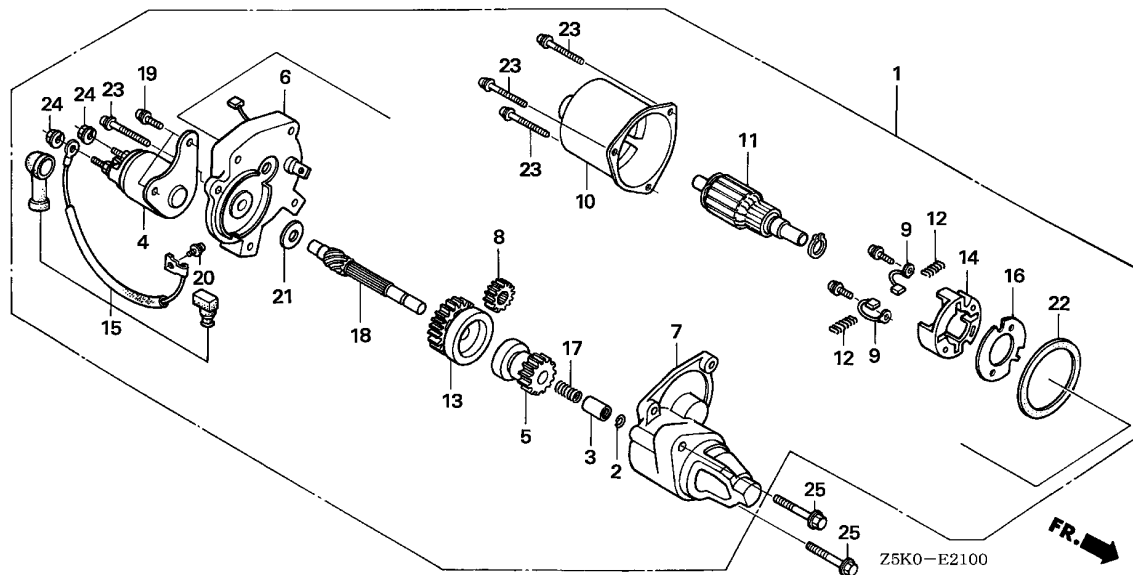
Ref. No.	Part No.	Description	Reqd. QTY				Serial No.	Parts catalogue code
			GX 270 UT	GX 270 RT	GX 270 UT2	GX 270 RT2		
1	16755-Z5T-W00	SEAL, ELECTRONIC CONTROL UNIT COVER	-	-	1	-	----- QZA2, QZX4, VZX7	
2	34750-Z5T-W21	CONTROL UNIT, ELECTRONIC	-	-	1	-	----- VZX7	
	34750-Z5T-W61	-	-	1	-	----- QZA2, QZX4	
3	93891-04020-07	SCREW-WASHER, 4X20	-	-	4	-	----- QZA2, QZX4, VZX7	



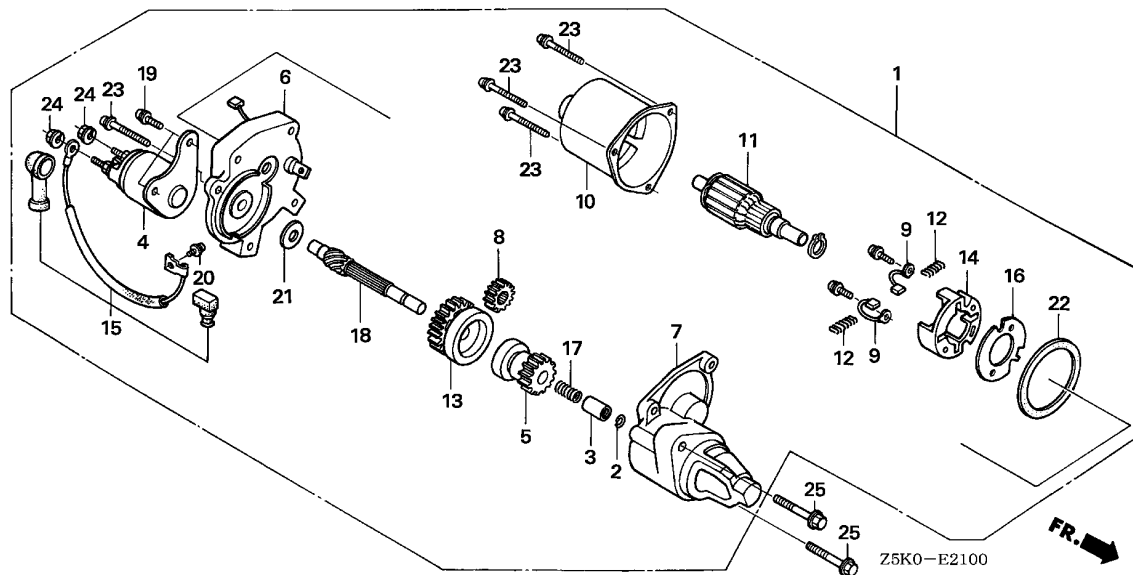
Ref. No.	L.O.N.	(Relative ref. Number) Description	F.R.T.
1	6121D5	MOTOR, STARTER	0.2
4	6121E5	CONTACTOR, STARTER	0.2
5		(18)	
	6121B0	CLUTCH, OVERRUNNING	0.4
6	6121C3	BRACKET, STARTER :CENTER	0.4
7	6121D2	BRACKET, STARTER :FRONT	0.3
9	6121A9	BRUSH, STARTER	0.4
11	6121A0	ARMATURE, STARTER	0.4
13	6121B5	GEAR, STARTER REDUCTION	0.4

Ref. No.	Part No.	Description	Reqd. QTY				Serial No.	Parts catalogue code
			GX 270 UT	GX 270 RT	GX 270 UT2	GX 270 RT2		
1	31200-ZH9-003 31200-ZH9-013	MOTOR ASSY., STARTER	1	-	-	-	1116255	LXE8,PXE8,QSE8,QXE8,SXE8 HEA2,HEA8,HKS8,PAE2,PXED,QAE2,QAE6,QKE4,QME2,QSC9,QXB6,QXE4 RHE2,RHE4,SME1,SXE4,VDE2,VKB2,VKE4,VME4,VPE2,VPE4,VPE5,VWT4 VXE6,VXE7,VXE9
			1	-	-	-	1116256	LXE8,PXE8,QSE8,QXE8,SXE8 QXE8
2	31201-ZA1-003	RING, SNAP	1	1	1	1		HEA2,HEA8,HKS8,LXE8,PAE2,PXED,PXE8,QAE2,QAE6,QKE4,QME2,QSC9 QSE8,QXB6,QXE4,QXE8,RHE2,RHE4,SME1,SXE4,SXE8,VDE2,VKB2,VKE4 VME4,VPE2,VPE4,VPE5,VWT4,VXE6,VXE7,VXE9
3	31202-ZA1-003	COLLAR, CLUTCH STOP	1	1	1	1		HEA2,HEA8,HKS8,LXE8,PAE2,PXED,PXE8,QAE2,QAE6,QKE4,QME2,QSC9 QSE8,QXB6,QXE4,QXE8,RHE2,RHE4,SME1,SXE4,SXE8,VDE2,VKB2,VKE4 VME4,VPE2,VPE4,VPE5,VWT4,VXE6,VXE7,VXE9
4	31204-ZA0-003	CONTACTOR ASSY.	1	1	1	1		HEA2,HEA8,HKS8,LXE8,PAE2,PXED,PXE8,QAE2,QAE6,QKE4,QME2,QSC9 QSE8,QXB6,QXE4,QXE8,RHE2,RHE4,SME1,SXE4,SXE8,VDE2,VKB2,VKE4 VME4,VPE2,VPE4,VPE5,VWT4,VXE6,VXE7,VXE9
5	31207-ZH9-003	CLUTCH COMP., OVERRUNNING ...	1	1	1	1		HEA2,HEA8,HKS8,LXE8,PAE2,PXED,PXE8,QAE2,QAE6,QKE4,QME2,QSC9 QSE8,QXB6,QXE4,QXE8,RHE2,RHE4,SME1,SXE4,SXE8,VDE2,VKB2,VKE4 VME4,VPE2,VPE4,VPE5,VWT4,VXE6,VXE7,VXE9
6	31211-ZE2-003	BRACKET, CENTER	1	1	1	1		HEA2,HEA8,HKS8,LXE8,PAE2,PXED,PXE8,QAE2,QAE6,QKE4,QME2,QSC9 QSE8,QXB6,QXE4,QXE8,RHE2,RHE4,SME1,SXE4,SXE8,VDE2,VKB2,VKE4 VME4,VPE2,VPE4,VPE5,VWT4,VXE6,VXE7,VXE9
7	31212-ZE2-003	BRACKET, FR.	1	1	1	1		HEA2,HEA8,HKS8,LXE8,PAE2,PXED,PXE8,QAE2,QAE6,QKE4,QME2,QSC9 QSE8,QXB6,QXE4,QXE8,RHE2,RHE4,SME1,SXE4,SXE8,VDE2,VKB2,VKE4 VME4,VPE2,VPE4,VPE5,VWT4,VXE6,VXE7,VXE9
8	31213-ZE2-003	GEAR, DRIVE PINION	1	1	1	1		HEA2,HEA8,HKS8,LXE8,PAE2,PXED,PXE8,QAE2,QAE6,QKE4,QME2,QSC9 QSE8,QXB6,QXE4,QXE8,RHE2,RHE4,SME1,SXE4,SXE8,VDE2,VKB2,VKE4 VME4,VPE2,VPE4,VPE5,VWT4,VXE6,VXE7,VXE9





Ref. No.	Part No.	Description	Reqd. QTY				Serial No.	Parts catalogue code
			GX 270 UT	GX 270 RT	GX 270 UT2	GX 270 RT2		
9	31215-ZE2-003	BRUSH	2	2	2	2	HEA2,HEA8,HKS8,LXE8,PAE2,PXED,PXE8,QAE2,QAE6,QKE4,QME2,QSC9,QSE8,QXB6,QXE4,QXE8,RHE2,RHE4,SME1,SXE4,SXE8,VDE2,VKB2,VKE4,VME4,VPE2,VPE4,VPE5,VWT4,VXE6,VXE7,VXE9	
10	31216-ZE2-003	YOKE COMP.	1	1	1	1	HEA2,HEA8,HKS8,LXE8,PAE2,PXED,PXE8,QAE2,QAE6,QKE4,QME2,QSC9,QSE8,QXB6,QXE4,QXE8,RHE2,RHE4,SME1,SXE4,SXE8,VDE2,VKB2,VKE4,VME4,VPE2,VPE4,VPE5,VWT4,VXE6,VXE7,VXE9	
11	31217-ZE2-003	ARMATURE COMP.	1	1	1	1	HEA2,HEA8,HKS8,LXE8,PAE2,PXED,PXE8,QAE2,QAE6,QKE4,QME2,QSC9,QSE8,QXB6,QXE4,QXE8,RHE2,RHE4,SME1,SXE4,SXE8,VDE2,VKB2,VKE4,VME4,VPE2,VPE4,VPE5,VWT4,VXE6,VXE7,VXE9	
12	31219-ZE2-003	SPRING, BRUSH RETURN	4	4	4	4	HEA2,HEA8,HKS8,LXE8,PAE2,PXED,PXE8,QAE2,QAE6,QKE4,QME2,QSC9,QSE8,QXB6,QXE4,QXE8,RHE2,RHE4,SME1,SXE4,SXE8,VDE2,VKB2,VKE4,VME4,VPE2,VPE4,VPE5,VWT4,VXE6,VXE7,VXE9	
13	31222-ZE3-791	GEAR, REDUCTION	1	1	1	1	HEA2,HEA8,HKS8,LXE8,PAE2,PXED,PXE8,QAE2,QAE6,QKE4,QME2,QSC9,QSE8,QXB6,QXE4,QXE8,RHE2,RHE4,SME1,SXE4,SXE8,VDE2,VKB2,VKE4,VME4,VPE2,VPE4,VPE5,VWT4,VXE6,VXE7,VXE9	
14	31231-ZE2-003	HOLDER, BRUSH	1	1	1	1	HEA2,HEA8,HKS8,LXE8,PAE2,PXED,PXE8,QAE2,QAE6,QKE4,QME2,QSC9,QSE8,QXB6,QXE4,QXE8,RHE2,RHE4,SME1,SXE4,SXE8,VDE2,VKB2,VKE4,VME4,VPE2,VPE4,VPE5,VWT4,VXE6,VXE7,VXE9	
15	31232-ZE3-003	WIRE, WATER COVER	1	1	1	1	HEA2,HEA8,HKS8,LXE8,PAE2,PXED,PXE8,QAE2,QAE6,QKE4,QME2,QSC9,QSE8,QXB6,QXE4,QXE8,RHE2,RHE4,SME1,SXE4,SXE8,VDE2,VKB2,VKE4,VME4,VPE2,VPE4,VPE5,VWT4,VXE6,VXE7,VXE9	
16	31233-ZE2-003	INSULATOR	1	1	1	1	HEA2,HEA8,HKS8,LXE8,PAE2,PXED,PXE8,QAE2,QAE6,QKE4,QME2,QSC9,QSE8,QXB6,QXE4,QXE8,RHE2,RHE4,SME1,SXE4,SXE8,VDE2,VKB2,VKE4,VME4,VPE2,VPE4,VPE5,VWT4,VXE6,VXE7,VXE9	
17	31244-ZH9-003	SPRING	1	1	1	1	HEA2,HEA8,HKS8,LXE8,PAE2,PXED,PXE8,QAE2,QAE6,QKE4,QME2,QSC9,QSE8,QXB6,QXE4,QXE8,RHE2,RHE4,SME1,SXE4,SXE8,VDE2,VKB2,VKE4,VME4,VPE2,VPE4,VPE5,VWT4,VXE6,VXE7,VXE9	



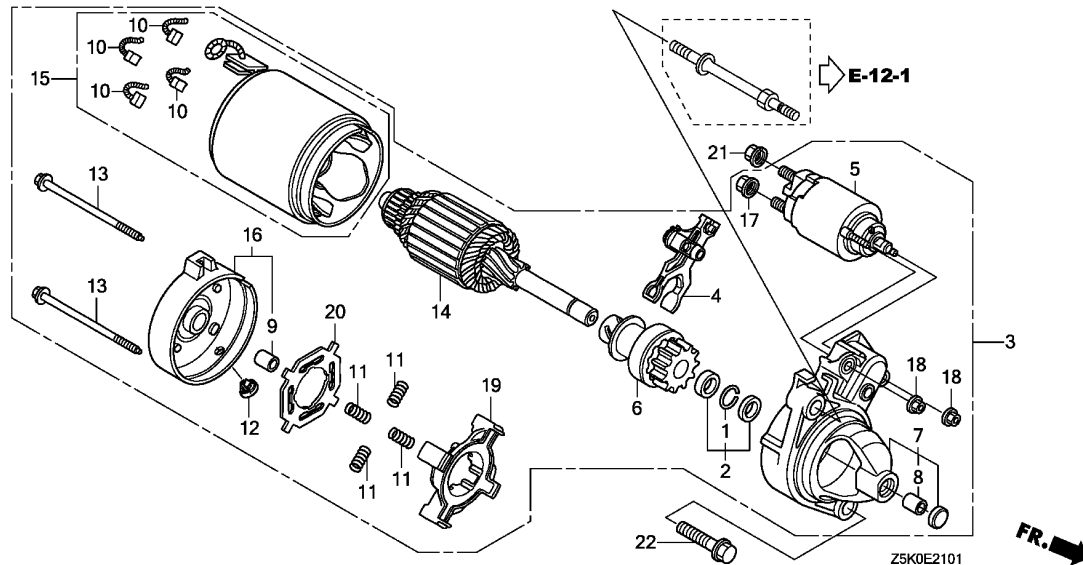
Ref. No.	Part No.	Description	Reqd. QTY				Serial No.	Parts catalogue code
			GX 270 UT	GX 270 RT	GX 270 UT2	GX 270 RT2		
18	31245-ZH9-003	SHAFT	1	1	1	1	HEA2,HEA8,HKS8,LXE8,PAE2,PXED,PXE8,QAE2,QAE6,QKE4,QME2,QSC9,QSE8,QXB6,QXE4,QXE8,RHE2,RHE4,SME1,SXE4,SXE8,VDE2,VKB2,VKE4,VME4,VPE2,VPE4,VPE5,VMT4,VXE6,VXE7,VXE9	
19	90007-ZE2-003	BOLT-WASHER, 5X14	2	2	2	2	HEA2,HEA8,HKS8,LXE8,PAE2,PXED,PXE8,QAE2,QAE6,QKE4,QME2,QSC9,QSE8,QXB6,QXE4,QXE8,RHE2,RHE4,SME1,SXE4,SXE8,VDE2,VKB2,VKE4,VME4,VPE2,VPE4,VPE5,VMT4,VXE6,VXE7,VXE9	
20	90110-ZE2-003	SCREW-WASHER, 4X6	1	1	1	1	HEA2,HEA8,HKS8,LXE8,PAE2,PXED,PXE8,QAE2,QAE6,QKE4,QME2,QSC9,QSE8,QXB6,QXE4,QXE8,RHE2,RHE4,SME1,SXE4,SXE8,VDE2,VKB2,VKE4,VME4,VPE2,VPE4,VPE5,VMT4,VXE6,VXE7,VXE9	
21	90403-ZH9-003	WASHER, SK	1	1	1	1	HEA2,HEA8,HKS8,LXE8,PAE2,PXED,PXE8,QAE2,QAE6,QKE4,QME2,QSC9,QSE8,QXB6,QXE4,QXE8,RHE2,RHE4,SME1,SXE4,SXE8,VDE2,VKB2,VKE4,VME4,VPE2,VPE4,VPE5,VMT4,VXE6,VXE7,VXE9	
22	91601-ZE2-003	PACKING	1	1	1	1	HEA2,HEA8,HKS8,LXE8,PAE2,PXED,PXE8,QAE2,QAE6,QKE4,QME2,QSC9,QSE8,QXB6,QXE4,QXE8,RHE2,RHE4,SME1,SXE4,SXE8,VDE2,VKB2,VKE4,VME4,VPE2,VPE4,VPE5,VMT4,VXE6,VXE7,VXE9	
23	93892-05032-18	SCREW-WASHER, 5X32	4	4	4	4	HEA2,HEA8,HKS8,LXE8,PAE2,PXED,PXE8,QAE2,QAE6,QKE4,QME2,QSC9,QSE8,QXB6,QXE4,QXE8,RHE2,RHE4,SME1,SXE4,SXE8,VDE2,VKB2,VKE4,VME4,VPE2,VPE4,VPE5,VMT4,VXE6,VXE7,VXE9	
24	94070-06080	NUT-WASHER, 6MM	2	2	2	2	HEA2,HEA8,HKS8,LXE8,PAE2,PXED,PXE8,QAE2,QAE6,QKE4,QME2,QSC9,QSE8,QXB6,QXE4,QXE8,RHE2,RHE4,SME1,SXE4,SXE8,VDE2,VKB2,VKE4,VME4,VPE2,VPE4,VPE5,VMT4,VXE6,VXE7,VXE9	
25	95701-08040-00	BOLT, FLANGE, 8X40	2	2	2	2	HEA2,HEA8,HKS8,LXE8,PAE2,PXED,PXE8,QAE2,QAE6,QKE4,QME2,QSC9,QSE8,QXB6,QXE4,QXE8,RHE2,RHE4,SME1,SXE4,SXE8,VDE2,VKB2,VKE4,VME4,VPE2,VPE4,VPE5,VMT4,VXE6,VXE7,VXE9	



E-21-1

STARTER MOTOR(2)

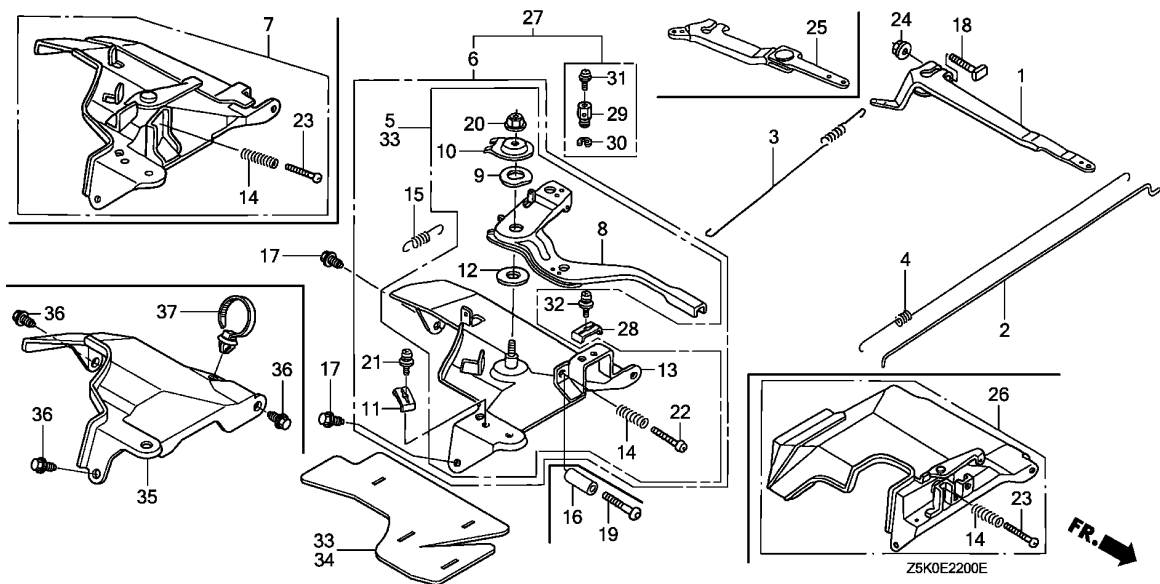
115



Ref. No.	L.O.N.	(Relative ref. Number) Description	F.R.T.
3	6121E0	MOTOR, STARTER(A)	0.4
5	6121F5	SWITCH, STARTER MAGNETIC(A) ..	0.6
6	6121D8	CLUTCH, OVERRUNNING(A)	0.8
10	6121D7	BRUSH, STARTER(A)	0.7
14	6121C4	ARMATURE, STARTER(A)	0.9
15	6121D1	YOKE, STARTER	0.6
19	6121B6	HOLDER, STARTER BRUSH	0.5

2

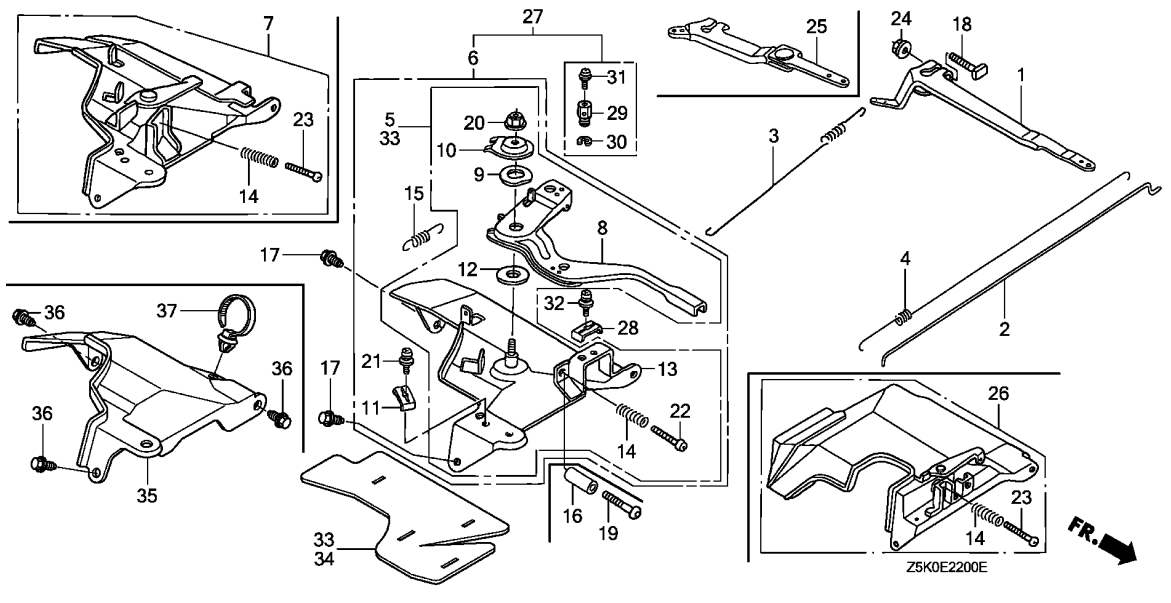
Ref. No.	Part No.	Description	Reqd. QTY				Serial No.	Parts catalogue code
			GX 270	GX 270	GX 270	GX 270		
1	30201-PH9-004	RING, SNAP (DENSO)	-	-	1	-	QZA2,QZX4,VZX7	
2	30202-PZ1-003	COLLAR SET, CLUTCH STOP	-	-	1	-	QZA2,QZX4,VZX7	
3	31200-Z5T-W01	MOTOR ASSY., STARTER	-	-	1	-	QZA2,QZX4,VZX7	
4	31203-PH9-004	LEVER, PINION DRIVE	-	-	1	-	QZA2,QZX4,VZX7	
5	31204-Z2E-003	SWITCH ASSY., MAGNET	-	-	1	-	QZA2,QZX4,VZX7	
6	31207-ZE9-H01	CLUTCH COMP., OVERRUNNING ...	-	-	1	-	QZA2,QZX4,VZX7	
7	31208-Z5T-W00	HOUSING COMP., DRIVE SIDE	-	-	1	-	QZA2,QZX4,VZX7	
8	31209-PH9-004	BEARING A	-	-	1	-	QZA2,QZX4,VZX7	
9	31210-PH9-004	BEARING B	-	-	1	-	QZA2,QZX4,VZX7	
10	31211-PH9-004	BRUSH	-	-	4	-	QZA2,QZX4,VZX7	
11	31212-PH9-004	SPRING, BRUSH	-	-	4	-	QZA2,QZX4,VZX7	
12	31213-P64-N01	COVER	-	-	1	-	QZA2,QZX4,VZX7	
13	31214-PH9-004	BOLT, THROUGH	-	-	2	-	QZA2,QZX4,VZX7	
14	31217-Z0A-003	ARMATURE COMP.	-	-	1	-	QZA2,QZX4,VZX7	
15	31218-PH9-004	YOKE COMP.	-	-	1	-	QZA2,QZX4,VZX7	
16	31219-Z5T-W00	FRAME COMP., COMMUTATOR END ..	-	-	1	-	QZA2,QZX4,VZX7	
17	31220-PH9-004	NUT, HEX., 8MM	-	-	1	-	QZA2,QZX4,VZX7	
18	31223-PA0-006	NUT, HEX.	-	-	2	-	QZA2,QZX4,VZX7	
19	31231-PH9-004	HOLDER, BRUSH	-	-	1	-	QZA2,QZX4,VZX7	
20	31233-PH9-004	INSULATOR, BRUSH HOLDER	-	-	1	-	QZA2,QZX4,VZX7	
21	94070-08080	NUT-WASHER, 8MM	-	-	1	-	QZA2,QZX4,VZX7	
22	95701-10040-00	BOLT, FLANGE, 10X40	-	-	1	-	QZA2,QZX4,VZX7	



Ref. No.	L.O.N.	(Relative ref. Number) Description	F.R.T.
1		(25)	
1	1161A0	ARM, GOVERNOR	0.2
2	1161B1	ROD, GOVERNOR	0.3
3	1161C5	SPRING, GOVERNOR	0.2
4	1161C2	SPRING, THROTTLE RETURN	0.3
5		(6,7,27,33)	
	1161A5	CONTROL, THROTTLE/GOVERNOR ...	0.2
8	1161A8	LEVER, CONTROL	0.3
13	1161A2	BASE, CONTROL	0.3
35	4141E2	SHROUD, ENGINE :UPPER	0.4

Ref. No.	Part No.	Description	Reqd. QTY				Serial No.	Parts catalogue code
			GX 270	GX 270	GX 270	GX 270		
1	16551-ZE2-000	ARM, GOVERNOR	1	1	1	1	HA2,HEA2,HEA8,HKS8,HXQ4,HX26,HX8,LXE8,LXQ4,LXU,PAE2,PA2,PXED,PXE8,PXU,PX26,QAE2,QAE6,QAG2,QAQ4,QAR2,QAW,QA2,QA26,QA4,QEQHB4,QHQ4,QH26,QKE4,QME2,QSC9,QSE8,QWA4,QWH2,QXB2,QXB6,QXB7,QXB9,QXCU,QXC2,QXC4,QXC6,QXC9,QXE4,QXE8,QXQ4,QXU,QXUZ,RA2,RHE2,RHE4,RHG4,RHQ4,RH26,RSC2,RXQ4,RXU,SHQ4,SMC2,SMC4,SME1,SME6,SWA2,SWA4,SWC4,SWS4, SXB7, SXB9, SXE4, SXE8, SXQ4, SXU, VA2, VDE2, VKQ4, VMA4, VME4, VNT2, VN17, VPE2, VPE4, VPE5, VPX4, VPX5, VPX9, VSD7, VSD9, VSH7, VS37, VS39, VWN2, VWT4, VW12, VXB7, VXB9, VXE6, VXE7, VXE9, VXQ4, VXU1, VX2	
2	16555-ZE2-000	ROD, GOVERNOR	1	1	-	1	HA2,HEA2,HKS8,HX26,LXU,PAE2,PA2,QAE2,QAG2,QAQ4,QAR2,QAW,QA2,QA26,QA4,QEQHB4,QHQ4,QH26,QKE4,QME2,QXB7,QXB9,QXE4,QXE8,QXQ4,QXUZ,RA2,RHE4,RHQ4,RH26,SHQ4,SMC4,SWA4,SWC4, SXB7, SXE4, SXQ4, SXU, VA2, VKQ4, VSD7, VXB7, VXE7, VXU1	
3	16561-ZE2-000	SPRING, GOVERNOR (L=145.0MM) (WIRE DIAMETER 1.0MM)	1	1	1	1	HA2,HEA2,HEA8,HKS8,HXQ4,HX26,HX8,LXE8,LXQ4,LXU,PAE2,PA2,PXED,PXE8,PXU,PX26,QAE2,QAE6,QAG2,QAQ4,QAR2,QAW,QA2,QA26,QA4,QEQHB4,QHQ4,QH26,QKE4,QME2,QSC9,QSE8,QWA4,QWH2,QXB2,QXB6,QXB7,QXB9,QXCU,QXC2,QXC4,QXC6,QXC9,QXE4,QXE8,QXQ4,QXU,QXUZ,RA2,RHE2,RHE4,RHG4,RHQ4,RH26,RSC2,RXQ4,RXU,SHQ4,SMC2,SMC4,SME1,SME6,SWA2,SWA4,SWC4,SWS4, SXB7, SXB9, SXE4, SXE8, SXQ4, SXU, VAG2, VA2, VDE2, VKE4, VKQ4, VKX4, VMA4, VME4, VNT2, VN17, VSD7, VSD9, VSH7, VS37, VS39, VWA2, VWN2, VWT4, VW12, VXE6, VXQ4, VXU1, VX2	
	16561-ZE2-800	SPRING, GOVERNOR (L=142.0MM)	(1)	(1)	(1)	(1)	VN17, VPX4, VSD7, VSD9, VS37, VS39, VXB7, VXB9, VXQ4, VXU1, VX2	
	16561-ZH9-U30	SPRING, GOVERNOR	1	1	1	1	VKB2, VXB7, VXB9, VXE7, VXE9	
	16561-ZK9-800	1	1	-	-	VPE2, VPE4, VPE5, VPX4, VPX5, VPX9	

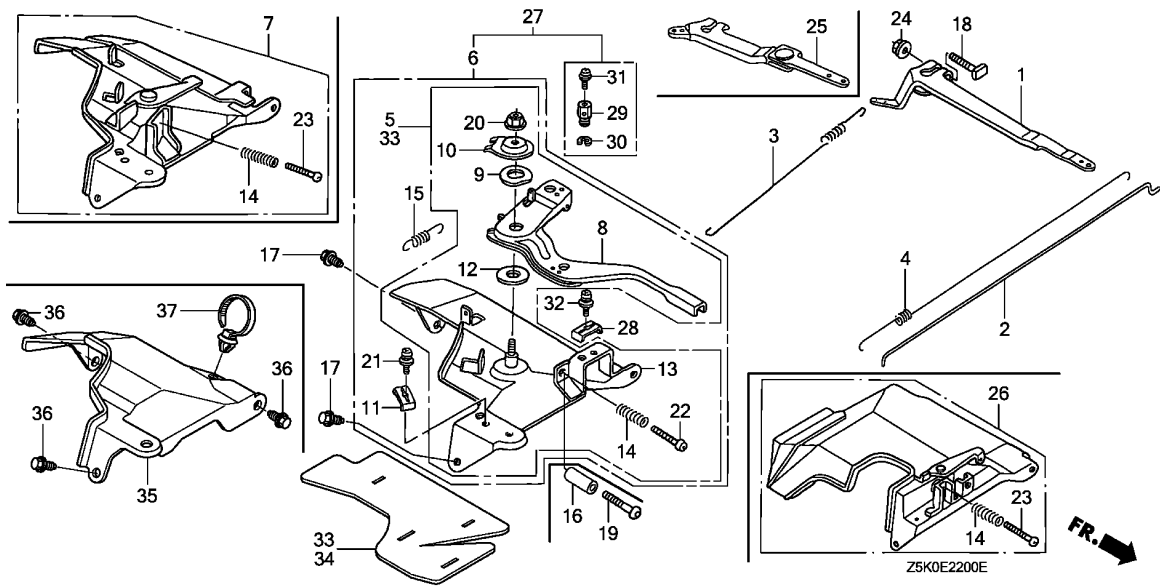




Ref. No.	Part No.	Description	Reqd. QTY				Serial No.	Parts catalogue code
			GX 270	GX 270	GX 270	GX 270		
4	16562-ZE2-000	SPRING, THROTTLE RETURN	1	1	1	1	HA2,HEA2,HEA8,HKS8,HXQ4,HX26,HX8,LXE8,LXQ4,LXU,PAE2,PA2,PXED,PXE8,PXU,PX26,QAE2,QAE6,QAG2,QAQ4,QAR2,QAW,QA2,QA26,QA4,QE,QHB4,QHQ4,QH26,QKE4,QME2,QSC9,QSE8,QWA4,QWH2,QXB2,QXB6,QXB7,QXB9,QXCU,QXC2,QXC4,QXC6,QXC9,QXE4,QXE8,QXQ4,QXU,QXUZ,RA2,RHE2,RHE4,RHG4,RHQ4,RH26,RSC2,RXQ4,RXU,SHQ4,SMC2,SMC4,SME1,SME6,SWA2,SWA4,SWC4,SWS4,SXB7,SXB9,SXE4,SXE8,SXQ4,SXU,VA2,VDE2,VKE4,VKQ4,VKX4,VMA4,VME4,VNT2,VN17,VPE2,VPE4,VPE5,VPX4,VPX5,VPX9,VSD7,VSD9,VSH7,VS37,VS39,VWN2,VWT4,VW12,VXB7,VXB9,VXE6,VXE7,VXE9,VXQ4,VXU1,VX2	
	16562-ZE2-700		1	1	-	1	VAG2,VKB2,VWA2	
5	16570-ZE2-W00	CONTROL ASSY.	1	-	-	-	HA2,HEA2,HEA8,HKS8,HXQ4,HX26,HX8,PA2,PXU,PX26,SMC2,SMC4,VXB7,VXB9,VXE6,VXE7,VXE9,VXQ4,VX2	
	16570-ZE2-W40		1	1	-	-	VN17	
	16500-Z5K-000		-	-	1	-	HA2,HEA2,HKS8,HX26,PA2,SMC4	
6	16570-ZE2-W20	CONTROL ASSY. (REMOTE)	1	1	-	-	LXE8,LXQ4,LXU,PAE2,PXED,PXE8,QAE2,QAE6,QAG2,QAQ4,QAR2,QAW,QA2,QA26,QA4,QE,QHQ4,QH26,QME2,QSC9,QSE8,QWA4,QWH2,QXB2,QXB6,QXB7,QXB9,QXCU,QXC2,QXC4,QXC6,QXC9,QXE4,QXE8,QXQ4,QXU,QXUZ,RA2,RHE2,RHE4,RHG4,RHQ4,RH26,RSC2,RXQ4,RXU,SHQ4,SME1,SWA2,SWA4,SWC4,SXB7,SXB9,SXE4,SXE8,SXQ4,SXU,VA2,VDE2,VWN2	
	16500-Z5K-810		-	-	1	1	LXU,PAE2,QAE2,QAG2,QAQ4,QAR2,QAW,QA2,QA26,QA4,QE,QHQ4,QH26,QME2,QXB7,QXE4,QXE8,QXQ4,QXUZ,RA2,RHE4,RHQ4,RH26,RSC2,SHQ4,SWA4,SWC4,SXE4,SXQ4,SXU,VA2,VDE2	
7	16570-ZE2-721	CONTROL ASSY.	1	-	-	-	1019435	VXU1
	16570-ZE2-722		1	1	-	-	VAG2,VKB2,VNT2,VSD7,VSD9,VSH7,VWA2,VWT4,VW12	
	16500-Z5K-871		1	-	-	-	1019436	VXU1
			-	-	1	1	VKB2,VNT2,VSD7,VWT4,VXU1	

Ref. No.	Part No.	Description	Reqd. QTY				Serial No.	Parts catalogue code
			GX 270 UT	GX 270 RT	GX 270 UT2	GX 270 RT2		
8	16571-ZE2-W00	LEVER, CONTROL	1	1	1	1	HA2,HEA2,HEA8,HKS8,HXQ4,HX26,HX8,LXE8,LXQ4,LXU,PAE2,PA2,PXED PXEB,PXU,PX26,QAE2,QAE6,QAG2,QAQ4,QAR2,QAW,QA2,QA26,QA4,QE QHB4,QHQ4,QH26,QKE4,QME2,QSC9,QSE8,QWA4,QWH2,QXB2,QXB6,QXB7 QXB9,QXCU,QXC2,QXC4,QXC6,QXC9,QXE4,QXE8,QXQ4,QXU,QXUZ,RA2,RHE2 RHE4,RHG4,RHQ4,RH26,RSC2,RXQ4,RXU,SHQ4,SMC2,SMC4,SME1,SME6 SWA2,SWA4,SWC4,SWS4,SWB7,SWB9,SXE4,SXE8,SXQ4,SXU,VA2,VDE2,VKQ4 VMA4,VME4,VWN2,VXB7,VXB9,VXE6,VXE7,VXE9,VXQ4,VX2	
	16571-ZE2-W10	1	1	-	1	VN17	
9	16574-ZE1-000	SPRING, LEVER	1	1	1	1	HA2,HEA2,HEA8,HKS8,HXQ4,HX26,HX8,LXE8,LXQ4,LXU,PAE2,PA2,PXED PXEB,PXU,PX26,QAE2,QAE6,QAG2,QAQ4,QAR2,QAW,QA2,QA26,QA4,QE QHB4,QHQ4,QH26,QKE4,QME2,QSC9,QSE8,QWA4,QWH2,QXB2,QXB6,QXB7 QXB9,QXCU,QXC2,QXC4,QXC6,QXC9,QXE4,QXE8,QXQ4,QXU,QXUZ,RA2,RHE2 RHE4,RHG4,RHQ4,RH26,RSC2,RXQ4,RXU,SHQ4,SMC2,SMC4,SME1,SME6 SWA2,SWA4,SWC4,SWS4,SWB7,SWB9,SXE4,SXE8,SXQ4,SXU,VA2,VDE2,VKQ4 VMA4,VME4,VN17,VWN2,VXB7,VXB9,VXE6,VXE7,VXE9,VXQ4,VX2	
10	16575-ZE2-W00	WASHER, CONTROL LEVER	1	1	1	1	HA2,HEA2,HEA8,HKS8,HXQ4,HX26,HX8,LXE8,LXQ4,LXU,PAE2,PA2,PXED PXEB,PXU,PX26,QAE2,QAE6,QAG2,QAQ4,QAR2,QAW,QA2,QA26,QA4,QE QHB4,QHQ4,QH26,QKE4,QME2,QSC9,QSE8,QWA4,QWH2,QXB2,QXB6,QXB7 QXB9,QXCU,QXC2,QXC4,QXC6,QXC9,QXE4,QXE8,QXQ4,QXU,QXUZ,RA2,RHE2 RHE4,RHG4,RHQ4,RH26,RSC2,RXQ4,RXU,SHQ4,SMC2,SMC4,SME1,SME6 SWA2,SWA4,SWC4,SWS4,SWB7,SWB9,SXE4,SXE8,SXQ4,SXU,VA2,VDE2,VKQ4 VMA4,VME4,VN17,VWN2,VXB7,VXB9,VXE6,VXE7,VXE9,VXQ4,VX2	
11	16576-891-000	HOLDER, CABLE	1	1	1	1	LXE8,LXQ4,LXU,PAE2,PXED,PXEB,QAE2,QAE6,QAG2,QAQ4,QAR2,QAW,QA2 QA26,QA4,QE,QHB4,QHQ4,QH26,QKE4,QME2,QSC9,QSE8,QWA4,QWH2,QXB2,QXB6 QXB7,QXB9,QXCU,QXC2,QXC4,QXC6,QXC9,QXE4,QXE8,QXQ4,QXU,QXUZ,RA2 RHE2,RHE4,RHG4,RHQ4,RH26,RSC2,RXQ4,RXU,SHQ4,SME1,SME6,SWA2 SWA4,SWC4,SWB7,SWB9,SXE4,SXE8,SXQ4,SXU,VA2,VDE2,VKQ4,VMA4,VME4 VWN2	
12	16578-ZE1-000	SPACER, CONTROL LEVER	1	1	1	1	HA2,HEA2,HEA8,HKS8,HXQ4,HX26,HX8,LXE8,LXQ4,LXU,PAE2,PA2,PXED PXEB,PXU,PX26,QAE2,QAE6,QAG2,QAQ4,QAR2,QAW,QA2,QA26,QA4,QE QHB4,QHQ4,QH26,QKE4,QME2,QSC9,QSE8,QWA4,QWH2,QXB2,QXB6,QXB7 QXB9,QXCU,QXC2,QXC4,QXC6,QXC9,QXE4,QXE8,QXQ4,QXU,QXUZ,RA2,RHE2 RHE4,RHG4,RHQ4,RH26,RSC2,RXQ4,RXU,SHQ4,SMC2,SMC4,SME1,SME6 SWA2,SWA4,SWC4,SWS4,SWB7,SWB9,SXE4,SXE8,SXQ4,SXU,VA2,VDE2,VKQ4 VMA4,VME4,VN17,VWN2,VXB7,VXB9,VXE6,VXE7,VXE9,VXQ4,VX2	
13	16581-ZE2-W00	BASE COMP., CONTROL (###) ...	1	1	-	-	HA2,HEA2,HEA8,HKS8,HXQ4,HX26,HX8,LXE8,LXQ4,LXU,PAE2,PA2,PXED PXEB,PXU,PX26,QAE2,QAE6,QAG2,QAQ4,QAR2,QAW,QA2,QA26,QA4,QE QHB4,QHQ4,QH26,QKE4,QME2,QSC9,QSE8,QWA4,QWH2,QXB2,QXB6,QXB7 QXB9,QXCU,QXC2,QXC4,QXC6,QXC9,QXE4,QXE8,QXQ4,QXU,QXUZ,RA2,RHE2 RHE4,RHG4,RHQ4,RH26,RSC2,RXQ4,RXU,SHQ4,SMC2,SMC4,SME1,SME6 SWA2,SWA4,SWC4,SWS4,SWB7,SWB9,SXE4,SXE8,SXQ4,SXU,VA2,VDE2,VKQ4 VMA4,VME4,VN17,VWN2,VXB7,VXB9,VXE6,VXE7,VXE9,VXQ4,VX2	
	16580-Z5K-000	BASE COMP., CONTROL	-	-	1	1	HA2,HEA2,HKS8,HX26,LXU,PAE2,PA2,QAE2,QAG2,QAQ4,QAR2,QAW,QA2 QA26,QA4,QE,QHB4,QHQ4,QH26,QKE4,QME2,QXB7,QXE4,QXE8,QXQ4,QXUZ RA2,RHE4,RHQ4,RH26,RSC2,SHQ4,SMC4,SWA4,SWC4,SXE4,SXQ4,SXU,VA2 VDE2,VKQ4	
	16580-Z5K-800	-	-	1	1	QXB9,SWB7,VN17,VXB7,VXE7	
14	16584-883-300	SPRING, CONTROL ADJUSTING ...	1	1	-	1	HA2,HEA2,HKS8,HX26,LXU,PAE2,PA2,QAE2,QAG2,QAQ4,QAR2,QAW,QA2 QA26,QA4,QE,QHB4,QHQ4,QH26,QKE4,QME2,QXB7,QXB9,QXE4,QXE8,QXQ4 QXUZ,RA2,RHE4,RHQ4,RH26,SHQ4,SMC4,SWA4,SWC4,SWB7,SXE4,SXQ4,SXU VA2,VKQ4,VSD7,VXB7,VXE7,VXU1	



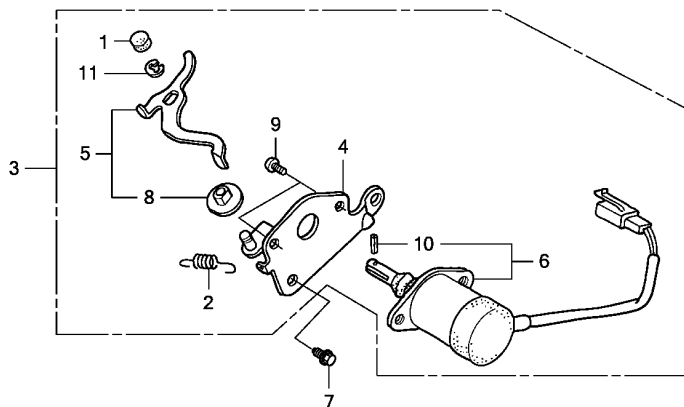


2

Ref. No.	Part No.	Description	Reqd. QTY				Serial No.	Parts catalogue code
			GX 270 UT	GX 270 RT	GX 270 UT2	GX 270 RT2		
15	16592-883-310	SPRING, CABLE RETURN	1	1	1	1	LXE8, LXQ4, LXU, PAE2, PXED, PXE8, QAE2, QAE6, QAG2, QAQ4, QAR2, QAW, QA2, QA26, QA4, QE, QHB4, QHQ4, QH26, QKE4, QME2, QSC9, QSE8, QWA4, QWH2, QXB2, QXB6, QXB7, QXB9, QXC, QXC2, QXC4, QXC6, QXC9, QXE4, QXE8, QXQ4, QXU, QXUZ, RA2, RHE2, RHE4, RHG4, RHQ4, RH26, RSC2, RXQ4, RXU, SHQ4, SME1, SME6, SWA2, SWA4, SWC4, SWS4, SXB7, SXB9, SXE4, SXE8, SXQ4, SXU, VA2, VDE2, VKQ4, VMA4, VME4, VWN2	
16	16599-ZG1-M10	COLLAR, STOPPER	(1)	(1)	(1)	(1)	HXQ4, LXQ4, QAQ4, QE, QHB4, QHQ4, QKE4, QME2, QWA4, QXB2, QXB7, QXB9, QXC2, QXC4, QXE4, QXQ4, QZX4, RHE2, RHE4, RHG4, RHQ4, RXQ4, SHQ4, SMC2, SMC4, SME1, SME6, SWA2, SWA4, SWC4, SWS4, SXB7, SXB9, SXE4, SXQ4, VKQ4, VMA4, VME4, VN17, VPE2, VPE4, VPE5, VPX4, VPX5, VPX9, VSD7, VSD9, VSH7, VS37, VS39, VWT4, VXB7, VXB9, VXE7, VXE9, VXQ4, VZX7	
17	90013-883-000	BOLT, FLANGE, 6X12(CT200) ...	2	2	-	2	HA2, HEA2, HKS8, HX26, LXU, PAE2, PA2, QAE2, QAG2, QAQ4, QAR2, QAW, QA2, QA26, QA4, QE, QHB4, QHQ4, QH26, QKE4, QME2, QXB7, QXB9, QXE4, QXE8, QXQ4, QXUZ, RA2, RHE4, RHQ4, RH26, SHQ4, SMC4, SWA4, SWC4, SXB7, SXE4, SXQ4, SXU, VA2, VKQ4, VSD7, VXB7, VXE7, VXU1	
18	90015-ZE5-010 90015-Z5T-000	BOLT, GOVERNOR ARM	1	1	-	-	HA2, HEA2, HKS8, HX26, LXU, PAE2, PA2, QAE2, QAG2, QAQ4, QAR2, QAW, QA2, QA26, QA4, QE, QHB4, QHQ4, QH26, QKE4, QME2, QXB7, QXB9, QXE4, QXE8, QXQ4, QXUZ, RA2, RHE4, RHQ4, RH26, SHQ4, SMC4, SWA4, SWC4, SXB7, SXE4, SXQ4, SXU, VA2, VKQ4, VSD7, VXB7, VXE7, VXU1	
19	90016-ZG9-N30	SCREW, RECESSED, 5X25	(1)	(1)	(1)	(1)	HXQ4, LXQ4, QAQ4, QE, QHB4, QHQ4, QKE4, QME2, QWA4, QXB2, QXB7, QXB9, QXC2, QXC4, QXE4, QXQ4, RHE2, RHE4, RHG4, RHQ4, RXQ4, SHQ4, SMC2, SMC4, SME1, SME6, SWA2, SWA4, SWC4, SWS4, SXB7, SXB9, SXE4, SXQ4, VKQ4, VMA4, VME4, VN17, VPE2, VPE4, VPE5, VPX4, VPX5, VPX9, VSD7, VSD9, VSH7, VS37, VS39, VWT4, VXB7, VXB9, VXE7, VXE9, VXQ4	

Ref. No.	Part No.	Description	Reqd. QTY				Serial No.	Parts catalogue code
			GX 270 UT	GX RT	GX 270 UT2	GX RT2		
20	90114-SA0-000	NUT, SELF-LOCK, 6MM	1	1	1	1	-----	HA2,HEA2,HEA8,HKS8,HXQ4,HX26,HX8,LXE8,LXQ4,LXU,PAE2,PA2,PXED PX8,PXU,PX26,QAE2,QAE6,QAG2,QAQ4,QAR2,QAW,QA2,QA26,QA4,QE QHB4,QHQ4,QH26,QKE4,QME2,QSC9,QSE8,QWA4,QWH2,QXB2,QXB6,QXB7 QXB9,QXCU,QXC2,QXC4,QXC6,QXC9,QXE4,QXE8,QXQ4,QXU,QXUZ,RA2,RHE2 RHE4,RHG4,RHQ4,RH26,RSC2,RXQ4,RXU,SHQ4,SMC2,SMC4,SME1,SME6 SWA2,SWA4,SWC4,SWS4,SBX7,SBX9,SXE4,SXE8,SXQ4,SXU,VA2,VDE2,VKQ4 VMA4,VME4,VN17,VWN2,VXB7,VXB9,VXE6,VXE7,VXE9,VXQ4,VX2
21	93500-05016-0A	SCREW, PAN, 5X16	1	1	1	1	-----	LXE8,LXQ4,LXU,PAE2,PXED,PXE8,QAE2,QAE6,QAG2,QAQ4,QAR2,QAW,QA2 QA26,QA4,QE,QHQ4,QH26,QKE4,QME2,QSC9,QSE8,QWA4,QWH2,QXB2,QXB6 QXB7,QXB9,QXCU,QXC2,QXC4,QXC6,QXC9,QXE4,QXE8,QXQ4,QXU,QXUZ,RA2 RHE2,RHE4,RHG4,RHQ4,RH26,RSC2,RXQ4,RXU,SHQ4,SME1,SME6,SWA2 SWA4,SWC4,SBX7,SBX9,SXE4,SXE8,SXQ4,SXU,VA2,VDE2,VKQ4,VMA4,VME4 VWN2
22	93500-05028-0A	SCREW, PAN, 5X28	1	1	1	1	-----	HA2,HEA2,HEA8,HKS8,HXQ4,HX26,HX8,LXE8,LXQ4,LXU,PAE2,PA2,PXED PX8,PXU,PX26,QAE2,QAE6,QAG2,QAQ4,QAR2,QAW,QA2,QA26,QA4,QE QHB4,QHQ4,QH26,QKE4,QME2,QSC9,QSE8,QWA4,QWH2,QXB2,QXB6,QXB7 QXB9,QXCU,QXC2,QXC4,QXC6,QXC9,QXE4,QXE8,QXQ4,QXU,QXUZ,RA2,RHE2 RHE4,RHG4,RHQ4,RH26,RSC2,RXQ4,RXU,SHQ4,SMC2,SMC4,SME1,SME6 SWA2,SWA4,SWC4,SWS4,SBX7,SBX9,SXE4,SXE8,SXQ4,SXU,VA2,VDE2,VKQ4 VMA4,VME4,VN17,VWN2,VXB7,VXB9,VXE6,VXE7,VXE9,VXQ4,VX2
23	93500-05035-0A	SCREW, PAN, 5X35	1	1	1	1	-----	VAG2,VKB2,VKE4,VKX4,VNT2,VPE2,VPE4,VPE5,VPX4,VPX5,VPX9,VSD7 VSD9,VSH7,VS37,VS39,VMA2,VWT4,VW12,VXU1
24	94050-06000	NUT, FLANGE, 6MM	1	1	-	1	-----	HA2,HEA2,HKS8,HX26,LXU,PAE2,PA2,QAE2,QAG2,QAQ4,QAR2,QAW,QA2 QA26,QA4,QE,QHB4,QHQ4,QH26,QKE4,QME2,QXB7,QXB9,QXE4,QXE8,QXQ4 QXUZ,RA2,RHE4,RHQ4,RH26,SHQ4,SMC4,SWA4,SWC4,SBX7,SXE4,SXQ4,SXU VA2,VKQ4,VSD7,VXB7,VXE7,VXU1
25	16550-ZE2-700	ARM COMP., GOVERNOR	1	1	-	1	-----	VAG2,VKB2,VKE4,VKX4,VMA2
26	16570-ZE2-701	CONTROL ASSY.	1	1	-	-	-----	VKE4,VKX4,VPE2,VPE4,VPE5,VPX4,VPX5,VPX9,VS37,VS39
27	16570-ZE2-W10	CONTROL ASSY. (REMOTE)	1	-	-	-	-----	QKE4,SME6,VKQ4,VMA4,VME4
	16570-ZE2-W50	1	-	-	-	-----	QHB4,SWS4
	16500-Z5K-800	-	-	1	-	-----	QKE4,VKQ4
	16500-Z5K-830	-	-	1	-	-----	QHB4
28	16576-891-000	HOLDER, CABLE	1	-	1	-	-----	QHB4,SWS4
29	16594-883-010	HOLDER, WIRE	1	-	1	-	-----	QHB4,QKE4,SME6,SWS4,VKQ4,VMA4,VME4
30	90605-230-000	CIRCLIP, 5MM	1	-	1	-	-----	QHB4,QKE4,SME6,SWS4,VKQ4,VMA4,VME4
31	93500-04006-OH	SCREW, PAN, 4X6	1	-	1	-	-----	QHB4,QKE4,SME6,SWS4,VKQ4,VMA4,VME4
32	93500-05016-0A	SCREW, PAN, 5X16	1	-	1	-	-----	QHB4,SWS4
33	16500-Z5K-840	CONTROL ASSY.	-	-	1	-	-----	VXB7,VXE7
	16500-Z5K-850	CONTROL ASSY. (REMOTE)	-	-	1	-	-----	QXB9,SBX7
	16500-Z5K-860	CONTROL ASSY.	-	-	-	1	-----	VN17
34	16588-Z5K-000	INSURATOR, CONTROL BASE	-	-	1	1	-----	QXB9,SBX7,VN17,VXB7,VXE7
35	19630-Z5K-W00	SHROUD COMP., UPPER	-	-	1	-	-----	QZA2,QZX4,VZX7
36	90013-883-000	BOLT, FLANGE, 6X12(CT200) ...	-	-	3	-	-----	QZA2,QZX4,VZX7
37	91541-S0A-003	CLIP, HARNESS BAND (BLACK) (145MM)	-	-	1	-	-----	QZA2,QZX4,VZX7



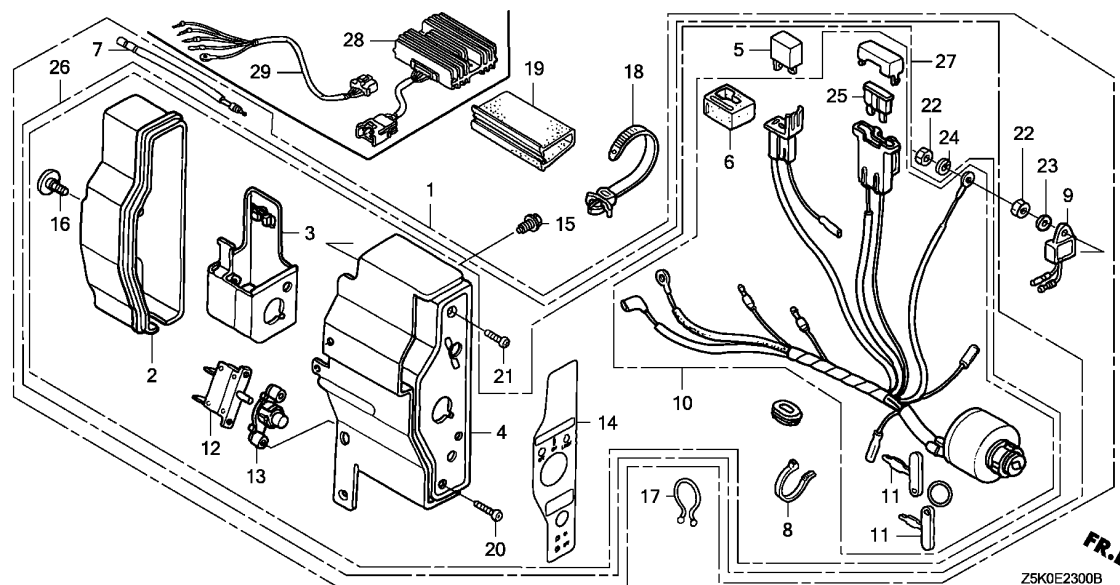


FR.

Z5K0E2210

Ref. No.	L.O.N.	(Relative ref. Number) Description	F.R.T.
2	8101Q9	SPRING, CHOKE RETURN	0.2
3	8101S8	THROTTLE, AUTO	0.2
6	6211C5	SOLENOID, AUTO THROTTLE	0.3

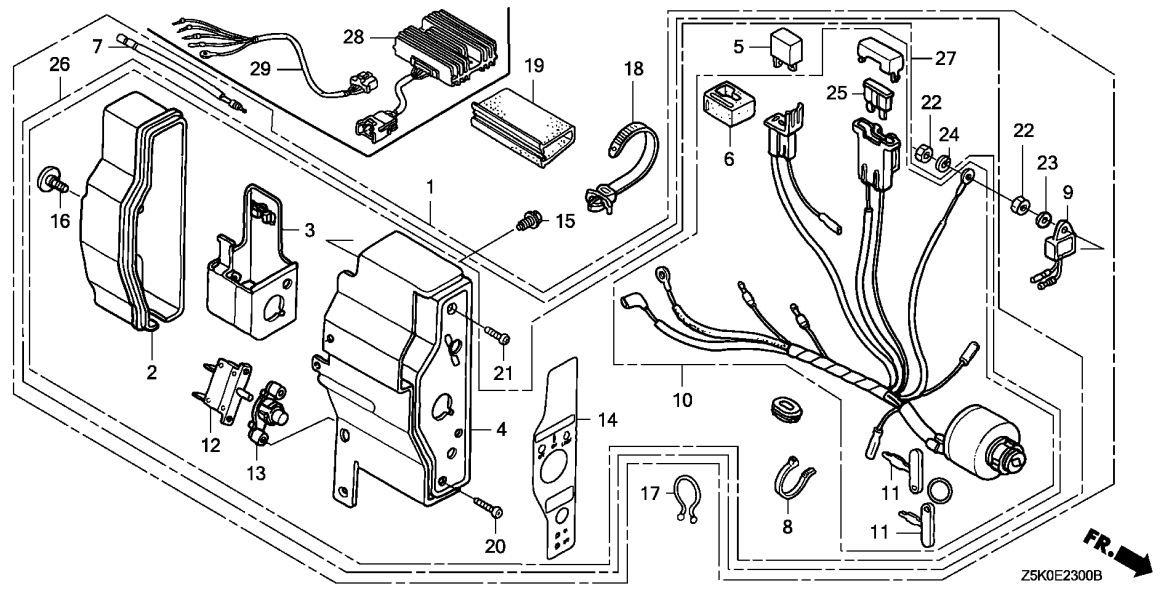
Ref. No.	Part No.	Description	Reqd. QTY				Serial No.	Parts catalogue code
			GX 270 UT	GX 270 RT	GX 270 UT2	GX 270 RT2		
1	16252-ZA1-010	CAP, CHOKE LEVER	-	1	-	-	-----	VAG2
2	16268-893-000	SPRING, CHOKE RETURN	-	1	-	-	-----	VAG2
3	16270-ZB4-010	AUTO-THROTTLE ASSY.	-	1	-	-	-----	VAG2
4	16271-ZB4-000	STAY, SOLENOID THROTTLE	-	1	-	-	-----	VAG2
5	16273-ZB4-000	LEVER COMP., SOLENOID THROTTLE	-	1	-	-	-----	VAG2
6	36160-ZB4-013	SOLENOID ASSY.	-	1	-	-	-----	VAG2
7	90013-883-000	BOLT, FLANGE, 6X12(CT200) ...	-	1	-	-	-----	VAG2
8	91502-ZB4-701	BUSH, AUTO-THROTTLE LEVER ...	-	1	-	-	-----	VAG2
9	93500-05008-0A	SCREW, PAN, 5X8	-	2	-	-	-----	VAG2
10	94305-20062	PIN, SPRING, 2X6	-	1	-	-	-----	VAG2
11	94540-04018	E-RING, 4MM	-	1	-	-	-----	VAG2



Ref. No.	L.O.N.	(Relative ref. Number) Description	F.R.T.
1		(26)	
4	6221N7	BOX, ENGINE CONTROL	0.1
4	6221P7	PANEL, ENGINE CONTROL	0.2
5	6131B8	RECTIFIER, SILICON	0.2
9	6151K4	ALERT UNIT, ENGINE CONTROL OIL	0.2
10	6151E1	SWITCH, COMBINATION	0.2
12	6221D4	PROTECTOR, CIRCUIT	0.2
25	8121A7	FUSE, BLADE	0.1
28	6131B7	RECTIFIER, REGULATOR	0.2

Ref. No.	Part No.	Description	Reqd. QTY				Serial No.	Parts catalogue code
			GX 270	GX 270	GX 270	GX 270		
1	31610-Z5J-801ZA	BOX ASSY., CONTROL (EXP-ALERT) (3A)						
		NH1.....BLACK	1	-	-	-	QAE2	
	31610-Z5J-801ZC	*R280*.....POWER RED	1	1	-	-	HEA2,HEA8,HKS8,PAE2,QAE2,QAE6,VDE2,VKB2	
	31610-Z5K-801ZA	BOX ASSY., CONTROL (EXP-ALERT)						
		R280.....POWER RED	1	-	-	-	1181871 LXE8,PXE8,QXE8,SXE8	
	31610-Z5K-802ZA	*R280*.....POWER RED	1	-	-	-	PXED,QXE4,SXE4,VXE6,VXE7,VXE9	
		R280.....POWER RED	1	-	-	-	1181872 LXE8,PXE8,QXE8,SXE8	
	31610-Z5K-802ZB	*NH1*.....BLACK	1	-	-	-	VXE7,VXE9	
2	31612-ZE2-003	CASE, CONTROL	1	1	1	1	HEA2,HEA8,HKS8,LXE8,PAE2,PXED,PXE8,QAE2,QAE6,QXE4,QXE8,RHE2	
							RHE4,SXE4,SXE8,VDE2,VKB2,VXE6,VXE7,VXE9	
3	31614-ZE2-003	BRACKET, CASE MOUNTING	1	1	1	1	HEA2,HEA8,HKS8,LXE8,PAE2,PXED,PXE8,QAE2,QAE6,QXE4,QXE8,RHE2	
							RHE4,SXE4,SXE8,VDE2,VKB2,VXE6,VXE7,VXE9	
4	31615-ZE2-003ZA	PANEL COMP., CONTROL						
		NH1.....BLACK	1	-	1	-	QAE2,VXE7,VXE9	
	31615-ZE2-003ZG	*R280*.....POWER RED	1	1	1	1	HEA2,HEA8,HKS8,LXE8,PAE2,PXED,PXE8,QAE2,QAE6,QXE4,QXE8,RHE2	
							RHE4,SXE4,SXE8,VDE2,VKB2,VXE6,VXE7,VXE9	
5	31700-124-008	RECTIFIER ASSY., SILICON (SHINDENGEN)	1	1	1	1	HEA2,HEA8,HKS8,LXE8,PAE2,PXED,PXE8,QAE2,QAE6,QXE4,QXE8,RHE2	
							RHE4,SXE4,SXE8,VDE2,VKB2,VXE6,VXE7,VXE9	
6	32127-738-700	SUSPENSION, COUPLER	1	1	1	1	HEA2,HEA8,HKS8,LXE8,PAE2,PXED,PXE8,QAE2,QAE6,QXE4,QXE8,RHE2	
							RHE4,SXE4,SXE8,VDE2,VKB2,VXE6,VXE7,VXE9	
7	32197-ZE1-003	HARNESS, SUB WIRE	1	1	-	-	HEA2,HEA8,HKS8,LXE8,PAE2,PXED,PXE8,QAE2,QAE6,QXE4,QXE8,SXE4	
							SXE8,VDE2,VKB2,VXE6,VXE7,VXE9	
8	32902-892-003	BAND	1	1	1	1	HEA2,HEA8,HKS8,LXE8,PAE2,PXED,PXE8,QAE2,QAE6,QXE4,QXE8,RHE2	
							RHE4,SXE4,SXE8,VDE2,VKB2,VXE6,VXE7,VXE9	
9	34150-ZH7-003	ALERT UNIT, OIL	1	-	-	-	LXE8,PXE8,QXE8,SXE8	





Ref. No.	Part No.	Description	Reqd. QTY				Serial No.	Parts catalogue code
			GX 270	GX 270	GX 270	GX 270		
(9)	34150-ZH7-013	ALERT UNIT, OIL	1	1	-	-	HEA2,HEA8,HKS8,PAE2,PXED,QAE2,QAE6,QXE4,SXE4,VDE2,VKB2,VXE6,VXE7,VXE9	
10	35100-ZE2-033	SWITCH ASSY., COMBINATION ...	1	-	-	-	LXE8,PXED,PXE8,QXE4,QXE8,RHE2,RHE4,SXE4,SXE8,VXE6,VXE7,VXE9	
	35100-ZE2-843	SWITCH ASSY., COMBINATION (3A-CHARGE)	1	1	-	-	HEA2,HEA8,HKS8,PAE2,QAE2,QAE6,VDE2,VKB2	
	35100-Z5T-811	SWITCH ASSY., COMBINATION ...	-	-	1	-	QXE4,QXE8,RHE4,SXE4,VXE7	
	35100-Z5T-821	SWITCH ASSY., COMBINATION (3A-CHARGE)	-	-	1	1	HEA2,HKS8,PAE2,QAE2,VDE2,VKB2	
11	35111-880-013	KEY COMP.	2	2	2	2	HEA2,HEA8,HKS8,LXE8,PAE2,PXED,PXE8,QAE2,QAE6,QXE4,QXE8,RHE2,RHE4,SXE4,SXE8,VDE2,VKB2,VXE6,VXE7,VXE9	
12	38240-VA3-900	PROTECTOR, CIRCUIT (1.0A) ...	1	-	1	-	LXE8,PXED,PXE8,QXE4,QXE8,RHE2,RHE4,SXE4,SXE8,VXE6,VXE7,VXE9	
	38240-ZE2-840	PROTECTOR, CIRCUIT (3.5A) ...	1	1	1	1	HEA2,HEA8,HKS8,PAE2,QAE2,QAE6,VDE2,VKB2	
13	38250-ZA8-701	LENS ASSY., PROTECTOR	1	1	1	1	HEA2,HEA8,HKS8,LXE8,PAE2,PXED,PXE8,QAE2,QAE6,QXE4,QXE8,RHE2,RHE4,SXE4,SXE8,VDE2,VKB2,VXE6,VXE7,VXE9	
14	87529-Z4T-840	MARK, CONTROL BOX (EXTERNAL)	1	1	1	1	HEA2,HEA8,HKS8,LXE8,PAE2,PXED,PXE8,QAE2,QAE6,QXE4,QXE8,RHE2,SXE4,SXE8,VDE2,VKB2,VXE6,VXE7,VXE9	
	87529-ZE2-812	MARK, CONTROL BOX (EXP)	-	-	1	-	RHE4	
15	90013-883-000	BOLT, FLANGE, 6X12(CT200) ...	2	2	2	2	HEA2,HEA8,HKS8,LXE8,PAE2,PXED,PXE8,QAE2,QAE6,QXE4,QXE8,RHE2,RHE4,SXE4,SXE8,VDE2,VKB2,VXE6,VXE7,VXE9	
16	90380-MA6-010	SCREW, SPECIAL, 6X12	1	1	1	1	HEA2,HEA8,HKS8,LXE8,PAE2,PXED,PXE8,QAE2,QAE6,QXE4,QXE8,RHE2,RHE4,SXE4,SXE8,VDE2,VKB2,VXE6,VXE7,VXE9	
17	90630-751-000	CLIP, PURSE LOCK	1	1	2	2	HEA2,HEA8,HKS8,LXE8,PAE2,PXED,PXE8,QAE2,QAE6,QXE4,RHE2,RHE4,SXE4,SXE8,VDE2,VKB2,VXE6,VXE7,VXE9	
			1	-	1	-	QXE8	

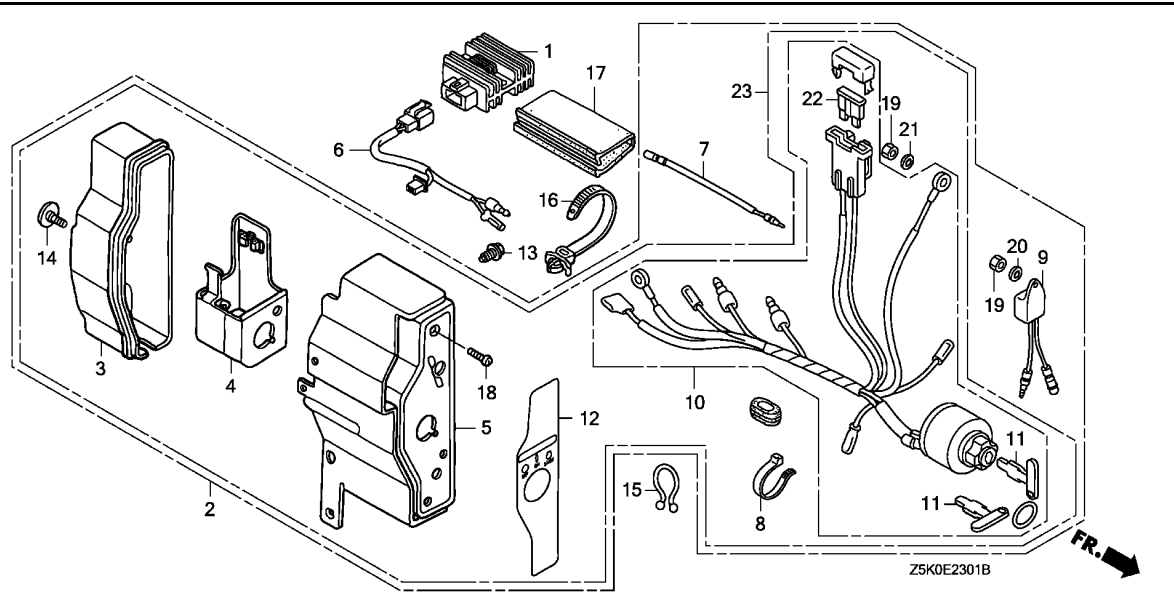
Ref. No.	Part No.	Description	Reqd. QTY				Serial No.	Parts catalogue code
			GX 270 UT	GX 270 RT	GX 270 UT2	GX 270 RT2		
18	90672-SA0-003	STRAP, CABLE, 118MM(BLACK) ..	1	1	1	1	-----	HEA2,HEA8,HKS8,LXE8,PAE2,PXED,PXE8,QAE2,QAE6,QXE4,RHE2,RHE4 SXE4,SXE8,VDE2,VKB2,VXE6,VXE7,VXE9
19	91406-ZE2-003	TUBE, FASTENER, 30MM	1	1	1	1	-----	QXE8 HEA2,HEA8,HKS8,LXE8,PAE2,PXED,PXE8,QAE2,QAE6,QXE4,RHE2,RHE4 SXE4,SXE8,VDE2,VKB2,VXE6,VXE7,VXE9
20	93500-03012-0H	SCREW, PAN, 3X12	2	2	2	2	-----	QXE8 HEA2,HEA8,HKS8,LXE8,PAE2,PXED,PXE8,QAE2,QAE6,QXE4,QXE8,RHE2 RHE4,SXE4,SXE8,VDE2,VKB2,VXE6,VXE7,VXE9
21	93500-04012-0H	SCREW, PAN, 4X12	1	1	-	-	-----	HEA2,HEA8,HKS8,LXE8,PAE2,PXED,PXE8,QAE2,QAE6,QXE4,QXE8,RHE2 RHE4,SXE4,SXE8,VDE2,VKB2,VXE6,VXE7,VXE9
22	94001-04390-0S	NUT, HEX., 4MM	1	-	-	-	-----	RHE2,RHE4
			2	2	-	-	-----	HEA2,HEA8,HKS8,LXE8,PAE2,PXED,PXE8,QAE2,QAE6,QXE4,QXE8,SXE4 SXE8,VDE2,VKB2,VXE6,VXE7,VXE9
23	94101-04800	WASHER, PLAIN, 4MM	1	1	-	-	-----	HEA2,HEA8,HKS8,LXE8,PAE2,PXED,PXE8,QAE2,QAE6,QXE4,QXE8,SXE4 SXE8,VDE2,VKB2,VXE6,VXE7,VXE9
24	94111-04800	WASHER, SPRING, 4MM	1	1	-	-	-----	HEA2,HEA8,HKS8,LXE8,PAE2,PXED,PXE8,QAE2,QAE6,QXE4,QXE8,RHE2 RHE4,SXE4,SXE8,VDE2,VKB2,VXE6,VXE7,VXE9
25	98200-30500	FUSE, BLADE (5A)	1	-	1	-	-----	LXE8,PXED,PXE8,QXE4,QXE8,RHE2,RHE4,SXE4,SXE8,VXE6,VXE7,VXE9
	98200-31500	FUSE, BLADE (15A)	-	-	1	1	-----	HEA2,HKS8,PAE2,QAE2,VDE2,VKB2
			1	1	-	-	-----	HEA2,HEA8,HKS8,PAE2,QAE2,QAE6,VDE2,VKB2
26	31610-Z5J-811ZA	BOX ASSY., CONTROL (EXTERNAL) *R280*.....POWER RED	1	-	-	-	-----	RHE2,RHE4
27	31610-Z5K-811ZA	BOX ASSY., CONTROL (EXP-ALERT) *NH1*.....BLACK	-	-	1	-	-----	VXE7
	31610-Z5K-811ZB	*R280*.....POWER RED	-	-	1	-	-----	QXE4,QXE8,SXE4,VXE7
	31610-Z5K-821ZA	BOX ASSY., CONTROL (EXP-ALERT) (3A) *NH1*.....BLACK	-	-	1	-	-----	QAE2
	31610-Z5K-821ZB	*R280*.....POWER RED	-	-	1	1	-----	HEA2,HKS8,PAE2,QAE2,VDE2,VKB2
	31610-Z5K-851ZB	BOX ASSY., CONTROL (EXP-ALERT) *R280*.....POWER RED	-	-	1	-	-----	RHE4
28	31620-ZG5-033	RECTIFIER ASSY., REGULATOR (20A)	1	-	1	-	-----	QAR2
29	32110-ZE2-W00	HARNESS ASSY., SUB WIRE	1	-	1	-	-----	QAR2



E-23-1

CONTROL BOX(2)

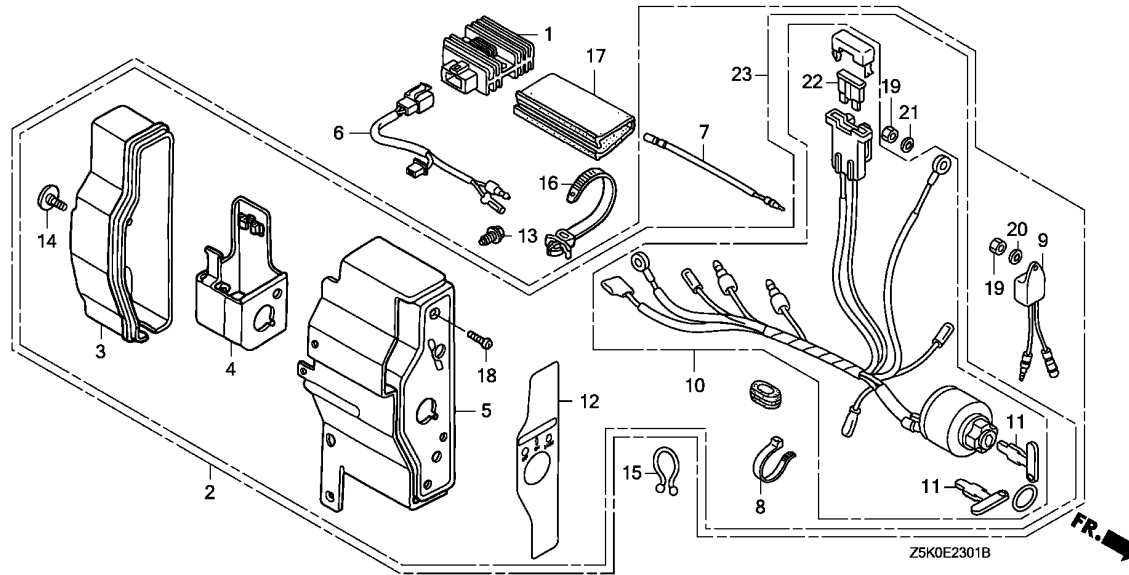
J 9



Ref. No.	L.O.N.	(Relative ref. Number) Description	F.R.T.
1	6131B7	RECTIFIER, REGULATOR	0.2
2		(23)	
	6221N7	BOX, ENGINE CONTROL	0.1
5	6221P7	PANEL, ENGINE CONTROL	0.2
6	6111D3	HARNESS, SUB WIRE	0.2
9	6151K4	ALERT UNIT, ENGINE CONTROL OIL	0.2
10	6151E1	SWITCH, COMBINATION	0.2
22	8121A7	FUSE, BLADE	0.1

Ref. No.	Part No.	Description	Reqd. QTY				Serial No.	Parts catalogue code
			GX 270	GX 270	GX 270	GX 270		
1	31600-ZE2-861	RECTIFIER ASSY., REGULATOR (10A)	1	-	1	-	-----	QKE4,QME2,QSE8,QXB6,SME1
2	31610-Z5J-821ZA	BOX ASSY., CONTROL (EXP-ALERT) (10A)	1	-	1	-	-----	QME2,QSC9,QSE8,QXB6,SME1
3	31612-ZE2-003	*R280*.....POWER RED CASE, CONTROL	1	-	1	-	-----	QME2,QSC9,QSE8,QXB6,SME1
4	31614-ZE2-003	BRACKET, CASE MOUNTING	1	-	1	-	-----	QME2,QSC9,QSE8,QXB6,SME1
5	31615-ZE2-003ZG	PANEL COMP., CONTROL *R280*.....POWER RED	1	-	1	-	-----	QME2,QSC9,QSE8,QXB6,SME1
6	32110-ZE2-860	HARNESS ASSY., SUB WIRE	1	-	1	-	-----	QKE4,QME2,QSE8,QXB6,SME1
7	32197-ZE1-003	HARNESS, SUB WIRE	1	-	1	-	-----	QME2,QSC9,QSE8,QXB6,SME1
8	32902-892-003	BAND	1	-	1	-	-----	QME2,QSC9,QSE8,QXB6,SME1
9	34150-ZH7-003	ALERT UNIT, OIL	1	-	1	-	-----	QSE8
	34150-ZH7-013	1	-	1	-	-----	QME2,QSC9,QXB6,SME1
10	35100-ZE2-862	SWITCH ASSY., COMBINATION (10A-CHARGE)	1	-	1	-	-----	QME2,QSC9,QSE8,QXB6,SME1
	35100-Z5T-831	SWITCH ASSY., COMBINATION (10A)	-	-	1	-	-----	QME2
11	35111-880-013	KEY COMP.	2	-	2	-	-----	QME2,QSC9,QSE8,QXB6,SME1
12	87529-Z4S-820	MARK, CONTROL BOX (EXP)	1	-	1	-	-----	QME2,QSC9,QSE8,QXB6,SME1
13	90013-883-000	BOLT, FLANGE, 6X12(CT200) ...	2	-	2	-	-----	QME2,QSC9,QSE8,QXB6,SME1
14	90380-MA6-010	SCREW, SPECIAL, 6X12	1	-	1	-	-----	QME2,QSC9,QSE8,QXB6,SME1
15	90630-751-000	CLIP, PURSE LOCK	1	-	2	-	-----	QME2,QSC9,QSE8,QXB6,SME1
16	90672-SAO-003	STRAP, CABLE, 118MM(BLACK) ..	1	-	1	-	-----	QME2,QSC9,QSE8,QXB6,SME1
17	91406-ZE2-003	TUBE, FASTENER, 30MM	1	-	1	-	-----	QME2,QSC9,QSE8,QXB6,SME1
18	93500-04012-OH	SCREW, PAN, 4X12	1	-	1	-	-----	QME2,QSC9,QSE8,QXB6,SME1

2



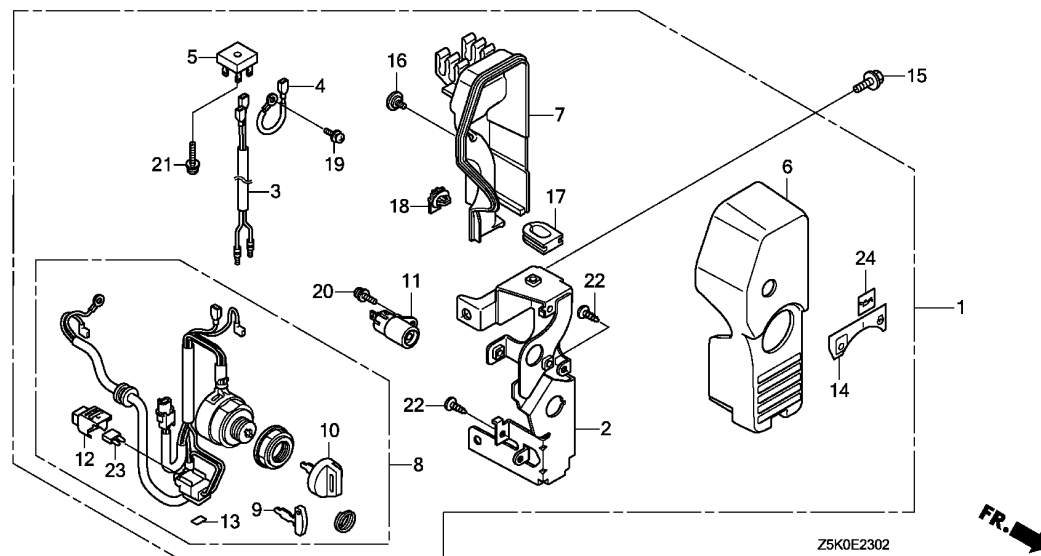
Ref. No.	Part No.	Description	Reqd. QTY				Serial No.	Parts catalogue code
			GX 270	GX 270	GX 270	GX 270		
19	94001-04390-0S	NUT, HEX., 4MM	2	-	1	-	-----	QME2,QSC9,QSE8,QXB6,SME1
20	94101-04800	WASHER, PLAIN, 4MM	1	-	-	-	-----	QME2,QSC9,QSE8,QXB6,SME1
21	94111-04800	WASHER, SPRING, 4MM	1	-	1	-	-----	QME2,QSC9,QSE8,QXB6,SME1
22	98200-31500	FUSE, BLADE (15A)	1	-	1	-	-----	QME2,QSC9,QSE8,QXB6,SME1
23	31610-Z5K-831ZB	BOX ASSY., CONTROL (EXP-ALERT) (10A)	-	-	-	-	-----	-
		R280.....POWER RED	-	-	1	-	-----	QME2



E-23-2

CONTROL BOX(3)

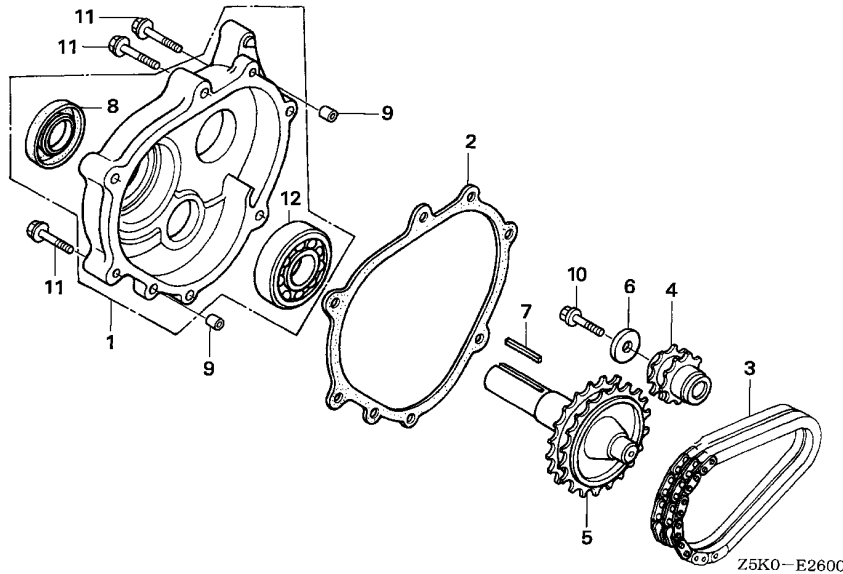
J11



Ref. No.	L.O.N.	(Relative ref. Number) Description	F.R.T.
1	6221N7	BOX, ENGINE CONTROL	0.1
5	6221L0	RECTIFIER, CONTROL BOX	0.2
8	6151E1	SWITCH, COMBINATION	0.2
11	6221C2	INDICATOR	0.2
23	8121A9	FUSE, MINI	0.1

Ref. No.	Part No.	Description	Reqd. QTY				Serial No.	Parts catalogue code
			GX 270	GX 270	GX 270	GX 270		
			UT	RT	UT2	RT2		
1	31610-Z5T-W00	BOX ASSY., CONTROL	-	-	1	-	QZA2,QZX4,VZX7	
2	31614-Z5T-W00	BRACKET, SWITCH BOX	-	-	1	-	QZA2,QZX4,VZX7	
3	31711-Z5T-W00	CORD, CHARGE COIL	-	-	1	-	QZA2,QZX4,VZX7	
4	31712-Z5T-W00	CORD, EARTH	-	-	1	-	QZA2,QZX4,VZX7	
5	31713-Z5T-W01	RECTIFIER COMP.	-	-	1	-	QZA2,QZX4,VZX7	
6	32346-Z5T-W00	PANEL, CONTROL	-	-	1	-	QZA2,QZX4,VZX7	
7	32612-Z5T-W00	COVER, CONTROL	-	-	1	-	QZA2,QZX4,VZX7	
8	35100-Z5T-W01	SWITCH ASSY., COMBINATION (IND)	-	-	1	-	QZA2,QZX4,VZX7	
9	35110-Z5T-W01	KEY COMP.	-	-	1	-	QZA2,QZX4,VZX7	
10	35110-Z5T-W11	KEY ASSY., COMBINATION SWITCH	-	-	1	-	QZA2,QZX4,VZX7	
11	37150-Z5T-W01	INDICATOR ASSY.	-	-	1	-	QZA2,QZX4,VZX7	
12	38216-Z2E-003	COVER ASSY., FUSE	-	-	1	-	QZA2,QZX4,VZX7	
13	87117-Z2E-800	LABEL, FUSE (30A)	-	-	1	-	QZA2,QZX4,VZX7	
14	87501-Z5T-W00	MARK, ENGINE SWITCH	-	-	1	-	QZA2,QZX4,VZX7	
15	90013-883-000	BOLT, FLANGE, 6X12(CT200)	-	-	2	-	QZA2,QZX4,VZX7	
16	90380-MB2-000	SCREW, SPECIAL, 6X8	-	-	1	-	QZA2,QZX4,VZX7	
17	90601-Z5T-W00	GROMMET, CONTROL BOX	-	-	1	-	QZA2,QZX4,VZX7	
18	91565-SEL-003	CLIP, COUPLER (BLACK)	-	-	1	-	QZA2,QZX4,VZX7	
19	93891-04008-08	SCREW-WASHER, 4X8	-	-	1	-	QZA2,QZX4,VZX7	
20	93891-04010-08	SCREW-WASHER, 4X10	-	-	1	-	QZA2,QZX4,VZX7	
21	93893-04020-08	SCREW-WASHER, 4X20	-	-	1	-	QZA2,QZX4,VZX7	
22	93913-24310	SCREW, TAPPING, 4X14(PO)	-	-	2	-	QZA2,QZX4,VZX7	
23	98200-43000	FUSE, MINI (30A)	-	-	1	-	QZA2,QZX4,VZX7	
24	87594-Z5T-W00	MARK, OIL CAUTION	-	-	1	-	QZA2,QZX4,VZX7	

2



Ref. No.	L.O.N.	(Relative ref. Number) Description	F.R.T.
1		(2) COVER, CHAIN CASE AND/OR PACKING, CHAIN CASE COVER (L-TYPE)	0.2
3	2141W2	CHAIN, POWER TAKE OFF DRIVE (L-TYPE)	0.2
4	2141X0	SPROCKET, POWER TAKE OFF DRIVE CHAIN(L-TYPE)	0.2
5	2141V7	SHAFT, POWER TAKE OFF(L-TYPE)	0.2
8	2141X3	OIL SEAL, POWER TAKE OFF SHAFT (L-TYPE) :REAR	0.3
12	2141X8	BEARING, POWER TAKE OFF SHAFT (L-TYPE) :REAR	0.4

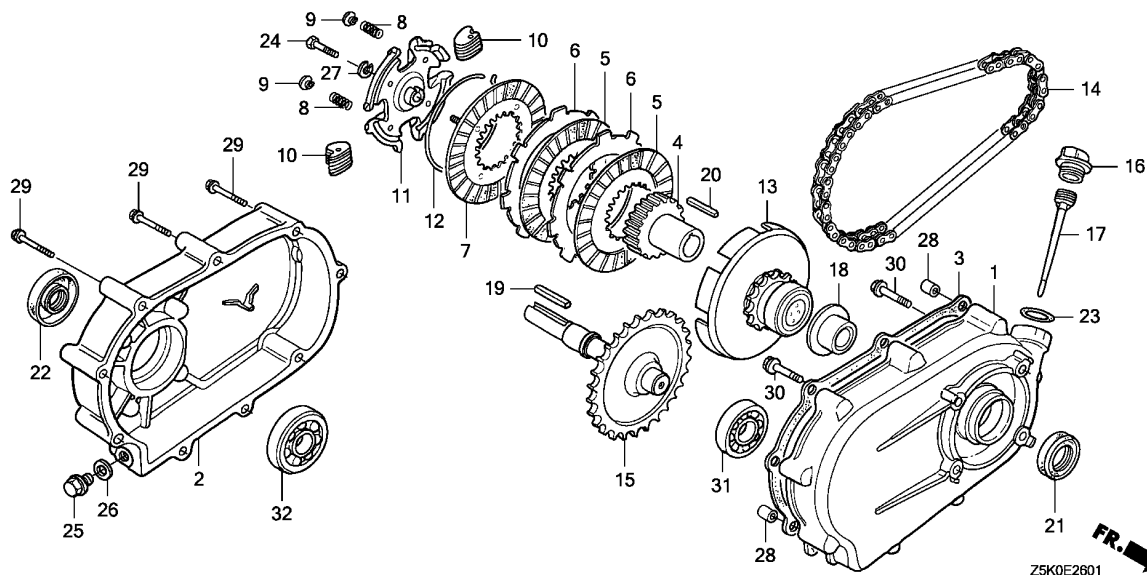
Ref. No.	Part No.	Description	Reqd. QTY				Serial No.	Parts catalogue code
			GX 270 UT	GX 270 RT	GX 270 UT2	GX 270 RT2		
1	11500-ZE2-610	COVER ASSY., CHAIN CASE	1	-	1	-	----- LXE8,LXU	
	11500-Z8S-610	1	-	-	-	----- LXQ4	
2	11521-ZE2-800	PACKING, CHAIN CASE COVER	1	-	1	-	----- LXE8,LXQ4,LXU	
3	14411-ZE2-611	CHAIN, P.T.O. DRIVE	1	-	1	-	----- LXE8,LXQ4,LXU	
4	23110-ZE2-610	SPROCKET, DRIVE (14T)	1	-	1	-	----- LXE8,LXQ4,LXU	
5	23710-ZE2-610	SHAFT, P.T.O. (28T)	1	-	1	-	----- LXE8,LXQ4,LXU	
6	90473-842-000	WASHER, 8MM	1	-	1	-	----- LXE8,LXQ4,LXU	
7	90741-805-000	KEY, 7X7X33	1	-	1	-	----- LXE8,LXQ4,LXU	
	90741-889-810	KEY, 7X7X33(YELLOW)(O/S)	(1)	-	(1)	-	----- LXE8,LXQ4,LXU	
8	91201-890-003	OIL SEAL, 30X46X8	1	-	1	-	----- LXE8,LXU	
	91201-Z1D-003	1	-	-	-	----- LXQ4	
9	94301-08140	DOWEL PIN, 8X14	2	-	2	-	----- LXE8,LXQ4,LXU	
10	95701-08025-00	BOLT, FLANGE, 8X25	1	-	1	-	----- LXE8,LXQ4,LXU	
11	95701-08040-00	BOLT, FLANGE, 8X40	6	-	6	-	----- LXE8,LXQ4,LXU	
12	96100-62060-00	BEARING, RADIAL BALL, 6206 ..	1	-	1	-	----- LXE8,LXQ4,LXU	



E-26-1

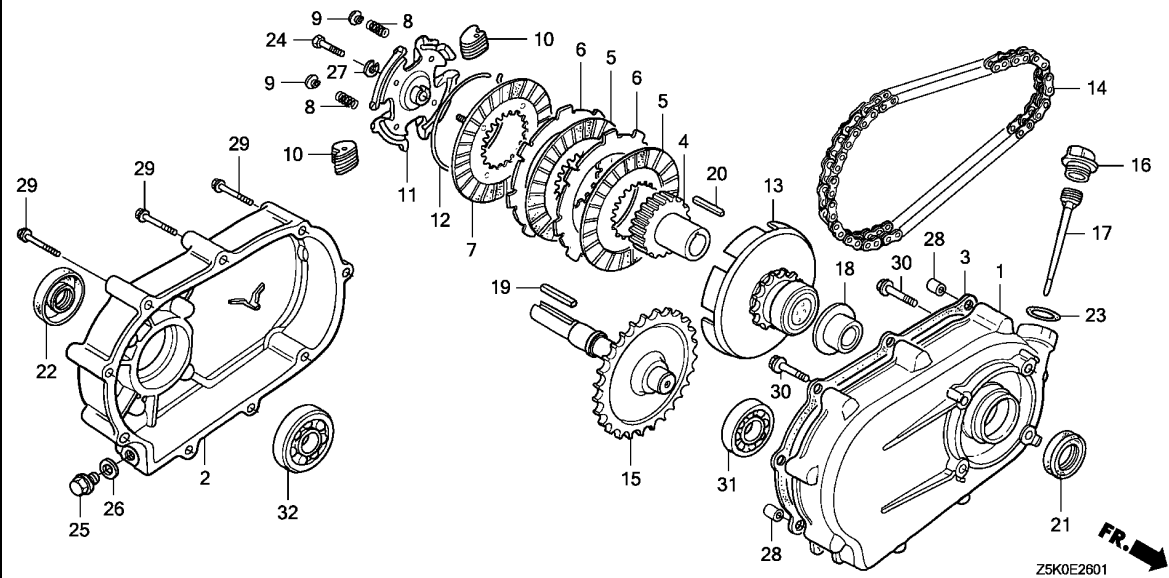
REDUCTION(1/2)(CLUTCH)

J13



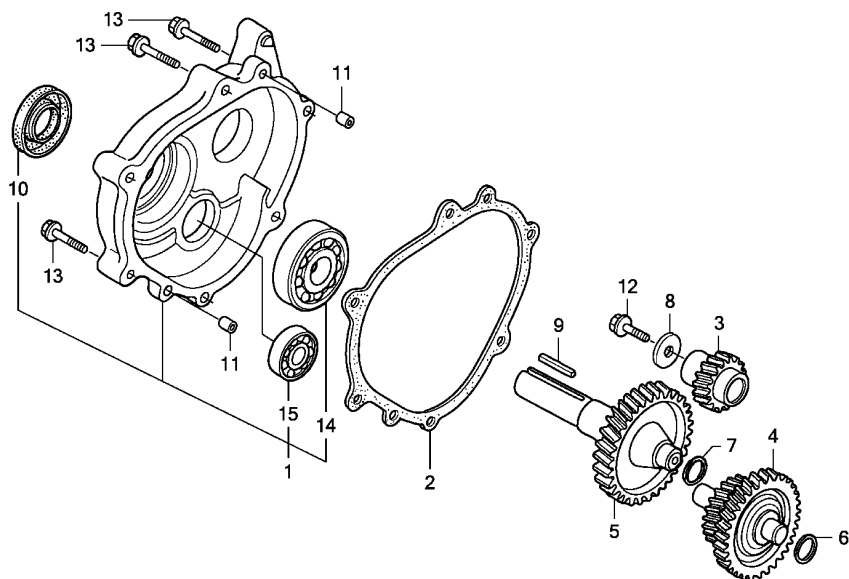
Ref. No.	L.O.N.	(Relative ref. Number) Description	F.R.T.
1	2141Y6	CASE, REDUCTION(R-TYPE)	0.3
2	2141W7	COVER, REDUCTION AND/OR PACKING, REDUCTION COVER (R-TYPE)	0.3
3	2141R2	PACKING, REDUCTION COVER	0.2
5	2141Z0	DISC, REDUCTION CLUTCH FRICTION	0.2
6	2141Z1	PLATE, REDUCTION CLUTCH	0.2
7	2141Z2	PLATE, REDUCTION CLUTCH PRESSURE	0.3
11	2121F5	HOLDER, CLUTCH WEIGHT	0.2
14	2141W3	CHAIN, POWER TAKE OFF DRIVE (R-TYPE)	0.3
15	2141V8	SHAFT, POWER TAKE OFF(R-TYPE)	0.3
21	2141AB	OIL SEAL, REDUCTION CASE	0.3
22	2141X4	OIL SEAL, POWER TAKE OFF SHAFT (R-TYPE) :REAR	0.3
31	2141Y5	BEARING, POWER TAKE OFF SHAFT (R-TYPE) :FRONT	0.4
32	2141X9	BEARING, POWER TAKE OFF SHAFT (R-TYPE) :REAR	0.4

Ref. No.	Part No.	Description	Reqd. QTY				Serial No.	Parts catalogue code
			GX 270	GX 270	GX 270	GX 270		
			UT	RT	UT2	RT2		
1	21510-889-750	CASE, REDUCTION	1	1	1	1	RA2,RHE2,RHE4,RHG4,RHQ4,RH26,RSC2,RXQ4,RXU	
2	21610-889-750	COVER, REDUCTION	1	1	1	1	RA2,RHE2,RHE4,RHG4,RHQ4,RH26,RSC2,RXQ4,RXU	
3	21691-889-750	PACKING, REDUCTION COVER	1	1	1	1	RA2,RHE2,RHE4,RHG4,RHQ4,RH26,RSC2,RXQ4,RXU	
4	22121-889-750	CENTER, CLUTCH (28T)	1	1	1	1	RA2,RHE2,RHE4,RHG4,RHQ4,RH26,RSC2,RXQ4,RXU	
5	22201-822-610	DISK, CLUTCH FRICTION	2	2	2	2	RA2,RHE2,RHE4,RHG4,RHQ4,RH26,RSC2,RXQ4,RXU	
6	22311-822-610	PLATE, CLUTCH	2	2	2	2	RA2,RHE2,RHE4,RHG4,RHQ4,RH26,RSC2,RXQ4,RXU	
7	22350-822-610	PLATE COMP., CLUTCH PRESSURE	1	1	1	1	RA2,RHE2,RHE4,RHG4,RHQ4,RH26,RSC2,RXQ4,RXU	
8	22411-822-611	SPRING, CLUTCH FREE	4	4	4	4	RA2,RHE2,RHE4,RHG4,RHQ4,RH26,RSC2,RXQ4,RXU	
9	22421-822-610	HOLDER, CLUTCH SPRING	4	4	4	4	RA2,RHE2,RHE4,RHG4,RHQ4,RH26,RSC2,RXQ4,RXU	
10	22521-822-610	WEIGHT, CLUTCH	48	48	48	48	RA2,RHE2,RHE4,RHG4,RHQ4,RH26,RSC2,RXQ4,RXU	
11	22531-889-750	HOLDER, CLUTCH WEIGHT	1	1	1	1	RA2,RHE2,RHE4,RHG4,RHQ4,RH26,RSC2,RXQ4,RXU	
12	22535-822-610	CENTER, CLUTCH WEIGHT	1	1	1	1	RA2,RHE2,RHE4,RHG4,RHQ4,RH26,RSC2,RXQ4,RXU	
13	23120-889-750	SPROCKET COMP., DRIVE (14T)	1	1	1	1	RA2,RHE2,RHE4,RHG4,RHQ4,RH26,RSC2,RXQ4,RXU	
14	23161-822-611	CHAIN, DRIVE (RK428SH-36LE)	1	1	1	1	RA2,RHE2,RHE4,RHG4,RHQ4,RH26,RSC2,RXQ4,RXU	
15	23711-822-610	SHAFT COMP., P.T.O. (28T)	1	1	1	1	RA2,RHE2,RHE4,RHG4,RHQ4,RH26,RSC2,RXQ4,RXU	
16	25620-805-612	CAP, REDUCTION OIL (GRAY)	1	1	1	1	RA2,RHE2,RHE4,RHG4,RHQ4,RH26,RSC2,RXQ4,RXU	
17	25651-889-750	GAUGE, OIL LEVEL	1	1	1	1	RA2,RHE2,RHE4,RHG4,RHQ4,RH26,RSC2,RXQ4,RXU	
18	90403-889-000	WASHER, THRUST, 25MM	1	1	1	1	RA2,RHE2,RHE4,RHG4,RHQ4,RH26,RSC2,RXQ4,RXU	
19	90741-805-000	KEY, 7X7X33	1	1	1	1	RA2,RHE2,RHE4,RHG4,RHQ4,RH26,RSC2,RXQ4,RXU	
	90741-889-810	KEY, 7X7X33(YELLOW)(O/S)	(1)	(1)	(1)	(1)	RA2,RHE2,RHE4,RHG4,RHQ4,RH26,RSC2,RXQ4,RXU	
20	90741-889-000	KEY, CLUTCH CENTER	1	1	1	1	RA2,RHE2,RHE4,RHG4,RHQ4,RH26,RSC2,RXQ4,RXU	
21	91201-890-003	OIL SEAL, 30X46X8	1	1	1	1	RA2,RHE2,RHE4,RHG4,RHQ4,RH26,RSC2,RXQ4,RXU	
22	91202-22F-801	OIL SEAL, 30X50X7	1	1	1	1	RA2,RHE2,RHE4,RHG4,RHQ4,RH26,RSC2,RXQ4,RXU	
23	91301-805-000	O-RING, 26X2.7	1	1	1	1	RA2,RHE2,RHE4,RHG4,RHQ4,RH26,RSC2,RXQ4,RXU	
24	92101-08035-0A	BOLT, HEX., 8X35	1	1	1	1	RA2,RHE2,RHE4,RHG4,RHQ4,RH26,RSC2,RXQ4,RXU	



Z5K0E2801

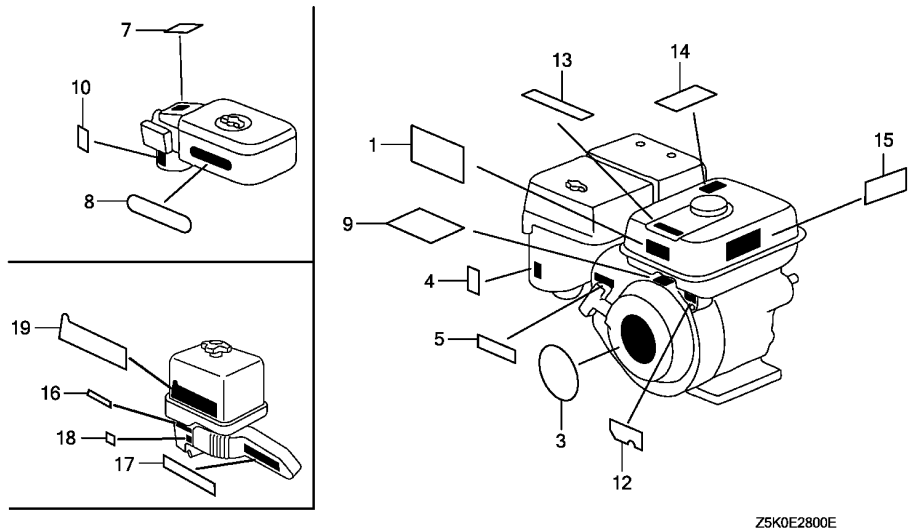
Ref. No.	Part No.	Description	Reqd. QTY				Serial No.	Parts catalogue code
			GX 270 UT	GX 270 RT	GX 270 UT2	GX 270 RT2		
25	92800-12000	BOLT, DRAIN PLUG, 12MM	1	1	1	1	-----	RA2,RHE2,RHE4,RHG4,RHQ4,RH26,RSC2,RXQ4,RXU
26	94109-12000	WASHER, DRAIN PLUG, 12MM	1	1	1	1	-----	RA2,RHE2,RHE4,RHG4,RHQ4,RH26,RSC2,RXQ4,RXU
27	94111-08800	WASHER, SPRING, 8MM	1	1	1	1	-----	RA2,RHE2,RHE4,RHG4,RHQ4,RH26,RSC2,RXQ4,RXU
28	94301-08140	DOWEL PIN, 8X14	2	2	2	2	-----	RA2,RHE2,RHE4,RHG4,RHQ4,RH26,RSC2,RXQ4,RXU
29	95701-06050-08	BOLT, FLANGE, 6X50	9	9	9	9	-----	RA2,RHE2,RHE4,RHG4,RHQ4,RH26,RSC2,RXQ4,RXU
30	95701-08032-08	BOLT, FLANGE, 8X32	4	4	4	4	-----	RA2,RHE2,RHE4,RHG4,RHQ4,RH26,RSC2,RXQ4,RXU
31	96100-62050-00	BEARING, RADIAL BALL, 6205 ..	1	1	1	1	-----	RA2,RHE2,RHE4,RHG4,RHQ4,RH26,RSC2,RXQ4,RXU
32	96100-62060-00	BEARING, RADIAL BALL, 6206 ..	1	1	1	1	-----	RA2,RHE2,RHE4,RHG4,RHQ4,RH26,RSC2,RXQ4,RXU



Ref. No.	L.O.N.	(Relative ref. Number) Description	F.R.T.
1		(2) COVER, REDUCTION AND/OR PACKING, REDUCTION COVER (H-TYPE)	0.2
3	2141L2	GEAR, PRIMARY DRIVE	0.2
4	2141Z9	COUNTERSHAFT, REDUCTION (H-TYPE)	0.2
5	2141V9	SHAFT, POWER TAKE OFF(H-TYPE)	0.2
10	2141X5	OIL SEAL, POWER TAKE OFF SHAFT (H-TYPE) :REAR	0.3
14	2141Y0	BEARING, POWER TAKE OFF SHAFT (H-TYPE) :REAR	0.4
15	2141AA	BEARING, REDUCTION COUNTERSHAFT(H-TYPE) :REAR ..	0.4

FR. Z5K0E2602

Ref. No.	Part No.	Description	Reqd. QTY				Serial No.	Parts catalogue code
			GX 270	GX 270	GX 270	GX 270		
1	11500-Z8S-620	COVER ASSY., REDUCTION CASE ..	1	-	1	-	HA2,HEA2,HEA8,HKS8,HXQ4,HX26,HX8	
2	11521-ZE2-800	PACKING, CHAIN CASE COVER ..	1	-	1	-	HA2,HEA2,HEA8,HKS8,HXQ4,HX26,HX8	
3	22103-ZE2-620	GEAR, PRIMARY DRIVE (17T) ...	1	-	1	-	HA2,HEA2,HEA8,HKS8,HXQ4,HX26,HX8	
4	23220-ZE2-621	COUNTERSHAFT COMP. (18T/40T)	1	-	1	-	HA2,HEA2,HEA8,HKS8,HXQ4,HX26,HX8	
5	23710-ZE2-621	SHAFT, P.T.O. (46T)	1	-	1	-	HA2,HEA2,HEA8,HKS8,HXQ4,HX26,HX8	
6	90401-ZE2-620	SHIM A	N	-	N	-	HA2,HEA2,HEA8,HKS8,HXQ4,HX26,HX8	
7	90402-ZE2-620	SHIM B	N	-	N	-	HA2,HEA2,HEA8,HKS8,HXQ4,HX26,HX8	
8	90473-842-000	WASHER, 8MM	1	-	1	-	HA2,HEA2,HEA8,HKS8,HXQ4,HX26,HX8	
9	90745-ZE2-600	KEY, 6.3X6.3X43	1	-	1	-	HA2,HEA2,HEA8,HKS8,HXQ4,HX26,HX8	
10	91201-Z1D-003	OIL SEAL, 30X46X8	1	-	1	-	HA2,HEA2,HEA8,HKS8,HXQ4,HX26,HX8	
11	94301-08140	DOWEL PIN, 8X14	2	-	2	-	HA2,HEA2,HEA8,HKS8,HXQ4,HX26,HX8	
12	95701-08025-00	BOLT, FLANGE, 8X25	1	-	1	-	HA2,HEA2,HEA8,HKS8,HXQ4,HX26,HX8	
13	95701-08040-00	BOLT, FLANGE, 8X40	6	-	6	-	HA2,HEA2,HEA8,HKS8,HXQ4,HX26,HX8	
14	96100-62060-00	BEARING, RADIAL BALL, 6206 ..	1	-	1	-	HA2,HEA2,HEA8,HKS8,HXQ4,HX26,HX8	
15	96100-63020-00	BEARING, RADIAL BALL, 6302 ..	1	-	1	-	HA2,HEA2,HEA8,HKS8,HXQ4,HX26,HX8	



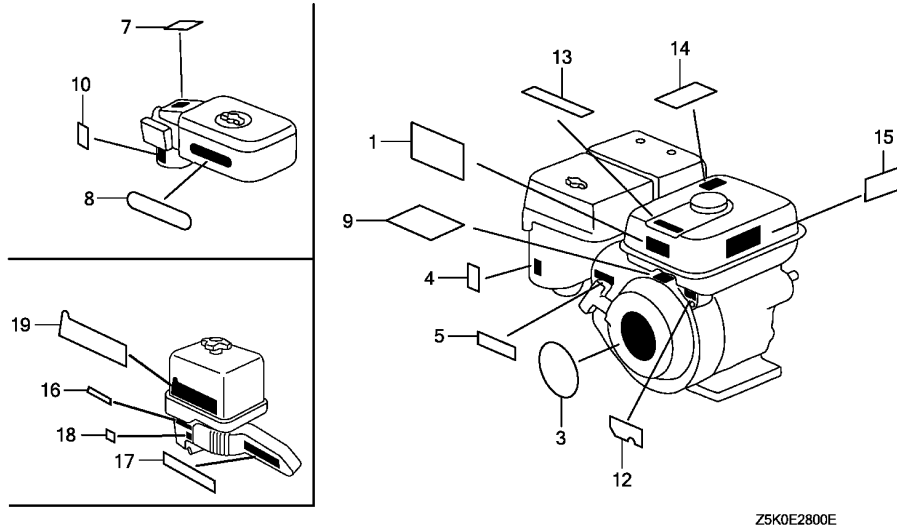
Z5K0E2800E

Ref. No.	L.O.N.	(Relative ref. Number) Description	F.R.T.
----------	--------	------------------------------------	--------

NO INFORMATION

Ref. No.	Part No.	Description	Reqd. QTY				Serial No.	Parts catalogue code
			GX 270 UT	GX 270 RT	GX 270 UT2	GX 270 RT2		
1	87516-Z4H-000	MARK, OPERATOR CAUTION (ENGLISH)(MADE IN THAI)	1	-	-	-	-----	HA2,HEA2,HEA8,HKS8,HXQ4,HX26,HX8,LXE8,LXQ4,LXU,PAE2,PA2,PXED PX8,PXU,PX26,QAE2,QAE6,QAG2,QAQ4,QAR2,QAW,QA2,QA26,QE,QHB4 QH4,QH26,QME2,QSC9,QSE8,QWA4,QWH2,QXB6,QXB7,QXB9,QXC4,QXC6 QXC9,QXE4,QXE8,QXQ4,QXU,QXUZ,RA2,RHE4,RHQ4,RH26,RXQ4,RXU,SHQ4 SMC4,SME1,SME6,SWA4,SWC4,SWS4,SB7,SB9,SXE4,SXE8,SXQ4,SXU,VA2 VKQ4,VSD7,VSD9,VXB7,VXB9,VXE6,VXE7,VXE9,VXQ4,VXU1,VX2
	87516-Z4H-810	MARK, OPERATOR CAUTION (PICTOGRAPH)(MADE IN THAI)	(1)	-	-	-	-----	HA2,HEA2,HEA8,HKS8,HXQ4,HX26,HX8,LXE8,LXQ4,LXU,PAE2,PA2,PXED PX8,PXU,PX26,QAE2,QAE6,QAG2,QAQ4,QAR2,QAW,QA2,QA26,QE,QHB4 QH4,QH26,QME2,QSC9,QSE8,QWA4,QWH2,QXB6,QXB7,QXB9,QXC4 QXC6,QXC9,QXE4,QXE8,QXQ4,QXU,QXUZ,RA2,RHE4,RHQ4,RH26,RXQ4,RXU SHQ4,SMC4,SME1,SME6,SWA4,SWC4,SWS4,SB7,SB9,SXE4,SXE8,SXQ4 SXU,VA2,VKQ4,VSD7,VSD9,VXB7,VXB9,VXE6,VXE7,VXE9,VXQ4,VXU1,VX2
	87516-Z4H-010	MARK, OPERATOR CAUTION (ENGLISH)(MADE IN THAI)	1	-	-	-	-----	QXB2,QXC2,RHE2,SMC2,SWA2
	87519-Z4H-000	MARK, OPERATOR CAUTION (PICTOGRAPH)	1	-	-	-	-----	QA4,QXCU
3	87521-ZH9-030	EMBLEM (GX270 9.0)	1	-	-	-	1085869	LXE8,LXU,PX8,PXU,QAG2,QA2,QA26,QH4,QH26,QSE8,QXB7,QXC9,QXE8 QXQ4,QXU,SHQ4,SXE8,SXQ4,SXU,VKX4,VN17,VPX4,VPX5,VPX9,VSD7,VSH7 VS37,VS39,VVA2,VXB7,VXB9,VXQ4,VXU1,VX2



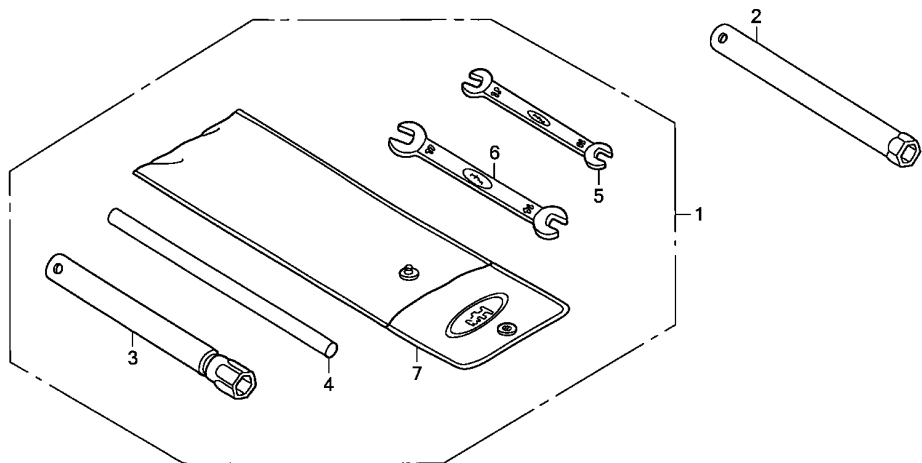


Z5K0E2800E

Ref. No.	Part No.	Description	Reqd. QTY				Serial No.	Parts catalogue code
			GX 270 UT	GX 270 RT	GX 270 UT2	GX 270 RT2		
(3)	87521-ZH9-040	EMBLEM (GX270)	1	-	-	-	HA2,HEA2,HEA8,HKS8,HXQ4,HX26,HX8,LXQ4,PAE2,PA2,PXED,PX26,QAE2,QA6,QAQ4,QAR2,QAW,QA4,QE,QHB4,QME2,QSC9,QWA4,QWH2,QXB2,QXB6,QXB9,QXCU,QXC2,QXC4,QXC6,QXE4,QXUZ,RA2,RHE2,RHE4,RHG4,RHQ4,RH26,RXQ4,RXU,SMC2,SMC4,SME1,SME6,SWA2,SWA4,SWC4,SWS4,SXB7,SXB9,SXE4,VA2,VKQ4,VMA4,VME4,VSD9,VXE6,VXE7,VXE9	
			1	-	-	1085870	LXE8,LXU,PXE8,PXU,QAG2,QA2,QA26,QHQ4,QH26,QSE8,QXB7,QXC9,QXE8,QXQ4,QXU,SHQ4,SXE8,SXQ4,SXU,VKX4,VN17,VPX4,VPX5,VPX9,VSD7,VSH7,VS37,VS39,VWA2,VXB7,VXB9,VXQ4,VXU1,VX2	
	87521-Z5K-000		-	1	-	-	HA2,HEA2,HKS8,HX26,LXU,PAE2,PA2,QAE2,QAG2,QAQ4,QAR2,QAW,QA2,QA26,QA4,QE,QHB4,QHQ4,QH26,QME2,QXB7,QXB9,QXE4,QXE8,QXQ4,QXUZ,RA2,RHE4,RHQ4,RH26,SHQ4,SMC4,SWA4,SWC4,SXB7,SXB9,SXE4,SXQ4,SXU,VA2,VKQ4,VSD7,VXB7,VXE7,VXU1	
4	87528-ZH7-000	MARK, CHOKE (GRAY)	1	1	-	-	HA2,HEA2,HEA8,HKS8,HXQ4,HX26,HX8,LXE8,LXQ4,LXU,PAE2,PA2,PXED,PXE8,PXU,PX26,QAE2,QA6,QAG2,QAQ4,QAR2,QAW,QA2,QA26,QA4,QE,QHB4,QHQ4,QH26,QME2,QSE8,QXB2,QXB6,QXB7,QXB9,QXE4,QXE8,QXQ4,QXU,QXUZ,RA2,RHE2,RHE4,RHG4,RHQ4,RH26,RSC2,RXQ4,RXU,SHQ4,SMC2,SMC4,SME1,SME6,SWA2,SWA4,SWC4,SWS4,SXB7,SXB9,SXE4,SXE8,SXQ4,SXU,VAG2,VA2,VDE2,VKB2,VKQ4,VNT2,VN17,VSD7,VSD9,VSH7,VWA2,VWN2,VWT4,VW12,VXB7,VXB9,VXE6,VXE7,VXE9,VXQ4,VXU1,VX2	
	87528-Z5T-000	MARK, CHOKE	-	-	1	-	HA2,HEA2,HKS8,HX26,LXU,PAE2,PA2,QAE2,QAG2,QAQ4,QAR2,QAW,QA2,QA26,QA4,QE,QHB4,QHQ4,QH26,QME2,QXB7,QXB9,QXE4,QXE8,QXQ4,QXUZ,RA2,RHE4,RHQ4,RH26,SHQ4,SMC4,SWA4,SWC4,SXB7,SXB9,SXE4,SXQ4,SXU,VA2,VKQ4,VSD7,VXB7,VXE7,VXU1	
			-	-	-	1		

Ref. No.	Part No.	Description	Reqd. QTY				Serial No.	Parts catalogue code
			GX 270 UT	GX 270 RT	GX 270 UT2	GX 270 RT2		
5	87532-ZH7-000	MARK, THROTTLE INDICATION ...	1	1	1	1	-----	HA2,HEA2,HEA8,HKS8,HXQ4,HX26,HX8,LXE8,LXQ4,LXU,PAE2,PA2,PXED PX8,PXU,PX26,QAE2,QAE6,QAG2,QAQ4,QAR2,QAW,QA2,QA26,QA4,QE QHB4,QHQ4,QH26,QME2,QSC9,QSE8,QWA4,QWH2,QXB2,QXB6,QXB7,QXB9 QXCU,QXC2,QXC4,QXC6,QXC9,QXE4,QXE8,QXQ4,QXU,QXUZ,RA2,RHE2,RHE4 RHG4,RHQ4,RH26,RSC2,RXQ4,RXU,SHQ4,SMC2,SMC4,SME1,SME6,SWA2 SWA4,SWC4,SWS4,SXB7,SXB9,SXE4,SXE8,SXQ4,SXU,VA2,VDE2,VKQ4,VMA4 VME4,VN17,VWN2,VXB7,VXB9,VXE6,VXE7,VXE9,VXQ4,VX2
7	87534-ZE1-841	LABEL, AIR CLEANER CAUTION ..	1	-	-	-	-----	QSC9,QWA4,QWH2,QXCU,QXC4,QXC6,QXC9
8	87535-ZE1-841	MARK, AIR CLEANER SALES POINT	1	-	-	-	-----	QSC9,QWA4,QWH2,QXCU,QXC2,QXC4,QXC6,QXC9,VMA4,VME4
9	87516-Z4H-000	MARK, OPERATOR CAUTION (ENGLISH)(MADE IN THAI)	1	1	-	-	-----	RHG4,RSC2,VAG2,VDE2,VKX4,VNT2,VN17,VPE4,VPE5,VPX4,VPX5,VPX9 VSH7,VS37,VS39,VWA2,VWN2,VWT4,VW12
	87516-Z4H-810	MARK, OPERATOR CAUTION (PICTOGRAPH)(MADE IN THAI)	(1)	(1)	-	-	-----	RHG4,RSC2,VAG2,VDE2,VKB2,VKE4,VKX4,VMA4,VME4,VNT2,VN17,VPE4 VPE5,VPX4,VPX5,VPX9,VSH7,VS37,VS39,VWA2,VWN2,VWT4,VW12
	87516-Z4H-010	MARK, OPERATOR CAUTION (ENGLISH)(MADE IN THAI)	-	1	-	-	-----	VPE2
	87519-Z4H-000	MARK, OPERATOR CAUTION (PICTOGRAPH)	-	-	-	1	-----	RSC2,VDE2,VNT2,VN17
10	87528-ZH7-000	MARK, CHOKE (GRAY)	1	-	-	-	-----	VWT4 QSC9,QWA4,QWH2,QXCU,QXC2,QXC4,QXC6,QXC9,VMA4,VME4
12	87532-ZH9-W41	MARK, ENGINE SWITCH	1	1	-	-	-----	VS37,VS39
13	87565-ZE2-810	MARK, FUEL INDICATION (ENGLISH)	1	-	-	-	-----	QKE4,QSC9,VKQ4
	87565-ZE2-811	MARK, FUEL INDICATION (PICTOGRAPH)	-	-	1	-	-----	QKE4
14	87539-Z0J-000	MARK, EX. CAUTION (ENGLISH) -	1	-	1	-	-----	QXB2,QXC2,QZA2,RHE2,SMC2,SWA2 HA2,HEA2,HKS8,HX26,LXU,PAE2,PA2,QAE2,QAG2,QAR2,QAW,QA2,QA26 QH26,QXE8,QXUZ,RA2,RH26,SXU,VA2,VXU1
15	87516-Z4H-010	MARK, OPERATOR CAUTION (ENGLISH)(MADE IN THAI)	-	-	1	-	-----	HA2,HEA2,HKS8,HX26,LXU,PAE2,PA2,QAE2,QAG2,QAR2,QAW,QA2,QA26 QH26,QXE8,QXUZ,QZA2,RA2,RH26,SXU,VA2,VXU1
	87519-Z4H-000	MARK, OPERATOR CAUTION (PICTOGRAPH)	-	-	1	-	-----	QAQ4,QA4,QE,QHB4,QHQ4,QME2,QXB7,QXB9,QXE4,QXQ4,QZX4,RHE4,RHQ4 SHQ4,SMC4,SWA4,SWC4,SXB7,SXE4,SXQ4,VKQ4,VSD7,VXB7,VXE7,VZX7
16	87528-Z2E-800	MARK, CHOKE	-	-	1	-	-----	QZA2,QZX4,VZX7
17	87531-Z5K-W00	MARK, HONDA	-	-	1	-	-----	QZA2,QZX4,VZX7
18	87565-Z5T-W00	MARK, FUEL	-	-	1	-	-----	QZA2,QZX4,VZX7
19	87602-Z5K-W00	MARK, SALES POINT	-	-	1	-	-----	QZA2,QZX4,VZX7



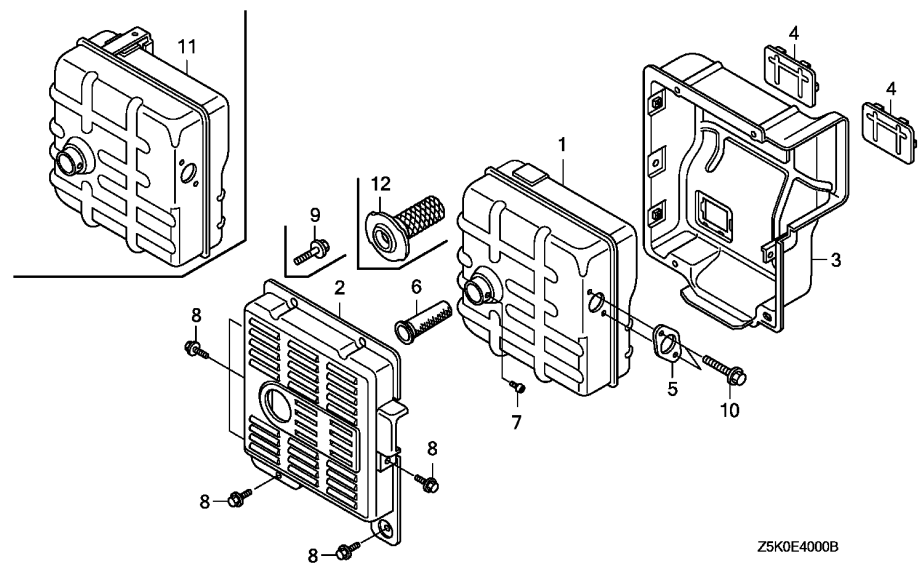


Z5K0E2900

Ref. L.O.N. (Relative ref. Number) F.R.T.
No. Description

NO INFORMATION

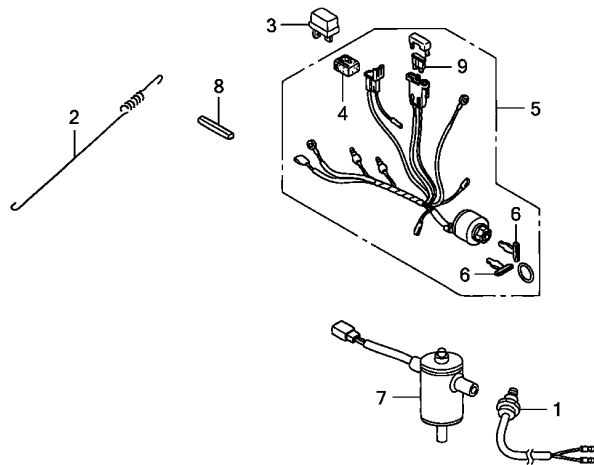
Ref. No.	Part No.	Description	Reqd. QTY				Serial No.	Parts catalogue code
			GX 270 UT	GX 270 RT	GX 270 UT2	GX 270 RT2		
1	89000-ZE1-000	TOOL KIT	1	-	1	-	-----	VKQ4
2	89216-Z0T-800	WRENCH, SPARK PLUG	1	1	1	-	-----	QSC9, SMC2, SMC4, VKX4
			(1)	(1)	(1)	(1)	-----	HA2, HEA2, HEA8, HKS8, PAE2, PA2, QAE2, QAE6, QAG2, QAQ4, QAR2, QAW, QA26 QE, QZA2, RA2, RSC2, VAG2, VA2, VKB2, VNT2, VN17, VWA2, VWN2, VW12
3	89218-ZE1-000	WRENCH COMP., SPARK PLUG	-	1	(1)	1	-----	QA2, QA4, VDE2, VKE4
			1	-	1	-	-----	VKQ4
			(1)	-	-	-	-----	QA2, QA4
4	89219-805-000	HANDLE, BOX WRENCH	1	-	1	-	-----	VKQ4
5	99001-10120	SPANNER, 10X12	1	-	1	-	-----	VKQ4
6	99001-14170	SPANNER, 14X17	1	-	1	-	-----	VKQ4
7	99008-02300	BAG, TOOL, 230MM	1	-	1	-	-----	VKQ4



Ref. No.	L.O.N.	(Relative ref. Number) Description	F.R.T.
1		(11)	
1	3131C5	MUFFLER, EXHAUST	0.2
2	3131D9	PROTECTOR, EXHAUST MUFFLER : OUTER	0.1
3	3131D8	PROTECTOR, EXHAUST MUFFLER : INNER	0.2
4	3131G6	SEAL, MUFFLER PROTECTOR	0.2
6		(12)	
	3131A1	ARRESTER, SPARK	0.2
		.INCLUDES: Spark arrester check	

Ref. No.	Part No.	Description	Reqd. QTY				Serial No.	Parts catalogue code
			GX 270 UT	GX 270 RT	GX 270 UT2	GX 270 RT2		
1	18310-ZE2-V60	MUFFLER COMP. (TSURUMI)	1	1	-	-	VKX4	
	18310-Z8W-V60	-	1	-	-	VKE4	
2	18320-ZB4-000	PROTECTOR, MUFFLER OUTER	1	1	-	-	VKE4, VKX4	
3	18325-ZB4-000	PROTECTOR, MUFFLER INNER	1	1	-	-	VKE4, VKX4	
4	18329-ZB4-000	SEAL, MUFFLER PROTECTOR	2	2	-	-	VKE4, VKX4	
5	18333-ZB4-800	GASKET, EX. PIPE	1	1	-	-	VKE4, VKX4, VPE4	
	18333-ZB4-801	-	1	-	-	VPE2	
6	18355-ZB4-630	ARRESTER, SPARK	1	1	-	-	VKE4, VKX4, VPE2, VPE4	
7	90002-ZE2-U91	SCREW, TAPPING, 4X8	1	1	-	-	VKX4	
	90002-Z0T-800	-	1	-	-	VKE4, VPE2, VPE4	
	90055-ZE1-000	SCREW, TAPPING, 4X6	(1)	(1)	-	-	VKE4, VKX4, VPE2, VPE4	
8	95701-06012-00	BOLT, FLANGE, 6X12	8	8	-	-	VKE4, VKX4	
9	95701-08016-08	BOLT, FLANGE, 8X16	2	2	-	-	VKE4, VKX4, VPE2, VPE4	
10	95701-08020-08	BOLT, FLANGE, 8X20	2	2	-	-	VKE4, VKX4, VPE2, VPE4	
11	18310-Z1D-800	MUFFLER COMP. (SDMO)	-	1	-	-	VPE2, VPE4	
12	18355-ZE2-010	ARRESTER, SPARK	-	(1)	-	-	VKE4, VPE2, VPE4	



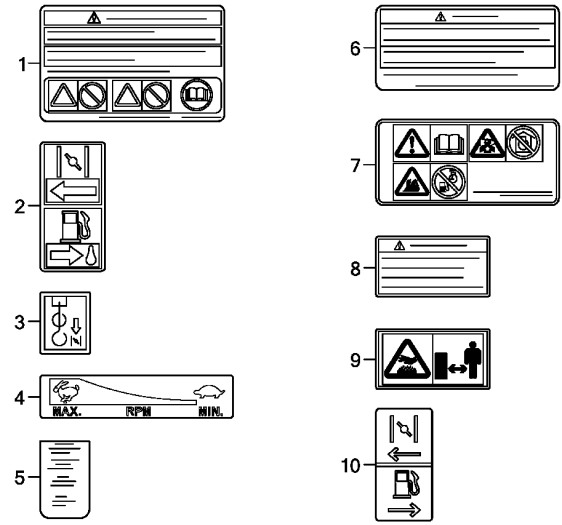


Z5K0E4001

Ref. (Relative ref. Number)
No. L.O.N. Description F.R.T.

NO INFORMATION

Ref. No.	Part No.	Description	Reqd. QTY				Serial No.	Parts catalogue code
			GX 270 UT	GX 270 RT	GX 270 UT2	GX 270 RT2		
1	16500-ZE2-703	SWITCH, THERMO	-	1	-	-	-----	VKE4
2	16561-ZE2-A00	SPRING, GOVERNOR	1	-	1	-	-----	VXB7,VXB9,VXE7,VXE9
	16561-ZH9-U30	1	1	-	-	-----	VPE5,VPX5,VPX9
3	31700-124-008	RECTIFIER ASSY., SILICON (SHINDENGEN)	-	1	-	-	-----	VKE4
4	32127-738-700	SUSPENSION, COUPLER	-	1	-	-	-----	VKE4
5	35100-ZE2-843	SWITCH ASSY., COMBINATION (3A-CHARGE)	-	1	-	-	-----	VKE4
6	35111-880-013	KEY COMP.	-	2	-	-	-----	VKE4
7	36170-ZB4-013	VALVE ASSY., SOLENOID	-	1	-	-	-----	VKE4
8	90741-889-810	KEY, 7X7X33(YELLOW)(O/S)	1	-	-	-	-----	RHG4
9	98200-31500	FUSE, BLADE (15A)	-	1	-	-	-----	VKE4



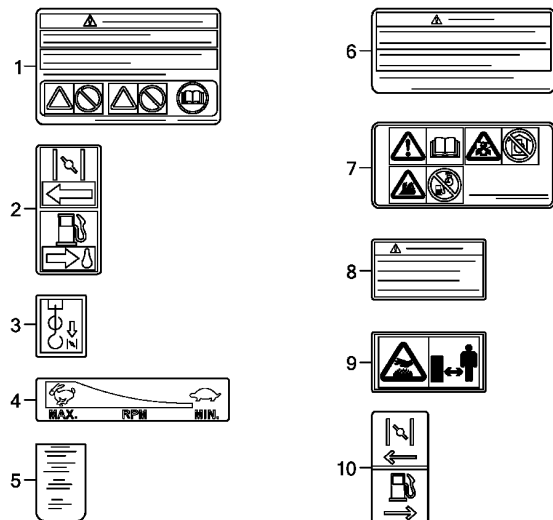
Z5K0E4002B

Ref. L.O.N. (Relative ref. Number) F.R.T.
No. Description

NO INFORMATION

Ref. No.	Part No.	Description	Reqd. QTY				Serial No.	Parts catalogue code
			GX 270 UT	GX 270 RT	GX 270 UT2	GX 270 RT2		
1	87516-Z4H-000	MARK, OPERATOR CAUTION (ENGLISH)(MADE IN THAI)	1	1	-	-	-----	QKE4,VKB2,VKE4,VMA4,VME4
	87516-Z4H-800	MARK, OPERATOR CAUTION (FRENCH)(MADE IN THAI)	1	1	-	-	-----	HA2,HEA2,HEA8,HKS8,HXQ4,HX26,HX8,LXE8,LXQ4,LXU,PAE2,PA2,PXED PX8,PXU,PX26,QAE2,QAE6,QAG2,QAQ4,QAR2,QAW,QA2,QA26,QE,QHB4 QH4,QH26,QKE4,QME2,QSC9,QSE8,QWA4,QWH2,QXB6,QXB7,QXB9,QXC4 QXC6,QXC9,QXE4,QXE8,QXQ4,QXU,QXUZ,RA2,RHE4,RHG4,RHQ4,RH26,RSC2 RXQ4,RXU,SHQ4,SMC4,SME1,SME6,SWA4,SWC4,SWS4,AXB7,AXB9,SXE4 SXE8,SXQ4,SXU,VAG2,VA2,VDE2,VKB2,VKE4,VKQ4,VKX4,VMA4,VME4,VNT2 VN17,VPE4,VPE5,VPX4,VPX5,VPX9,VSD7,VSD9,VSH7,VS37,VS39,VWA2 VWN2,VWT4,VW12,VXB7,VXB9,VXE6,VXE7,VXE9,VXQ4,VXU1,VX2
2	87528-ZH7-000	MARK, CHOKE (GRAY)	1	-	-	-	-----	QKE4
3	87528-898-620	MARK, CHOKE	1	1	-	-	-----	VKE4,VKX4,VPE2,VPE4,VPE5,VPX4,VPX5,VPX9,VS37,VS39
4	87532-ZH7-000	MARK, THROTTLE INDICATION ...	1	-	1	-	-----	QKE4
5	87534-ZE1-841	LABEL, AIR CLEANER CAUTION ..	1	-	-	-	-----	VMA4,VME4
6	87516-Z4H-010	MARK, OPERATOR CAUTION (ENGLISH)(MADE IN THAI)	1	-	1	-	-----	QA4,QXCU,QZX4
			-	-	1	1	-----	QAQ4,QE,QHB4,QHQ4,QKE4,QME2,QXB7,QXB9,QXE4,QXQ4,RHE4,RHQ4,SHQ4 SMC4,SWA4,SWC4,AXB7,SXE4,SXQ4,VKB2,VKQ4,VSD7,VWT4,VXB7,VXE7 VZX7
	87516-Z4H-801	MARK, OPERATOR CAUTION (FRENCH)(MADE IN THAI)	1	1	-	-	-----	QA4,QXB2,QXCU,QXC2,RHE2,SMC2,SWA2,VPE2
			-	-	1	1		
7	87519-Z4H-000	MARK, OPERATOR CAUTION (PICTOGRAPH)	1	1	1	-	-----	QXB2,QXC2,QZA2,RHE2,SMC2,SWA2,VPE2
			-	-	1	1	-----	HA2,HEA2,HKS8,HX26,LXU,PAE2,PA2,QAE2,QAG2,QAR2,QAW,QA2,QA26 QH26,QKE4,QXE8,QXUZ,RA2,RH26,RSC2,SXU,VA2,VDE2,VKB2,VNT2,VN17 VXU1





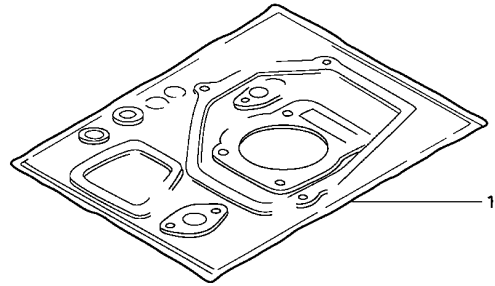
Z5K0E4002B

Ref. No.	Part No.	Description	Reqd. QTY				Serial No.	Parts catalogue code
			GX 270 UT	GX 270 RT	GX 270 UT2	GX 270 RT2		
8	87539-Z0J-000	MARK, EX. CAUTION (ENGLISH) -	1	-	1	-	-----	QA4,QXCU,QZX4
			-	-	1	1	-----	QAQ4, QE, QHB4, QHQ4, QME2, QXB7, QXB9, QXE4, QXQ4, RHE4, RHQ4, RSC2, SHQ4, SMC4, SWA4, SWC4, SXB7, SXE4, SXQ4, VDE2, VKB2, VKQ4, VNT2, VN17, VSD7, VXB7, VXE7, VZX7
	87539-Z0J-810	MARK, EX. CAUTION (FRENCH) ..	1	-	1	-	-----	QA4, QXB2, QXCU, QXC2, QZA2, QZX4, RHE2, SMC2, SWA2
			-	-	1	1	-----	HA2, HEA2, HKS8, HX26, LXU, PAE2, PA2, QAE2, QAG2, QAR2, QAW, QA2, QA26, QE, QHB4, QHQ4, QH26, QME2, QXB7, QXB9, QXE4, QXE8, QXQ4, QXUZ, RA2, RHE4, RHQ4, RH26, RSC2, SHQ4, SMC4, SWA4, SWC4, SXB7, SXE4, SXQ4, SXU, VA2, VDE2, VKB2, VKQ4, VNT2, VN17, VSD7, VXB7, VXE7, VXU1, VZX7
9	87539-Z0J-800	MARK, EX. CAUTION (PICTOGRAPH)	1	-	1	-	-----	QXB2, QXC2, QZA2, RHE2, SMC2, SWA2
			-	-	1	-	-----	HA2, HEA2, HKS8, HX26, LXU, PAE2, PA2, QAE2, QAG2, QAR2, QAW, QA2, QA26, QH26, QXE8, QXUZ, RA2, RH26, SXU, VA2, VXU1
10	87528-Z5T-000	MARK, CHOKE	-	-	1	-	-----	QKE4

EOP-1

GASKET KIT

K 8



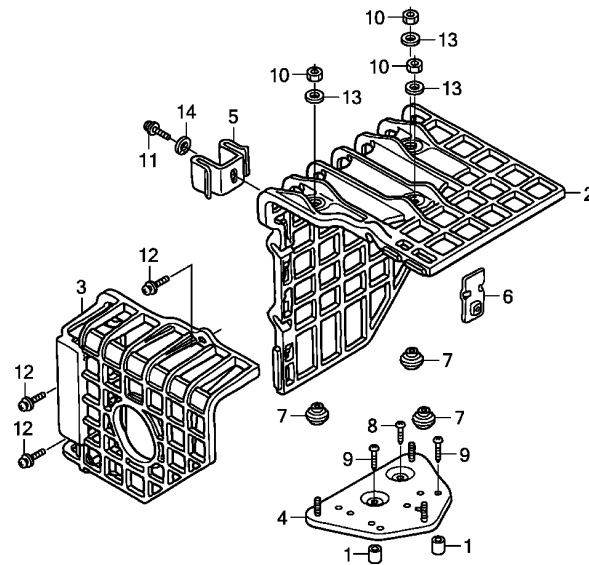
HENG-X0003

Ref. No.	L.O.N.	(Relative ref. Number)	Description	F.R.T.
----------	--------	------------------------	-------------	--------

NO INFORMATION

Ref. No.	Part No.	Description	Reqd. QTY				Serial No.	Parts catalogue code
			GX 270	GX 270	GX 270	GX 270		
			UT	RT	UT2	RT2		
1	06111-ZK9-S01	GASKET KIT	-	1	-	-	-----	VNT2

2



Z5K0X0200A

Ref. No.	L.O.N.	(Relative ref. Number) Description	F.R.T.
2	3131A7	COVER, EXHAUST MUFFLER	0.1
3	3131A7	COVER, EXHAUST MUFFLER	0.1
4	3131A2	BASE, EXHAUST MUFFLER COVER ..	0.2

Ref. No.	Part No.	Description	Reqd. QTY				Serial No.	Parts catalogue code
			GX 270 UT RT	GX 270 RT UT2	GX 270 UT2	GX 270 RT2		
1	17233-896-701	COLLAR, AIR CLEANER CASE	(2)	(2)	(2)	(2)	-----	HXQ4, LXQ4, QE, QKE4, QWA4, QXB2, QXB9, QXC2, QXC4, QZX4, RHE2, RHG4, RXQ4, SMC2, SME1, SME6, SWA2, SWA4, SWS4, SXB7, SXB9, SXE4, VMA4, VME4, VN17, VPE2, VPE4, VPX4, VSD9, VSH7, VS37, VWT4, VXB9, VXE9, VXQ4, VZX7, QAQ4, QHB4, QHQ4, QME2, QXB7, QXE4, QXQ4, RHE4, RHQ4, SHQ4, SMC4, SWC4, SXQ4, VKQ4, VSD7, VXB7, VXE7
2	18433-ZF6-W40	COVER COMP., MUFFLER	(1)	(1)	(1)	(1)	-----	HXQ4, LXQ4, QE, QKE4, QWA4, QXB2, QXB9, QXC2, QXC4, QZX4, RXQ4, SMC2, SME1, SME6, SWA2, SWA4, SWS4, SXB7, SXB9, SXE4, VMA4, VME4, VN17, VPE2, VPE4, VPX4, VSD9, VSH7, VS37, VWT4, VXB9, VXE9, VXQ4, VZX7, QME2, QXB7, QXE4, QXQ4, SMC4, SWC4, SXQ4, VSD7, VXB7, VXE7, QAQ4, QHB4, QHQ4, RHE2, RHE4, RHG4, RHQ4, SHQ4, VKQ4
3	18433-ZK9-W40 18434-ZF6-W40	COVER COMP., RR. MUFFLER	(1)	(1)	(1)	(1)	-----	HXQ4, LXQ4, QE, QKE4, QWA4, QXB2, QXB9, QXC2, QXC4, QZX4, RXQ4, SMC2, SME1, SME6, SWA2, SWA4, SWS4, SXB7, SXB9, SXE4, VMA4, VME4, VN17, VPE2, VPE4, VPX4, VSD9, VSH7, VS37, VWT4, VXB9, VXE9, VXQ4, VZX7, QME2, QXB7, QXE4, QXQ4, SMC4, SWC4, SXQ4, VSD7, VXB7, VXE7, QAQ4, QHB4, QHQ4, RHE2, RHE4, RHG4, RHQ4, SHQ4, VKQ4
4	18434-ZK9-W40 18436-ZH8-W40	BASE COMP., MUFFLER COVER ...	(1)	(1)	(1)	(1)	-----	HXQ4, LXQ4, QE, QKE4, QWA4, QXB2, QXB9, QXC2, QXC4, QZX4, RHE2, RHG4, RXQ4, SMC2, SME1, SME6, SWA2, SWA4, SWS4, SXB7, SXB9, SXE4, VMA4, VME4, VN17, VPE2, VPE4, VPX4, VSD9, VSH7, VS37, VWT4, VXB9, VXE9, VXQ4, VZX7, QAQ4, QHB4, QHQ4, QME2, QXB7, QXE4, QXQ4, RHE4, RHQ4, SHQ4, SMC4, SWC4, SXQ4, VKQ4, VSD7, VXB7, VXE7
5	18437-ZF6-W40	STAY, MUFFLER COVER	(1)	(1)	(1)	(1)	-----	HXQ4, LXQ4, QE, QKE4, QWA4, QXB2, QXB9, QXC2, QXC4, QZX4, RHE2, RHG4, RXQ4, SMC2, SME1, SME6, SWA2, SWA4, SWS4, SXB7, SXB9, SXE4, VMA4, VME4, VN17, VPE2, VPE4, VPX4, VSD9, VSH7, VS37, VWT4, VXB9, VXE9, VXQ4, VZX7, QAQ4, QHB4, QHQ4, QME2, QXB7, QXE4, QXQ4, RHE4, RHQ4, SHQ4, SMC4, SWC4, SXQ4, VKQ4, VSD7, VXB7, VXE7

EOP-2

MUFFLER COVER



Ref. No.	Part No.	Description	Reqd. QTY				Serial No.	Parts catalogue code
			GX 270 UT RT	GX 270 RT UT2	GX 270 UT2	GX 270 RT2		
6	18438-ZF6-W40	PLATE, SET	(1)	(1)	(1)	(1)	-----	HXQ4, LXQ4, QE, QKE4, QWA4, QXB2, QXB9, QXC2, QXC4, QZX4, RHE2, RHG4, RXQ4, SMC2, SME1, SME6, SWA2, SWA4, SWS4, SXB7, SXB9, SXE4, VMA4, VME4, VN17, VPE2, VPE4, VPX4, VSD9, VSH7, VS37, VWT4, VXB9, VXE9, VXQ4, VZX7
			(1)	-	-	-	-----	QAQ4, QHB4, QHQ4, QME2, QXB7, QXE4, QXQ4, RHE4, RHQ4, SHQ4, SMC4, SWC4, SXQ4, VKQ4, VSD7, VXB7, VXE7
7	18466-ZH8-W40	SPACER, MUFFLER COVER	(3)	(3)	(3)	(3)	-----	HXQ4, LXQ4, QE, QKE4, QWA4, QXB2, QXB9, QXC2, QXC4, QZX4, RHE2, RHG4, RXQ4, SMC2, SME1, SME6, SWA2, SWA4, SWS4, SXB7, SXB9, SXE4, VMA4, VME4, VN17, VPE2, VPE4, VPX4, VSD9, VSH7, VS37, VWT4, VXB9, VXE9, VXQ4, VZX7
			(3)	-	-	-	-----	QAQ4, QHB4, QHQ4, QME2, QXB7, QXE4, QXQ4, RHE4, RHQ4, SHQ4, SMC4, SWC4, SXQ4, VKQ4, VSD7, VXB7, VXE7
8	90050-ZE1-000	SCREW, TAPPING, 5X8	(1)	(1)	(1)	(1)	-----	HXQ4, LXQ4, QE, QKE4, QWA4, QXB2, QXB9, QXC2, QXC4, QZX4, RHE2, RHG4, RXQ4, SMC2, SME1, SME6, SWA2, SWA4, SWS4, SXB7, SXB9, SXE4, VMA4, VME4, VN17, VPE2, VPE4, VPX4, VSD9, VSH7, VS37, VWT4, VXB9, VXE9, VXQ4, VZX7
			(1)	-	-	-	-----	QAQ4, QHB4, QHQ4, QME2, QXB7, QXE4, QXQ4, RHE4, RHQ4, SHQ4, SMC4, SWC4, SXQ4, VKQ4, VSD7, VXB7, VXE7
9	90050-ZH8-W40	SCREW, TAPPING, 5X25	(2)	(2)	(2)	(2)	-----	HXQ4, LXQ4, QE, QKE4, QWA4, QXB2, QXB9, QXC2, QXC4, QZX4, RHE2, RHG4, RXQ4, SMC2, SME1, SME6, SWA2, SWA4, SWS4, SXB7, SXB9, SXE4, VMA4, VME4, VN17, VPE2, VPE4, VPX4, VSD9, VSH7, VS37, VWT4, VXB9, VXE9, VXQ4, VZX7
			(2)	-	-	-	-----	QAQ4, QHB4, QHQ4, QME2, QXB7, QXE4, QXQ4, RHE4, RHQ4, SHQ4, SMC4, SWC4, SXQ4, VKQ4, VSD7, VXB7, VXE7
10	90302-KF9-900	NUT, HEX., 5MM	(3)	(3)	(3)	(3)	-----	HXQ4, LXQ4, QE, QKE4, QWA4, QXB2, QXB9, QXC2, QXC4, QZX4, RHE2, RHG4, RXQ4, SMC2, SME1, SME6, SWA2, SWA4, SWS4, SXB7, SXB9, SXE4, VMA4, VME4, VN17, VPE2, VPE4, VPX4, VSD9, VSH7, VS37, VWT4, VXB9, VXE9, VXQ4, VZX7
			(3)	-	-	-	-----	QAQ4, QHB4, QHQ4, QME2, QXB7, QXE4, QXQ4, RHE4, RHQ4, SHQ4, SMC4, SWC4, SXQ4, VKQ4, VSD7, VXB7, VXE7
11	93891-05012-00	SCREW-WASHER, 5X12	(1)	(1)	(1)	(1)	-----	HXQ4, LXQ4, QE, QKE4, QWA4, QXB2, QXB9, QXC2, QXC4, QZX4, RHE2, RHG4, RXQ4, SMC2, SME1, SME6, SWA2, SWA4, SWS4, SXB7, SXB9, SXE4, VMA4, VME4, VN17, VPE2, VPE4, VPX4, VSD9, VSH7, VS37, VWT4, VXB9, VXE9, VXQ4, VZX7
			(1)	-	-	-	-----	QAQ4, QHB4, QHQ4, QME2, QXB7, QXE4, QXQ4, RHE4, RHQ4, SHQ4, SMC4, SWC4, SXQ4, VKQ4, VSD7, VXB7, VXE7
12	93891-06020-07	SCREW-WASHER, 6X20	(3)	(3)	(3)	(3)	-----	HXQ4, LXQ4, QE, QKE4, QWA4, QXB2, QXB9, QXC2, QXC4, QZX4, RHE2, RHG4, RXQ4, SMC2, SME1, SME6, SWA2, SWA4, SWS4, SXB7, SXB9, SXE4, VMA4, VME4, VN17, VPE2, VPE4, VPX4, VSD9, VSH7, VS37, VWT4, VXB9, VXE9, VXQ4, VZX7
			(3)	-	-	-	-----	QAQ4, QHB4, QHQ4, QME2, QXB7, QXE4, QXQ4, RHE4, RHQ4, SHQ4, SMC4, SWC4, SXQ4, VKQ4, VSD7, VXB7, VXE7
13	94103-05700	WASHER, PLAIN, 5MM	(3)	(3)	(3)	(3)	-----	HXQ4, LXQ4, QE, QKE4, QWA4, QXB2, QXB9, QXC2, QXC4, QZX4, RHE2, RHG4, RXQ4, SMC2, SME1, SME6, SWA2, SWA4, SWS4, SXB7, SXB9, SXE4, VMA4, VME4, VN17, VPE2, VPE4, VPX4, VSD9, VSH7, VS37, VWT4, VXB9, VXE9, VXQ4, VZX7
			(3)	-	-	-	-----	QAQ4, QHB4, QHQ4, QME2, QXB7, QXE4, QXQ4, RHE4, RHQ4, SHQ4, SMC4, SWC4, SXQ4, VKQ4, VSD7, VXB7, VXE7
14	94111-05000	WASHER, SPRING, 5MM	(1)	(1)	(1)	(1)	-----	HXQ4, LXQ4, QE, QKE4, QWA4, QXB2, QXB9, QXC2, QXC4, QZX4, RHE2, RHG4, RXQ4, SMC2, SME1, SME6, SWA2, SWA4, SWS4, SXB7, SXB9, SXE4, VMA4, VME4, VN17, VPE2, VPE4, VPX4, VSD9, VSH7, VS37, VWT4, VXB9, VXE9, VXQ4, VZX7
			(1)	-	-	-	-----	QAQ4, QHB4, QHQ4, QME2, QXB7, QXE4, QXQ4, RHE4, RHQ4, SHQ4, SMC4, SWC4, SXQ4, VKQ4, VSD7, VXB7, VXE7



PART NO. INDEX

L 1

Part Number	Address	Page	Ref.	Part Number	Address	Page	Ref.	Part Number	Address	Page	Ref.	Part Number	Address	Page	Ref.			
06000				12251-Z1D-801	E1	36	5	13310-ZK9-671	E15	50	5	16000						
06111-ZK9-S01	K8	139	1	12251-Z5K-003	E1	36	5	13310-ZK9-801	E15	50	5	16010-ZE2-015	F16	67	1			
				12251-ZH9-000	E1	36	5	13351-ZE2-010	E15	50	6	16010-ZE2-812	F16	67	1			
11000				12310-Z5T-000	E1	36	6					G13	80	1	16111-Z5T-W01	G13	80	12
11300-Z1D-000	E8	43	1	12310-ZE2-020	E1	36	6	14000				G13	80	1	16112-Z5T-W01	G13	80	13
11300-Z1D-600	E8	43	1	12310-ZE3-791	E2	37	6	14100-Z5K-810	F5	56	2	G11	78	1	16113-Z5T-W01	G13	80	14
11300-Z1D-820	E14	49	1	12315-ZE3-840	E3	37	13	14100-Z5K-820	F5	56	2	G9	76	1	16115-Z5T-W01	G13	80	15
11300-Z5K-W10	E10	45	18	12357-Z5T-010	E4	38	17	14100-ZE3-020	F5	56	2	G11	78	2	16116-Z5T-W01	G13	80	16
11300-Z5K-W60	E13	48	18	12391-ZE2-020	E2	37	7	14100-ZH9-010	F5	56	2	G9	76	2	16117-Z5T-W01	G13	80	17
11300-ZE2-612	E11	46	1					14100-ZE3-020	F5	56	2	G13	80	2	16118-Z5T-W01	G13	80	18
11300-ZE2-622	E11	46	1	13000				14100-ZK3-870	F5	56	2	F16	67	2	16119-Z5T-W01	G13	80	19
11300-ZK9-U60	E14	49	1	13010-Z1D-801	E16	51	1	14100-ZK3-880	F5	56	2	G11	78	2	16124-Z5T-W01	G13	80	20
11381-Z5K-000	E8	43	2	13010-Z5H-004	E16	51	1	14100-ZK9-870	F5	56	2	G9	76	2	16124-ZE0-005	G3	70	10
	E11	46	2	13010-Z5K-003	E16	51	1	14100-ZK9-880	F5	56	2	G13	80	2	G9	76	9	
	E12	47	1	13010-Z5K-004	F2	53	1	14410-Z1D-000	F5	56	3	F16	67	3	G11	78	9	
	E14	49	2	13011-Z1D-801	E16	51	1	14411-ZE2-611	J12	127	3	G9	76	3	G11	78	9	
11381-ZE2-801	E8	43	2	13011-Z1D-801	E16	51	1	14431-ZE2-010	F5	56	4	F16	67	3	G11	78	10	
	E11	46	2	13011-Z5H-004	F1	52	1	14441-ZE2-000	F5	56	5	G13	80	3	G11	78	10	
	E12	47	1	13011-Z5K-003	F1	52	1	14451-ZE1-013	F5	56	6	F16	67	3	G13	80	11	
	E14	49	2	13011-Z5K-004	F2	53	1	14568-ZE1-000	F5	56	7	G9	76	3	G13	80	11	
11400-Z1D-600	E12	47	2	13012-Z1D-801	E16	51	1	14711-Z5K-000	F5	56	8	G11	78	4	G11	78	11	
11400-Z1D-670	E14	49	1	13012-Z5H-004	F1	52	1	14711-ZE2-000	F5	56	8	G1	68	4	G11	78	11	
11400-Z8S-000	E12	47	2	13012-Z5K-003	F2	53	1	14721-Z5K-000	F5	56	8	G9	76	4	G11	78	11	
11400-ZE2-603	E12	47	2	13012-Z5K-004	F2	53	1	14721-ZE2-000	F5	56	9	G1	68	5	G11	78	11	
11400-ZE2-623	E11	46	1	13013-Z1D-801	E16	51	1	14751-Z1C-000	F6	57	10	G13	80	5	G11	78	12	
11500-Z8S-610	J12	127	1	13013-Z5K-003	F2	53	1	14771-Z8S-000	F6	57	11	G1	68	5	G11	78	12	
11500-Z8S-620	J15	130	1	13013-Z5K-004	F2	53	1					G9	76	5	G11	78	12	
11500-ZE2-610	J12	127	1	13101-Z5K-000	F3	54	2	14771-ZE2-000	F6	57	11	G11	78	5	G13	80	13	
11521-ZE2-800	J12	127	2	13101-ZH9-000	F2	53	2	14773-Z8S-000	F6	57	12	G2	69	6	G13	80	13	
	J15	130	2	13101-ZH9-010	F2	53	2	14773-ZE2-000	F6	57	12	G13	80	6	G4	71	14	
				13102-Z5K-000	F3	54	2	14775-ZE2-010	F6	57	13	G2	69	6	G4	71	14	
				13102-ZH9-000	F2	53	2	14781-ZE2-000	F6	57	14	G9	76	6	G8	75	28	
				13102-ZH9-010	F2	53	2	14791-Z1D-000	F7	58	15	G2	69	7	G9	76	13	
				13103-Z5K-000	F3	54	2	14791-ZE2-010	F6	57	15	G13	80	7	G11	78	13	
12000				13103-ZH9-000	F2	53	2					G11	78	7	G11	78	13	
12000-Z1D-405	E4	39	1	13103-ZH9-010	F3	54	2	15000				G2	69	7	G11	78	13	
12000-Z1D-406	E4	39	1	13104-Z5K-000	F3	54	2					G9	76	7	G11	78	13	
12000-Z1D-407	E4	39	1	13104-Z5K-000	F3	54	2	15510-ZE2-043	E4	39	2	G9	76	7	G13	80	15	
12000-Z1D-408	E4	39	1	13104-ZH9-000	F2	53	2	15510-ZE2-053	E5	40	2	G13	80	8	G13	80	15	
12000-Z1D-Q00	E4	39	1	13104-ZH9-010	F3	54	2	15600-Z0T-820	E8	43	3	G2	69	8	G14	81	26	
12000-Z1D-Q10	E4	39	1	13111-Z5K-000	F3	54	3					G2	69	8	G4	71	16	
12000-Z5K-405	E4	39	1	13111-ZE2-000	F3	54	3					G9	76	8	G4	71	16	
12000-Z5K-406	E4	39	1	13200-Z1D-000	F3	54	4					G9	76	8	G4	71	16	
12000-Z5K-407	E4	39	1	13200-Z1D-305	F3	54	4					G2	69	9	G9	76	14	
12000-Z5K-408	E4	39	1	13200-ZE2-305	F4	55	4	15600-Z1C-000	E8	43	4	G2	69	9	G11	78	14	
12000-Z5K-Q00	E4	39	1	13310-Z5K-W10	E15	50	2					G2	69	9	G5	72	17	
12000-Z5K-Q10	E4	39	1	13310-ZH9-010	E15	50	1					G2	69	9	G9	76	15	
12000-Z5K-Q20	E4	39	1	13310-ZH9-601	E15	50	2	15600-ZG4-003	E8	43	3	G2	69	9	G11	78	15	
12000-Z5K-Q60	E4	39	1	13310-ZH9-611	E15	50	3					G2	69	9	G11	78	16	
12000-ZH9-405	E4	39	1	13310-ZH9-651	E15	50	4					G9	76	8	J5	120	1	
12000-ZH9-406	E4	39	1	13310-ZH9-671	E15	50	5	15625-Z0T-800	E9	44	5	G9	76	8	G11	78	17	
12000-ZH9-407	E4	39	1	13310-ZH9-701	E15	50	9					G11	78	8	G9	76	16	
12000-ZH9-Q00	E4	39	1	13310-ZH9-801	E15	50	1					G13	80	10	G9	76	16	
12200-Z1D-405	E1	36	1	13310-ZH9-811	E15	50	2					G2	69	9	G9	76	17	
12204-ZE2-306	E1	36	2	13310-ZH9-821	E15	50	3					G2	69	9	G11	78	18	
12205-ZE2-305	E1	36	3	13310-ZH9-831	E15	50	4					G2	69	9	G11	78	19	
12209-ZE8-003	F5	56	1	13310-ZH9-841	E15	50	5					G2	69	9	G11	78	19	
12210-Z5K-405	E1	36	1	13310-ZK9-010	E15	50	1	15721-ZB4-000	H3	86	1	G2	69	9	G9	76	19	
12216-ZE2-300	E1	36	4	13310-ZK9-601	E15	50	2					G9	76	8	G11	78	20	
												G13	80	11	G9	76	20	

PART NO. INDEX

L 2

Part Number	Address	Page	Ref.	Part Number	Address	Page	Ref.	Part Number	Address	Page	Ref.	Part Number	Address	Page	Ref.
16264-ZE2-701	G11	78	21	16562-ZE2-700	J1	116	4	17000				17500-ZE2-813ZA	I3	102	23
16265-ZE2-721	G10	77	21	16570-ZE2-701	J4	119	26					17500-ZE2-813ZC	I3	102	23
	G11	78	22	16570-ZE2-721	J1	116	7	17210-Z5K-W00	H4	87	1	17505-ZE2-013	I3	102	24
16268-893-000	J5	120	2	16570-ZE2-722	J1	116	7	17210-ZE2-822	G15	82	2	17510-Z5K-000ZA	I3	102	27
16268-ZE2-721	G10	77	22	16570-ZE2-W00	J1	116	5					17510-Z5K-000ZB	I4	103	27
	G11	78	23	16570-ZE2-W10	J4	119	27	17210-ZE3-010	H1	84	2	17510-Z8S-880ZA	H16	99	3
16269-ZA0-800	G10	77	23	16570-ZE2-W20	J1	116	6					17510-Z8S-880ZC	H16	99	3
	G11	78	24	16570-ZE2-W40	J1	116	5	17211-899-000	H3	86	2	17510-ZE2-020ZA	H16	99	3
16270-ZB4-010	J5	120	3	16570-ZE2-W50	J4	119	27	17212-Z5R-000	H3	86	3	17510-ZE2-020ZD	H16	99	3
16271-ZB4-000	J5	120	4	16571-ZE2-W00	J2	117	8	17212-ZB4-003	H3	86	3	17510-ZK2-880ZC	H16	99	3
16271-ZE2-010	G15	82	1	16571-ZE2-W10	J2	117	8	17218-ZE2-821	G15	82	3	17532-ZK6-880	I2	101	14
	H1	84	1	16574-ZE1-000	J2	117	9					17532-ZK6-881	I2	101	14
	H2	85	1	16575-ZE2-W00	J2	117	10	17218-ZE3-000	H1	84	3	17534-ZK6-880	I2	101	15
16273-ZB4-000	J5	120	5	16576-891-000	G8	75	29					17534-ZK6-881	I2	101	15
16400-ZE2-703	G10	77	24		J2	117	11	17219-ZE3-840	H1	84	4	17536-ZK6-880	I2	101	16
16400-ZE2-704	G10	77	24		J4	119	28	17220-Z5R-000	H3	86	14	17620-Z0T-813	I1	100	4
	G11	78	25	16578-ZE1-000	J2	117	12	17220-ZB4-003	H3	86	4	17620-Z4H-000	I3	102	21
16500-Z5K-000	J1	116	5	16580-Z5K-000	J2	117	13	17222-ZB4-000	H3	86	5	17620-Z4H-020	I3	102	21
16500-Z5K-800	J4	119	27	16580-Z5K-800	J2	117	13	17230-ZE3-841	H1	84	5	17630-Z5K-003	I4	103	28
16500-Z5K-810	J1	116	6	16581-ZE2-W00	J2	117	13	17231-899-000	H3	86	6	17631-Z0T-801	I1	100	5
16500-Z5K-830	J4	119	27	16584-883-300	J2	117	14	17231-Z5K-000	H4	87	3	17631-Z4H-800	I1	100	5
16500-Z5K-840	J4	119	33	16588-Z5K-000	J4	119	34	17231-ZH9-820	G15	82	4	17672-Z4H-000	I3	102	22
16500-Z5K-850	J4	119	33	16590-ZE2-812	G8	75	30	17231-ZH9-N01	H2	85	4	17672-ZE2-W01	I1	100	6
16500-Z5K-860	J4	119	33	16592-883-310	J3	118	15	17232-891-000	G16	83	5				
16500-Z5K-871	J1	116	7	16594-883-010	G8	75	31					18000			
16500-ZE2-703	K5	136	1		J4	119	29					18310-Z1D-800	K4	135	11
16510-ZE2-000	E9	44	6	16599-ZG1-M10	J3	118	16	17232-898-000	H3	86	15	18310-Z5K-000	H13	96	1
	E11	46	6	16610-ZE1-000	G5	72	18	17233-896-701	K9	140	1	18310-Z8S-810	H12	95	1
16510-ZE2-811	E11	46	6	16611-ZE2-711	G12	79	26	17235-899-000	H3	86	7	18310-Z8W-V60	K4	135	1
	E12	47	6	16611-ZE3-D21	G10	77	25	17235-Z5H-000	G16	83	6	18310-ZE2-V60	K4	135	1
16510-ZE3-000	E14	49	6	16612-Z5T-W01	G14	81	28	17235-Z5H-800	H2	85	13	18310-ZE2-W00	H7	90	1
16511-ZE2-000	E9	44	7	16613-893-000	G10	77	26	17235-Z5K-000	H4	87	5	18310-ZE2-W61	H9	92	1
	E11	46	7		G12	79	27	17235-Z5K-800	H4	87	5	18310-ZH9-V01	H11	94	1
	E12	47	7	16615-893-000	G10	77	27	17235-ZE2-820	G16	83	6	18310-ZK6-880	H9	92	1
16511-ZE8-000	E14	49	7		G12	79	28	17235-ZH9-N01	H2	85	6	18320-Z5K-000	H13	96	2
16512-ZE2-000	E9	44	8	16615-ZE2-810	G8	75	32	17236-899-000	H3	86	8	18320-Z5K-800	H13	96	2
	E11	46	8	16646-Z5T-W01	G14	81	29	17238-ZE2-310	G16	83	7	18320-ZB4-000	K4	135	2
16512-ZE2-811	E11	46	8	16648-Z5T-W01	G14	81	30					18320-ZE2-P30	H12	95	2
	E12	47	8	16731-ZE2-003	F13	64	1					18320-ZE2-P31	H12	95	2
16512-ZE3-000	E14	49	8	16755-Z5T-W00	I11	110	1	17239-ZE1-000	G16	83	8	18320-ZE2-W01	H7	90	2
16513-ZE2-000	E10	45	9	16854-ZH8-000	H16	99	1					18320-ZE2-W02	H7	90	2
	E11	46	9	16910-GB2-005	I2	101	13					18320-ZE2-W61	H9	92	2
	E12	47	9	16953-ZE1-812	G6	73	19					18320-ZE2-W62	H9	92	2
	E14	49	9		G14	81	31	17239-ZE3-840	H1	84	8	18320-ZF6-W01	H9	92	2
16531-Z0A-000	E10	45	10	16954-ZE1-812	G6	73	20	17252-899-000	H3	86	9	18320-ZF6-W02	H9	92	2
	E11	46	10		G14	81	32	17316-611-000	E4	38	16	18323-ZE2-W00	H7	90	3
	E12	47	10	16955-ZE1-000	H16	99	2	17367-413-690	H3	86	10				
	E14	49	10	16955-ZE1-010	H16	99	2	17410-Z5K-000	H5	88	8	18325-ZB4-000	K4	135	3
16541-ZE2-010	E5	40	3	16956-ZE1-811	G6	73	21	17410-Z5K-W00	H5	88	8	18325-ZE2-P30	H12	95	3
16550-ZE2-700	J4	119	25		G14	81	33	17410-ZE2-020	G16	83	9	18329-ZB4-000	K4	135	4
16551-ZE2-000	I16	115	1	16957-ZE1-812	G6	73	22	17410-ZE3-840	H1	84	9	18330-ZE2-000	H12	95	4
16555-ZE2-000	I16	115	2		G14	81	34	17410-ZH9-N00	H2	85	9	18330-ZE2-000	H12	95	4
16561-ZE2-000	I16	115	3	16959-Z5T-901	G8	75	37	17417-Z5T-000	H5	88	9	18330-ZE2-700	H11	94	2
16561-ZE2-800	I16	115	3		G14	81	35	17470-ZE3-842	H1	84	10				
16561-ZE2-A00	K5	136	2	16967-ZE0-811	G6	73	23	17475-ZE3-841	H1	84	11	18330-ZE2-W00	H7	90	4
16561-ZH9-U30	I16	115	3		G14	81	36	17476-ZE3-841	H1	84	12	18330-ZH9-N00	H8	91	16
	K5	136	2					17500-Z5K-810ZA	I3	102	26				
16561-ZK9-800	I16	115	3					17500-Z5K-810ZB	I3	102	26				
16562-ZE2-000	J1	116	4												

3

PART NO. INDEX

L 3

Part Number	Address	Page	Ref.	Part Number	Address	Page	Ref.	Part Number	Address	Page	Ref.	Part Number	Address	Page	Ref.				
19000				28000				31000				31610-Z5J-801ZA J6				34000			
19511-ZE2-000	I5	104	1	28400-Z5K-003ZA	F8	59	1	31100-ZE2-010	I5	104	4	31610-Z5J-801ZC J6		121	1	34150-ZH7-003	E5	40	4
19512-ZE2-000	I6	105	9	28400-Z5K-003ZB	F8	59	1	31100-ZE2-812	I6	105	11	31610-Z5J-811ZA J8		123	26		J6	121	9
19610-Z5K-000ZA	F13	64	2	28400-Z5K-003ZD	F8	59	1	31100-ZE2-822	I5	104	5	31610-Z5J-821ZA J9		124	2		J9	124	9
19610-Z5K-000ZB	F13	64	2	28400-Z5T-W01ZA	F12	63	1	31100-ZE2-832	I5	104	6	31610-Z5K-802ZA J6		121	1	34150-ZH7-013	E5	40	4
19610-Z5K-000ZC	F14	65	2	28400-Z5T-W01ZB	F12	63	1	31100-ZE2-W01	I6	105	10	31610-Z5K-802ZB J6		121	1		J7	122	9
19610-Z5K-000ZD	F14	65	2	28400-ZE2-W01ZB	F8	59	1	31110-Z5K-000	I5	104	4	31610-Z5K-811ZA J8		123	27		J9	124	9
19610-Z5K-820ZB	F14	65	2	28400-ZE2-W01ZD	F8	59	1	31110-Z5K-810	I6	105	11	31610-Z5K-811ZB J8		123	27	34750-Z5T-W21	I11	110	2
19610-Z5K-W00ZA	F15	66	1	28400-ZE2-W01ZG	F8	59	1	31110-Z5K-820	I5	104	5	31610-Z5K-821ZA J8		123	27	34750-Z5T-W61	I11	110	2
19610-Z5K-W00ZB	F15	66	1	28400-ZE2-W01ZN	F8	59	1	31110-Z5K-840	I5	104	6	31610-Z5K-821ZB J8		123	27				
19610-ZE2-010ZC	F13	64	2	28400-ZE2-W02ZB	F8	59	1	31110-Z5K-850	I6	105	10	31610-Z5K-831ZB J10		125	23				
19610-ZE2-010ZD	F13	64	2	28400-ZE2-W02ZN	F8	59	1	31110-Z5K-W00	I6	105	12	31610-Z5K-851ZB J8		123	27	35000			
19610-ZE2-010ZF	F13	64	2	28410-Z5T-W01ZA	F12	63	2	31200-Z5T-W01	I15	114	3	31610-Z5T-W00	J11	126	1	35100-Z5T-811	J7	122	10
19610-ZE2-010ZG	F13	64	2	28410-Z5T-W01ZB	F12	63	2	31200-ZH9-003	I12	111	1	31612-ZE2-003	J6	121	2	35100-Z5T-821	J7	122	10
19610-ZE2-010ZL	F13	64	2	28410-ZE2-W01ZB	F8	59	2	31200-ZH9-013	I12	111	1		J9	124	3	35100-Z5T-831	J9	124	10
19610-ZK2-880ZA	F13	64	2	28410-ZE2-W01ZD	F8	59	2	31201-ZA1-003	I12	111	2	31614-Z5T-W00	J11	126	2	35100-Z5T-W01	J11	126	8
19610-ZK2-880ZB	F13	64	2	28410-ZE2-W01ZG	F8	59	2	31202-ZA1-003	I12	111	3	31614-ZE2-003	J6	121	3	35100-ZE2-033	J7	122	10
19619-ZL8-300	F15	66	2	28410-ZE2-W01ZN	F9	60	2	31203-PH9-004	I15	114	4		J9	124	4	35100-ZE2-843	J7	122	10
19630-Z5K-W00	J4	119	35	28411-Z5T-W01	F12	63	3	31204-Z2E-003	I15	114	5	31615-ZE2-003ZA	J6	121	4		K5	136	5
19631-Z5K-000	F14	65	3	28421-Z5T-W01	F12	63	4	31204-ZA0-003	I12	111	4	31615-ZE2-003ZG	J6	121	4	35100-ZE2-862	J9	124	10
	F15	66	3	28421-ZE2-W01	F9	60	3	31207-ZE9-H01	I15	114	6		J9	124	5	35110-Z5T-W01	J11	126	9
19631-ZE2-D00	F14	65	3	28422-ZE2-W01	F9	60	4	31207-ZH9-003	I12	111	5	31620-ZG5-033	J8	123	28	35110-Z5T-W11	J11	126	10
					F12	63	5	31208-Z5T-W00	I15	114	7	31630-Z5T-W01	I10	109	8	35111-880-013	J7	122	11
21000				28441-ZE2-W01	F10	61	5	31209-PH9-004	I15	114	8	31630-Z5T-W11	I10	109	8		J9	124	11
					F12	63	6	31210-PH9-004	I15	114	9	31630-ZE1-013	I8	107	5		K5	136	6
21510-889-750	J13	128	1	28442-ZE2-W01	F10	61	6	31211-PH9-004	I15	114	10	31630-ZE2-842	I8	107	5	35120-Z0D-V81	F14	65	7
21610-889-750	J13	128	2		F12	63	7	31211-ZE2-003	I12	111	6	31630-ZE2-861	I8	107	6	35120-Z5T-003	F14	65	10
21691-889-750	J13	128	3	28443-ZE2-W01	F10	61	7	31212-PH9-004	I15	114	11	31630-ZE2-W01	I8	107	16	35480-Z5K-W01	E7	42	18
					F12	63	8	31212-ZE2-003	I12	111	7	31700-124-008	J6	121	5	35480-ZF6-003	E7	42	18
22000				28444-ZE2-W01	F10	61	8	31213-P64-N01	I15	114	12		K5	136	3				
					F12	63	9	31213-ZE2-003	I12	111	8	31711-Z5T-W00	J11	126	3	36000			
22103-ZE2-620	J15	130	3	28450-ZE2-W11	I5	104	2	31214-PH9-004	I15	114	13	31712-Z5T-W00	J11	126	4	36100-ZF6-P81	F14	65	4
22121-889-750	J13	128	4	28451-ZE2-W01	I5	104	3	31215-ZE2-003	I13	112	9	31713-Z5T-W01	J11	126	5	36100-ZF6-P82	F14	65	4
22201-822-610	J13	128	5	28461-Z5T-003	F11	62	13	31216-ZE2-003	I13	112	10					36100-ZH9-V02	F14	65	9
22311-822-610	J13	128	6		F12	63	10	31217-Z0A-003	I15	114	14	32000							
22350-822-610	J13	128	7	28461-ZE2-W02	F10	61	9	31217-ZE2-003	I13	112	11	32110-Z5K-000	I9	108	19	36100-ZH9-V03	F14	65	9
22411-822-611	J13	128	8	28461-ZE2-W03	F10	61	9	31218-PH9-004	I15	114	15	32110-Z5K-800	I9	108	19	36101-ZE1-010	I8	107	7
22421-822-610	J13	128	9	28462-ZE2-W11	F10	61	10	31219-Z5T-W00	I15	114	16	32110-Z5K-810	I9	108	19	36103-ZE1-000	I8	107	8
22521-822-610	J13	128	10	28462-ZE3-W01	F12	63	11	31219-ZE2-003	I13	112	12	32110-Z5K-820	I9	108	19	36135-ZF6-D41	G10	77	28
22531-889-750	J13	128	11	28463-Z5T-003	F11	62	14	31220-PH9-004	I15	114	17	32110-Z5K-W00	I10	109	9		G12	79	29
22535-822-610	J13	128	12		F12	63	12	31222-ZE3-791	I13	112	13	32110-ZE2-860	J9	124	6	36160-ZB4-013	J5	120	6
				28465-Z5T-W01	F12	63	13	31223-PA0-006	I15	114	18	32110-ZE2-W00	J8	123	29	36170-ZB4-013	K5	136	7
23000				30000				31231-PH9-004	I15	114	19	37000							
								31231-ZE2-003	I13	112	14	32115-Z5T-W00	E7	42	17	37150-Z5T-W01	J11	126	11
23110-ZE2-610	J12	127	4	30201-PH9-004	I15	114	1	31232-ZE3-003	I13	112	15	32127-738-700	J6	121	6				
23120-889-750	J13	128	13	30202-PZ1-003	I15	114	2	31233-PH9-004	I15	114	20		K5	136	4				
23161-822-611	J13	128	14	30421-Z5K-W00	F15	66	4	31233-ZE2-003	I13	112	16	32197-ZE1-003	J6	121	7	38000			
23220-ZE2-621	J15	130	4	30500-Z1C-013	I7	106	1	31244-ZH9-003	I13	112	17		J9	124	7	38216-Z2E-003	J11	126	12
23710-ZE2-610	J12	127	5	30500-Z1C-023	I7	106	1	31245-ZH9-003	I14	113	18	32197-ZH8-003	F14	65	8	38240-VA3-900	J7	122	12
23710-ZE2-621	J15	130	5	30500-Z5K-003	I8	107	18	31510-ZE2-811	I8	107	14	32346-Z5T-W00	J11	126	6	38240-ZE2-840	J7	122	12
23711-822-610	J13	128	15		I10	109	1	31510-ZE2-H91	I8	107	5	32612-Z5T-W00	J11	126	7	38250-ZA8-701	J7	122	13
				30595-Z5T-W01	I10	109	2	31511-Z5T-W00	I10	109	5	32823-ZV5-003	I10	109	10				
25620-805-612	J13	128	16	30596-Z5T-W00	I10	109	3	31511-ZE2-000	I7	106	3	32824-ZV5-003	I10	109	11				
25651-889-750	J13	128	17	30700-Z1C-811	I7	106	2	31511-ZE2-W00	I8	107	15	32902-892-003	J6	121	8	53000			
					I10	109	4	31512-Z5T-W00	I10	109	7		J9	124	8	53149-964-003	G10	77	29
				30700-ZF5-013	I8	107	13	31512-ZE2-000	I8	107	4						G12	79	30
									I10	109	6								
								31600-ZE2-861	J9	124	1								

3

PART NO. INDEX

L 5

Part Number	Address	Page	Ref.	Part Number	Address	Page	Ref.	Part Number	Address	Page	Ref.	Part Number	Address	Page	Ref.
94050-06000	H6	89	14												
	J4	119	24	95701-08020-00	H11	94	10	99101-ZH8-0900	G14	81	38				
94050-06080	H3	86	13	95701-08020-08	H11	94	10		G8	75	26				
94050-08000	H8	91	13						G10	77	43				
	H10	93	8	95701-08025-00	K4	135	10		G12	79	45				
	H11	94	8		I2	101	11	99101-ZH8-0920	G8	75	26				
	H12	95	12		J12	127	10		G10	77	43				
	H14	97	16	95701-08032-08	J15	130	12		G12	79	45				
	H15	98	3	95701-08035-00	J14	129	30	99101-ZH8-0950	G8	75	26				
	I2	101	8		E10	45	15	99204-ZE0-0350	G8	75	27				
94050-10000	E6	41	10		E11	46	14	99204-ZE0-0380	G14	81	39				
94070-06080	I14	113	24		E13	48	15	99204-ZE2-0380	G8	75	27				
94070-08080	I15	114	21	95701-08040-00	E14	49	16	99204-ZE2-0400	G8	75	27				
94101-04800	J8	123	23		I14	113	25		G10	77	44				
	J10	125	20		J12	127	11		G12	79	46				
94101-06800	E10	45	14	95701-10040-00	J15	130	13								
	E11	46	13	95701-10080-00	I15	114	22								
	E13	48	14		E3	37	14								
	E14	49	15	96000											
94103-05000	G10	77	36												
	G12	79	38	96100-62020-00	E6	41	14								
94103-05700	K10	141	13		E11	46	17								
94109-12000	E6	41	11		E13	48	16								
	J14	129	26		E14	49	18								
94111-04800	J8	123	24	96100-62040-00	E11	46	15								
	J10	125	21	96100-62050-00	J14	129	31								
94111-05000	K10	141	14	96100-62060-00	E10	45	16								
94111-08800	J14	129	27		E11	46	16								
94251-10000	E6	41	12		E13	48	17								
94301-08140	J12	127	9		E14	49	17								
	J14	129	28		J12	127	12								
	J15	130	11		J14	129	32								
94301-12200	E3	37	12		J15	130	14								
94305-20062	J5	120	10	96100-63020-00	E11	46	18								
94305-20122	G7	74	25		J15	130	15								
94540-02010	G10	77	37	98000											
	G12	79	39												
94540-04010	G10	77	38												
	G12	79	40	98079-55846	E4	37	15								
94540-04018	J5	120	11	98079-55855	E4	37	15								
94540-07010	G10	77	39	98079-55876	E4	38	15								
	G12	79	41	98079-56876	E4	38	15								
				98200-30500	J8	123	25								
95000				98200-31500	J8	123	25								
					J10	125	22								
95001-45222-40	I2	101	9		K5	136	9								
95002-02070	G10	77	40	98200-43000	J11	126	23								
	G12	79	42												
95002-02080	I2	101	10	99000											
95002-40800-08	I2	101	12												
95005-11100-30	E3	37	13	99001-10120	K3	134	5								
95005-35055-10	G10	77	41	99001-14170	K3	134	6								
	G12	79	43	99008-02300	K3	134	7								
95005-35075-10	G10	77	42	99101-ZH8-0800	G7	74	26								
	G12	79	44	99101-ZH8-0820	G7	74	26								
95701-06012-00	E6	41	13	99101-ZH8-0850	G8	75	26								
	K4	135	8	99101-ZH8-0880	G8	75	26								
95701-06050-08	J14	129	29		G10	77	43								
95701-08016-08	H11	94	9		G12	79	45								

3

PART NAME INDEX

Part name	Address	Page	Ref.	Part name	Address	Page	Ref.	Part name	Address	Page	Ref.
[A]											
ALERT UNIT, OIL	E5	40	4	BOLT, FLANGE, 10X40	I15	114	22	BOLT, THROUGH	I15	114	13
	J6	121	9	BOLT, FLANGE, 10X80	E3	37	14	BOX ASSY., CONTROL	J6	121	1
	J7	122	9	BOLT, FLANGE, 6X10	F11	62	12		J8	123	26
	J9	124	9		I2	101	17				27
ARMATURE COMP.	I13	112	11	BOLT, FLANGE, 6X12	E5	40	5		J9	124	2
	I15	114	14		E6	41	13		J10	125	23
ARM COMP., GOVERNOR	J4	119	25		E7	42	19	BRACKET A, HARNESS	E7	42	17
ARM, CHOKE	G13	80	13		F14	65	6	BRACKET, CASE MOUNTING	J6	121	3
ARM, GOVERNOR	I16	115	1		F15	66	9		J9	124	4
ARM, MANUAL START	G13	80	9		H8	91	10	BRACKET, CENTER	I12	111	6
ARM, VALVE ROCKER	F5	56	4		H10	93	17	BRACKET, FR.	I12	111	7
ARRESTER COMP., SPARK	H14	97	9		H14	97	13	BRACKET, SWITCH BOX	J11	126	2
ARRESTER, SPARK	H7	90	7		I8	107	9	BRACKET B, HARNESS	I10	109	3
	H8	91	7		I10	109	12	BRUSH	I13	112	9
	H10	93	9		J3	118	17		I15	114	10
	H11	94	5		J4	119	36	BUSH, ARM PIVOT	G10	77	29
	H12	95	7		J5	120	7		G12	79	30
	K4	135	6		J7	122	15	BUSH, AUTO-THROTTLE LEVER	J5	120	8
			12		J9	124	13				
AUTO-THROTTLE ASSY.	J5	120	3		J11	126	15	[C]			
			3	BOLT, FLANGE, 6X16	K4	135	8	CAMSHAFT ASSY.	F5	56	2
[B]				BOLT, FLANGE, 6X25	E7	42	20	CAP ASSY., NOISE SUPPRESSOR ...	I7	106	2
BAG, TOOL, 230MM	K3	134	7	BOLT, FLANGE, 6X25	F15	66	10		I8	107	13
BAND	J6	121	8		I10	109	14		I10	109	4
	J9	124	8	BOLT, FLANGE, 6X28	I10	109	14	CAP ASSY., OIL FILLER	E8	43	3
BARREL ASSY., CYLINDER	E4	39	1		I8	107	11				4
BASE COMP., CONTROL	J2	117	13						E11	46	3
BASE COMP., MUFFLER COVER	K9	140	4	BOLT, FLANGE, 6X32	I8	107	11				4
BEARING A	I15	114	8						E12	47	3
BEARING B	I15	114	9	BOLT, FLANGE, 6X50	J14	129	29				4
BEARING, RADIAL BALL	E15	50	8	BOLT, FLANGE, 8X16	H11	94	9		E14	49	3
BEARING, RADIAL BALL, 6202 ...	E6	41	14		K4	135	9	CAP COMP., FUEL FILLER	I1	100	4
	E11	46	17	BOLT, FLANGE, 8X20	H11	94	10		I3	102	21
	E13	48	16		K4	135	10	CAP, CHOKE DUST	G9	76	10
	E14	49	18	BOLT, FLANGE, 8X25	I2	101	11		G11	78	10
BEARING, RADIAL BALL, 6204 ...	E11	46	15		J12	127	10	CAP, CHOKE LEVER	J5	120	1
BEARING, RADIAL BALL, 6205 ...	J14	129	31	BOLT, FLANGE, 8X32	J15	130	12	CAP, MUFFLER	H7	90	5
BEARING, RADIAL BALL, 6206 ...	E10	45	16	BOLT, FLANGE, 8X35	E10	45	15		H10	93	13
	E11	46	16		E11	46	14		H12	95	5
	E13	48	17		E13	48	15	CAP, PRE AIR CLEANER	H1	84	11
	E14	49	17		E14	49	16	CAP, REDUCTION OIL	J13	128	16
	J12	127	12	BOLT, FLANGE, 8X40	I14	113	25	CAP, SEALING	G8	75	34
	J14	129	32		J12	127	11		G16	83	13
	J15	130	14		J15	130	13		H2	85	14
BEARING, RADIAL BALL, 6302 ...	E11	46	18	BOLT, GOVERNOR ARM	J3	118	18		H3	86	16
	J15	130	15	BOLT, HEAD COVER	E2	37	8	CARBURETOR ASSY.	G2	69	9
BOLT-WASHER, 5X14	I14	113	19	BOLT, HEX., 8X35	J13	128	24		G9	76	8
BOLT-WASHER, 6X18	H5	88	10	BOLT, PIVOT, 8MM	F7	58	16		G11	78	8
BOLT-WASHER, 6X22	G16	83	10	BOLT, SPECIAL, 6MM	F15	66	6	CARBURETOR SET	G13	80	10
	H1	84	13	BOLT, STUD	F15	66	5	CASE COMP., AIR CLEANER	H3	86	4
	H2	85	10								14
	H5	88	10	BOLT, STUD, 8X123	E2	37	9	CASE COMP., MOTOR	G14	81	29
BOLT B, STUD,	F15	66	8	BOLT, STUD, 8X131.5	E2	37	9	CASE COMP., PRE AIR CLEANER ...	H1	84	10
BOLT, CONNECTING ROD	F4	55	5	BOLT, STUD, 8X22	E3	37	11				
BOLT, DRAIN PLUG, 12MM	J14	129	25	BOLT, STUD, 8X32	E3	37	11				
BOLT, DRAIN PLUG, 12X15	E5	40	6	BOLT, STUD, 8X98	E2	37	9				



PART NAME INDEX

Part name	Address	Page	Ref.	Part name	Address	Page	Ref.	Part name	Address	Page	Ref.
CASE COMP., RECOIL STARTER ...	F8	59	2	COLLAR B, AIR CLEANER	H5	88	7	CRANKSHAFT COMP.	E15	50	5
	F9	60	2	COLLAR SET, CLUTCH STOP	I15	114	2				9
	F12	63	2	COLLAR, AIR CLEANER	G16	83	7	CUP, FUEL STRAINER	G6	73	23
CASE, CONTROL	J6	121	2		H1	84	7		G14	81	36
	J9	124	3		H2	85	7				
CASE, REDUCTION	J13	128	1		H5	88	6				
CENTER, CLUTCH	J13	128	4	COLLAR, AIR CLEANER CASE	K9	140	1	[D]			
CENTER, CLUTCH WEIGHT	J13	128	12	COLLAR, CLUTCH STOP	I12	111	3	DEFLECTOR COMP., MUFFLER	H8	91	18
CHAIN, DRIVE	J13	128	14	COLLAR, FAN COVER	F15	66	2		H10	93	16
CHAIN, P.T.O. DRIVE	J12	127	3	COLLAR, LEVER	G10	77	34		H14	97	18
CHAMBER SET, FLOAT	G1	68	4		G12	79	35	DIAPHRAGM ASSY.	G10	77	24
	G9	76	4	COLLAR, SETTING	G4	71	12		G11	78	25
	G11	78	4		G9	76	12	DISK, CLUTCH FRICTION	J13	128	5
	G13	80	4		G11	78	12	DOWEL PIN, 12X20	E3	37	12
CHOKE SET	G2	69	8	COLLAR, STOPPER	J3	118	16	DOWEL PIN, 8X12	E10	45	12
	G13	80	8	CONTACTOR ASSY.	I12	111	4		E11	46	12
CIRCLIP, 5MM	G8	75	33	CONTROL ASSY.	J1	116	5		E13	48	12
	J4	119	30				6		E14	49	13
CLAMPER, CORD	I7	106	3				7	DOWEL PIN, 8X14	J12	127	9
	I8	107	15		J4	119	26		J14	129	28
	I10	109	5				27		J15	130	11
CLAMP, TUBE	I2	101	12				33	[E]			
CLIP A, AIR CLEANER WIRE	H3	86	7	CONTROL UNIT, ELECTRONIC	I11	110	2				
CLIP B, AIR CLEANER WIRE	H3	86	8	CORD, CHARGE COIL	J11	126	3	ELBOW COMP., AIR CLEANER	G16	83	9
CLIP, BREATHER TUBE	E4	38	16	CORD, EARTH	J11	126	4		H1	84	9
CLIP, COUPLER	J11	126	18	CORD, STOP SWITCH	I8	107	7		H2	85	9
CLIP, GOVERNOR HOLDER	E10	45	11	COUNTERSHAFT COMP.	J15	130	4		H5	88	8
	E11	46	11	COVER	I15	114	12	ELEMENT COMP., AIR CLEANER	H4	87	1
	E12	47	11	COVER ASSY., CHAIN CASE	J12	127	1	ELEMENT, AIR CLEANER	G15	82	2
	E14	49	12	COVER ASSY., CRANKCASE	E8	43	1		H1	84	2
CLIP, HARNESS	I8	107	12		E10	45	18		H2	85	2
CLIP, HARNESS BAND	J4	119	37		E11	46	1		H3	86	2
CLIP, PISTON PIN, 18MM	F4	55	6		E12	47	2	EMBLEM	H4	87	1
CLIP, PURSE LOCK	E6	41	15		E13	48	18		J16	131	3
	I9	108	20	COVER ASSY., FUSE	J11	126	12		K1	132	3
	J7	122	17	COVER ASSY., REDUCTION CASE	J15	130	1	E-RING, 2MM	G10	77	37
	J9	124	15	COVER COMP., AIR CLEANER	H1	84	5		G12	79	39
CLIP, SPECIAL	G13	80	17		H3	86	6	E-RING, 4MM	G10	77	38
			18	COVER COMP., FAN	F13	64	2		G12	79	40
CLIP, TUBE	F13	64	1		F14	65	2		J5	120	11
	G10	77	40		F15	66	1	E-RING, 7MM	G10	77	39
	G12	79	42	COVER COMP., HEAD	E1	36	6		G12	79	41
	I2	101	10		E2	37	6	[F]			
CLIP, VALVE GUIDE	E1	36	4	COVER COMP., MUFFLER	K9	140	2	FAN, COOLING	I5	104	1
CLUTCH COMP., OVERRUNNING	I12	111	5	COVER COMP., RR. MUFFLER	K9	140	3	FILTER, CUP	G8	75	37
	I15	114	6	COVER, AIR CLEANER	G15	82	4		G14	81	35
COIL ASSY., CHARGE	I8	107	5		H2	85	4	FILTER, DRAIN TUBE	H3	86	10
			6	COVER, AIR CLEANER CASE	H4	87	3	FILTER, FUEL	I1	100	6
			16	COVER, CONTROL	J11	126	7		I3	102	22
	I10	109	8	COVER, CYLINDER HEAD	E1	36	6	FILTER, OUTER	G15	82	3
COIL ASSY., IGNITION	I7	106	1	COVER, ELECTRONIC PARTS	F15	66	4		H1	84	3
	I8	107	18	COVER, RECOIL STARTER	F12	63	3		H2	85	3
	I10	109	1	COVER, REDUCTION	J13	128	2	FLANGE COMP., BAFFLE	H13	96	8
COIL ASSY., LAMP	I8	107	5	COVER, ROPE	F12	63	13	FLOAT SET	F16	67	3
			14	CRANKSHAFT COMP.	E15	50	1		G9	76	3
COIL ASSY., POWER	I10	109	2				2				
COLLAR B, AIR CLEANER	G16	83	8				3				
	H1	84	8				4				
	H2	85	8				4				

PART NAME INDEX

M 3

Part name	Address	Page	Ref.	Part name	Address	Page	Ref.	Part name	Address	Page	Ref.
FLOAT SET	G11	78	3	GROMMET, AIR CLEANER	H3	86	15	[J]			
	G13	80	3		H4	87	4	JET SET, PILOT,	G8	75	27
FLYWHEEL COMP.	15	104	4	GROMMET, CHOKE ROD	G10	77	26		G10	77	44
			5		G12	79	27		G12	79	46
			6	GROMMET, CONTROL BOX	J11	126	17		G14	81	39
	16	105	10	GROMMET, CORD	18	107	4	JET, MAIN,	G7	74	26
			11		I10	109	6		G8	75	26
			12	GROMMET, DRAIN HOLE	F14	65	5		G10	77	43
FRAME COMP., COMMUTATOR END ..	I15	114	16	GROMMET, FENDER	G10	77	30		G12	79	45
FUSE, BLADE	J8	123	25		G12	79	31		G14	81	38
	J10	125	22	GUIDE, CHOKE ROD	G10	77	27	JOINT, FUEL TANK	H16	99	2
	K5	136	9		G12	79	28	JOINT, ROD	G9	76	19
FUSE, MINI	J11	126	23	GUIDE, EX. VALVE	E1	36	3		G11	78	20
				GUIDE, IN. VALVE	E1	36	2	[K]			
[G]				GUIDE, PRE AIR CLEANER	H1	84	12	KEY ASSY., COMBINATION SWITCH ..	J11	126	10
GASKET KIT	K8	139	1	GUIDE, PUSH ROD	F6	57	15	KEY COMP.	J7	122	11
GASKET SET	F16	67	1		F7	58	15		J9	124	11
	G9	76	1	[H]					J11	126	9
	G11	78	1	HANDLE, BOX WRENCH	K3	134	4	KEY, 6.3X6.3X43	K5	136	6
	G13	80	1	HARNESS ASSY., ENGINE WIRE	I9	108	19		E15	50	7
GASKET, CYLINDER HEAD	E1	36	5		I10	109	9	KEY, 7X7X33	J15	130	9
GASKET, EX. PIPE	H7	90	6	HARNESS ASSY., SUB WIRE	J8	123	29		E15	50	7
	H8	91	17		J9	124	6		J12	127	7
	H9	92	4	HARNESS, SUB WIRE	J6	121	7	KEY, CLUTCH CENTER	J13	128	19
	H10	93	12		J9	124	7	KEY, SPECIAL WOODRUFF, 25X18 ..	K5	136	8
	H11	94	3	HEAD COMP., CYLINDER	E1	36	1		J13	128	20
			11	HOLDER, BRUSH	I13	112	14		I6	105	8
	H12	95	6		I15	114	19	[L]			
	H13	96	7	HOLDER, CABLE	G8	75	29	LABEL, AIR CLEANER CAUTION	K2	133	7
	H15	98	2		J2	117	11		K6	137	5
	K4	135	5	HOLDER, CLUTCH SPRING	J4	119	28	LABEL, FUSE	J11	126	13
GASKET, MUFFLER	H8	91	8	HOLDER, CLUTCH WEIGHT	J13	128	11	LENS ASSY., PROTECTOR	J7	122	13
			9	HOLDER, GOVERNOR WEIGHT	E9	44	8	LEVER COMP., CHOKE	G5	72	18
	H9	92	5		E11	46	8	LEVER COMP., SOLENOID THROTTLE	J5	120	5
	H10	93	5	HOLDER, STOP SWITCH CORD	E14	49	8	LEVER, CHOKE	G9	76	18
			10	HOLDER, WIRE	18	107	8		G11	78	19
	H12	95	8	HOUSING COMP., DRIVE SIDE	G8	75	31	LEVER, CHOKE CONTROL	G13	80	14
	H14	97	10		J4	119	29	LEVER, COCK	G6	73	19
			11	[I]					G14	81	31
GAUGE ASSY., FUEL	I3	102	24	INDICATOR ASSY.	J11	126	11	LEVER, CONTROL	J2	117	8
	I4	103	28	INSULATOR	I13	112	16	LEVER, MANUAL START	G14	81	28
GAUGE, OIL LEVEL	J13	128	17	INSULATOR, BRUSH HOLDER	I15	114	20	LEVER, PINION DRIVE	I15	114	4
GEAR, DRIVE PINION	I12	111	8	INSULATOR, CARBURETOR	G4	71	14	LIFTER, VALVE	F5	56	5
GEAR, MIDDLE	G13	80	12		G8	75	28	[M]			
GEAR, PRIMARY DRIVE	J15	130	3		G9	76	13	MARK, AIR CLEANER SALES POINT ..	K2	133	8
GEAR, REDUCTION	I13	112	13		G11	78	13	MARK, CHOKE	K1	132	4
GOVERNOR ASSY.	E9	44	6		G13	80	24		K2	133	10
	E11	46	6	INSURATOR, CONTROL BASE	J4	119	34		K6	137	2
	E12	47	6						K7	138	10
	E14	49	6						J7	122	14
GRIP, REINFORCEMENT	F11	62	14					MARK, CONTROL BOX			
	F12	63	12								
GRIP, STARTER	F10	61	9								
	F11	62	13								
	F12	63	10								
GROMMET, AIR CLEANER	G16	83	5								
	H1	84	6								
	H2	85	5								



PART NAME INDEX

M 4

Part name	Address	Page	Ref.	Part name	Address	Page	Ref.	Part name	Address	Page	Ref.
MARK, CONTROL BOX	J9	124	12	NUT, FLANGE, 8MM	I2	101	8	PACKING, INSULATOR	G5	72	17
MARK, ENGINE SWITCH	J11	126	14	NUT, HEX.	I15	114	18		G9	76	15
	K2	133	12	NUT, HEX., 4MM	J8	123	22		G11	78	15
MARK, EX. CAUTION	K2	133	14		J10	125	19		G13	80	25
	K7	138	8	NUT, HEX., 5MM	K10	141	10	PACKING, OIL FILLER CAP	E9	44	5
			9	NUT, HEX., 8MM	I15	114	17		E10	45	17
MARK, FUEL	K2	133	18	NUT, PIVOT ADJUSTING	F7	58	17		E11	46	5
MARK, FUEL INDICATION	K2	133	13	NUT, PUSH	F12	63	15				19
MARK, HONDA	K2	133	17	NUT, SELF-LOCK, 6MM	J4	119	20		E12	47	5
MARK, OIL CAUTION	J11	126	24	NUT, SPECIAL, 16MM	I5	104	7		E14	49	5
MARK, OPERATOR CAUTION	J16	131	1		I6	105	7	PACKING, REDUCTION COVER	J13	128	3
	K2	133	9	NUT, TANK MOUNTING	I2	101	15	PANEL COMP., CONTROL	J6	121	4
			15	NUT, TOOL BOX SETTING	G16	83	11		J9	124	5
	K6	137	1		H1	84	15	PANEL, CONTROL	J11	126	6
			6		H2	85	11	PIN, GOVERNOR WEIGHT	E10	45	9
			7		H6	89	12		E11	46	9
MARK, SALES POINT	K2	133	19						E12	47	9
MARK, THROTTLE INDICATION	K2	133	5	[O]					E14	49	9
	K6	137	4					PIN, LOCK, 10MM	E6	41	12
MOTOR ASSY., STARTER	I12	111	1	OIL SEAL, 30X46X8	E6	41	8	PIN, PISTON	F3	54	3
	I15	114	3		E10	45	13	PIN, SPRING, 2X12	G7	74	25
MUFFLER COMP.	H7	90	1		E13	48	13	PIN, SPRING, 2X6	J5	120	10
	H9	92	1		E14	49	14	PIPE, EX.	H7	90	4
	H11	94	1		J12	127	8		H8	91	16
	H12	95	1		J13	128	21		H9	92	3
	H13	96	1		J15	130	10		H11	94	2
	K4	135	1	OIL SEAL, 30X50X7	J13	128	22		H12	95	4
			11	O-RING	G13	80	23		H13	96	6
				O-RING, 14MM	E6	41	9		H15	98	1
[N]					I1	100	7	PISTON	F2	53	2
NETTING, WIRE FLANGE	H11	94	6	O-RING, 26X2.7	J13	128	23		F3	54	2
NOSE, SILENCER	G16	83	6	O-RING, 37.9X2.4	E7	42	21	PIVOT, ROCKER ARM	F5	56	6
	H2	85	6	[P]				PLATE	G13	80	15
			13	PACKING	I14	113	22	PLATE COMP., CLUTCH PRESSURE ..	J13	128	7
	H4	87	5	PACKING, AIR CLEANER	G10	77	23	PLATE, CLUTCH	J13	128	6
NOZZLE, MAIN	G3	70	11		G11	78	24	PLATE, COOLING FAN SETTING	I6	105	9
	G9	76	11	PACKING, AIR CLEANER CASE	H5	88	9	PLATE, LEVER SETTING	G6	73	20
	G11	78	11	PACKING, AIR CLEANER COVER	H1	84	4		G14	81	32
	G13	80	21	PACKING, CARBURETOR	G4	71	16	PLATE, SET	K10	141	6
NUT-WASHER, 6MM	I14	113	24		G9	76	14	PLUG, INNER CONNECTOR	I10	109	10
NUT-WASHER, 8MM	I15	114	21		G11	78	14	PLUG, OUTER CONNECTOR	I10	109	11
NUT, AIR CLEANER COVER	H6	89	11		G14	81	27	PLUG, SPARK	E4	37	15
NUT, FLANGE, 10MM	E6	41	10	PACKING, CASE COVER	E8	43	2		E4	38	15
NUT, FLANGE, 5MM	H3	86	11		E11	46	2	PROTECTOR COMP., MUFFLER	H7	90	2
NUT, FLANGE, 6MM	F12	63	16		E12	47	1		H9	92	2
	G16	83	12		E14	49	2	PROTECTOR, CIRCUIT	H13	96	2
	H1	84	16	PACKING, CHAIN CASE COVER	J12	127	2	PROTECTOR, EX. PIPE	J7	122	12
	H2	85	12		J15	130	2		H7	90	3
	H3	86	12	PACKING, ELBOW	G15	82	1		H8	91	15
			13		H1	84	1		H10	93	15
	H6	89	14		H2	85	1	PROTECTOR, L. MUFFLER	H13	96	3
	J4	119	24	PACKING, FUEL COCK	G6	73	22	PROTECTOR, MUFFLER INNER	K4	135	3
NUT, FLANGE, 8MM	H8	91	13		G14	81	34	PROTECTOR, MUFFLER OUTER	K4	135	2
	H10	93	8	PACKING, FUEL FILLER CAP	I1	100	5	PROTECTOR, R. MUFFLER	H12	95	2
	H11	94	8	PACKING, FUEL STRAINER CUP	G4	71	13	PULLEY COMP., STARTER	I5	104	2
	H12	95	12		G13	80	22	PULLEY, RECOIL STARTER	F9	60	3
	H14	97	16	PACKING, HEAD COVER	E2	37	7		F12	63	4
	H15	98	3					PULLEY, STARTER	I5	104	3

PART NAME INDEX

M 5

Part name	Address	Page	Ref.	Part name	Address	Page	Ref.	Part name	Address	Page	Ref.
[R]				SCREW SET, PILOT	G1	68	5	SEAL, ELECTRONIC CONTROL UNIT COVER	I11	110	1
RATCHET, STARTER	F9	60	4	SCREW, CENTER	G13	80	5	SEAL, MUFFLER PROTECTOR	K4	135	4
	F12	63	5	SCREW, FLAT, 5X10	F11	62	11	SEAL, VALVE STEM	F5	56	1
RECTIFIER ASSY., REGULATOR ...	J8	123	28	SCREW, PAN, 3X12	F12	63	14	SEAT, VALVE SPRING	F6	57	13
	J9	124	1	SCREW, PAN, 3X6	I3	102	25	SEPARATOR, AIR CLEANER	H3	86	3
RECTIFIER ASSY., SILICON	J6	121	5	SCREW, PAN, 4X12	J8	123	20	SHAFT	I14	113	18
	K5	136	3	SCREW, PAN, 4X6	G6	73	24	SHAFT COMP., P.T.O.	J13	128	15
RECTIFIER COMP.	J11	126	5	SCREW, PAN, 5X12	G14	81	37	SHAFT, GOVERNOR ARM	E5	40	3
RETAINER, EX. VALVE SPRING ...	F6	57	12	SCREW, PAN, 5X16	J8	123	21	SHAFT, P.T.O.	J12	127	5
RETAINER, IN. VALVE SPRING ...	F6	57	11	SCREW, PAN, 6X8	J9	124	18	SHIM A	J15	130	5
			12	SCREW, PAN, 6X12	G8	75	35	SHIM B	J15	130	6
RETAINER, SPRING	F10	61	8	SCREW, PAN, 6X16	J4	119	31	SHROUD	F14	65	3
	F12	63	9	SCREW, PAN, 5X16.5	G10	77	35	SHROUD COMP., UPPER	F15	66	3
RING SET, PISTON	E16	51	1	SCREW, PAN, 5X28	G12	79	36	SLIDER, GOVERNOR	J4	119	35
	F1	52	1	SCREW, PAN, 5X35	J4	119	22		E10	45	10
	F2	53	1	SCREW, PAN, 5X35	J4	119	23		E11	46	10
RING, SNAP	I12	111	2	SCREW, PAN, 5X8	J4	119	23		E12	47	10
	I15	114	1	SCREW, PAN, RECESSED, 5X25	J5	120	9		E14	49	10
ROD ASSY., CONNECTING	F3	54	4	SCREW, RECESSED, 6X12	J3	118	19	SOLENOID ASSY.	J5	120	6
	F4	55	4	SCREW, SPECIAL, 6X12	J7	122	16	SPACER COMP., CARBURETOR	G4	71	15
ROD, CHOKE	G9	76	20	SCREW, SPECIAL, 6X8	J9	124	14		G14	81	26
	G11	78	21	SCREW, STOP	J11	126	16	SPACER, CONTROL LEVER	J2	117	12
ROD, CHOKE CONTROL	G10	77	25	SCREW, TAPPING,	G13	80	20	SPACER, MUFFLER COVER	K10	141	7
	G12	79	26	SCREW, TAPPING, 4X14	F14	65	11	SPANNER, 10X12	K3	134	5
ROD, GOVERNOR	I16	115	2	SCREW, TAPPING, 4X6	J11	126	22	SPANNER, 14X17	K3	134	6
ROD, PUSH	F5	56	3		H8	91	12	SPRING	I13	112	17
ROPE, RECOIL STARTER	F10	61	10		H10	93	11	SPRING, BRUSH	I15	114	11
	F12	63	11		H11	94	7	SPRING, BRUSH RETURN	I13	112	12
ROTATOR, VALVE	F6	57	14		H12	95	10	SPRING, CABLE RETURN	J3	118	15
RUBBER A, TANK MOUNTING	I2	101	14		H14	97	15	SPRING, CHOKE RETURN	J5	120	2
RUBBER COMP., TANK MOUNTING ..	I2	101	16					SPRING, CLUTCH FREE	J13	128	8
RUBBER, FUEL	I2	101	18					SPRING, COCK LEVER	G6	73	21
RUBBER, SUPPORTER	H16	99	1						G14	81	33
[S]								SPRING, CONTROL ADJUSTING	J2	117	14
SCREW-WASHER, 4X10	J11	126	20					SPRING, FRICTION	F10	61	5
SCREW-WASHER, 4X20	I11	110	3	SCREW, TAPPING, 4X8	K4	135	7		F12	63	6
	J11	126	21	SCREW, TAPPING, 5X20	K4	135	7	SPRING, GOVERNOR	I16	115	3
SCREW-WASHER, 4X6	I14	113	20	SCREW, TAPPING, 5X25	K10	141	9		K5	136	2
SCREW-WASHER, 4X8	J11	126	19	SCREW, TAPPING, 5X8	H8	91	11	SPRING, LEVER	J2	117	9
SCREW-WASHER, 5X12	G12	79	37		H10	93	7	SPRING, MANUAL CHOKE	G10	77	22
	K10	141	11					SPRING, RATCHET	G11	78	23
SCREW-WASHER, 5X16	G8	75	36					SPRING, RETURN	F10	61	7
SCREW-WASHER, 5X32	I14	113	23						F12	63	8
SCREW-WASHER, 6X20	K10	141	12					SPRING, STARTER RETURN	G8	75	32
SCREW SET	G1	68	5					SPRING, THROTTLE RETURN	F10	61	6
	G2	69	7						F12	63	7
	G9	76	5	SCREW, TAPPING, 6X10	H14	97	14	SPRING, THROTTLE RETURN	J1	116	4
			7		K10	141	8	SPRING, TORSION COIL	G13	80	16
			7		H10	93	6	SPRING, VALVE	F6	57	10
	G11	78	5	SCREW, THROTTLE STOP	H14	97	12	SPRING, WEIGHT RETURN	F5	56	7
			7		G3	70	10	SPROCKET COMP., DRIVE	J13	128	13
	G13	80	7		G9	76	9	SPROCKET, DRIVE	J12	127	4
			19		G11	78	9	STARTER ASSY., RECOIL	F8	59	1
SCREW SET, DRAIN	G2	69	6	SEAL, AIR CLEANER	H3	86	9		F12	63	1
	G9	76	6	SEAL, CHOKE LEVER	G10	77	32	STAY ASSY., CHOKE CONTROL	G8	75	30
	G11	78	6		G12	79	33	STAY ASSY., MANUAL CHOKE	G9	76	16
	G13	80	6						G11	78	17

PART NAME INDEX

Part name	Address	Page	Ref.	Part name	Address	Page	Ref.	Part name	Address	Page	Ref.
STAY COMP., SOLENOID	G9	76	17	[V]							
	G11	78	18	VALVE ASSY., SOLENOID	G11	78	16				
STAY, AIR CLEANER	H3	86	5		K5	136	7				
STAY, MUFFLER COVER	K9	140	5	VALVE SET, FLOAT	F16	67	2				
STAY, SOLENOID THROTTLE	J5	120	4		G9	76	2				
STOPPER, CHOKE ROD	G10	77	21		G11	78	2				
	G11	78	22		G13	80	2				
STRAINER COMP., FUEL	I2	101	13	VALVE, DASHPOT CHECK	G10	77	28				
STRAP, CABLE, 118MM	J8	123	18		G12	79	29				
	J9	124	16	VALVE, EX.	F5	56	9				
SUB HARNESS	F14	65	8	VALVE, IN.	F5	56	8				
SUSPENSION, COUPLER	J6	121	6								
	K5	136	4	[W]							
SWITCH ASSY., COMBINATION	J7	122	10	WASHER COMP., HEAD COVER	E2	37	10				
	J9	124	10	WASHER, 6X16	E14	49	11				
	J11	126	8	WASHER, 8MM	J12	127	6				
	K5	136	5		J15	130	8				
SWITCH ASSY., ENGINE STOP	F14	65	4	WASHER, 8.2X17X0.8	E5	40	7				
			7	WASHER, CHOKE LEVER	G10	77	31				
			9		G12	79	32				
			10	WASHER, CONTROL LEVER	J2	117	10				
SWITCH ASSY., MAGNET	I15	114	5	WASHER, DRAIN PLUG, 12MM	E6	41	11				
SWITCH ASSY., OIL LEVEL	E4	39	2		J14	129	26				
	E5	40	2	WASHER, PLAIN, 4MM	J8	123	23				
	E7	42	16		J10	125	20				
			18	WASHER, PLAIN, 5MM	G10	77	36				
SWITCH, THERMO	K5	136	1		G12	79	38				
					K10	141	13				
[T]				WASHER, PLAIN, 6MM	E10	45	14				
TANK ASSY., FUEL	I3	102	23		E11	46	13				
			26		E13	48	14				
TANK COMP., FUEL	H16	99	3	WASHER, SK	E14	49	15				
	I3	102	27	WASHER, SPRING, 4MM	I14	113	21				
	I4	103	27		J8	123	24				
TOOL KIT	K3	134	1	WASHER, SPRING, 5MM	J10	125	21				
TUBE, 11X100	E3	37	13	WASHER, SPRING, 8MM	J14	129	27				
TUBE, 3.5X55	G10	77	41	WASHER, THRUST, 16.1MM	F7	58	18				
	G12	79	43	WASHER, THRUST, 25MM	J13	128	18				
TUBE, 3.5X75	G10	77	42	WASHER, THRUST, 2.7X8	G10	77	33				
	G12	79	44		G12	79	34				
TUBE, BREATHER	E3	37	13	WEIGHT, BALANCER	E15	50	6				
	E4	38	17	WEIGHT, CLUTCH	J13	128	10				
	H3	86	1	WEIGHT, GOVERNOR	E9	44	7				
TUBE, FASTENER, 30MM	J8	123	19		E11	46	7				
	J9	124	17		E12	47	7				
TUBE, FUEL, 4.5X120	I2	101	20		E14	49	7				
	I3	102	20	WIRE, WATER COVER	I13	112	15				
	I2	101	19	WRENCH COMP., SPARK PLUG	K3	134	3				
TUBE, FUEL, 4.5X150	I2	101	9	WRENCH, SPARK PLUG	K3	134	2				
TUBE, FUEL, 4.5X210	I2	101	9								
TUBE, FUEL, 4.5X222	I2	101	9	[Y]							
TUBE, FUEL, 4.5X430	I2	101	9	YOKE COMP.	I13	112	10				
					I15	114	15				
[U]											
U-RING	G14	81	30								

1

FOREWORD INDEX

2

ENGINE GROUP

3

PART NUMBER INDEX

4

PART NAME INDEX

HONDA
The Power of Dreams